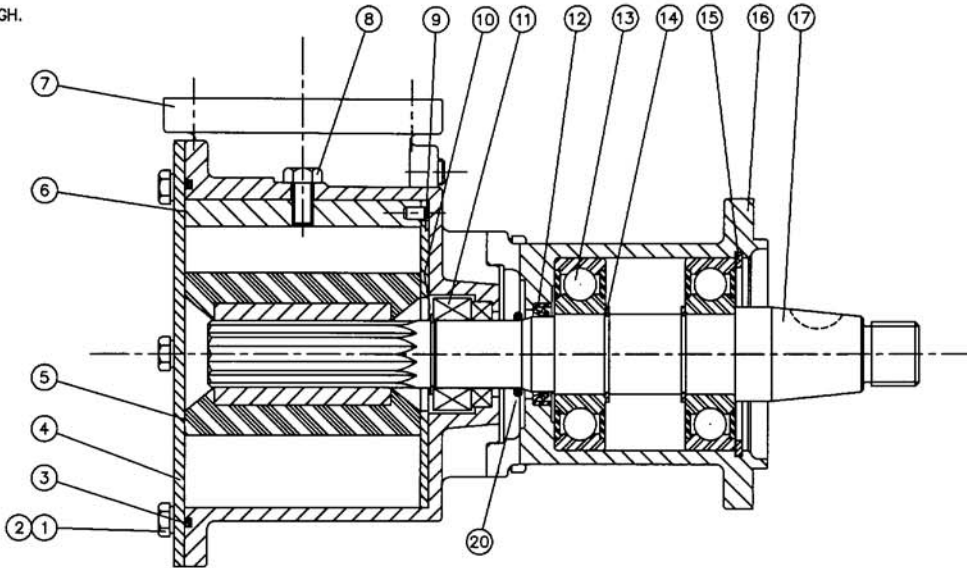
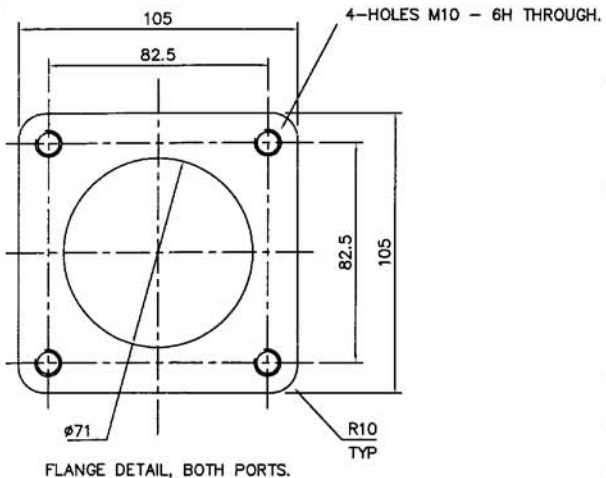
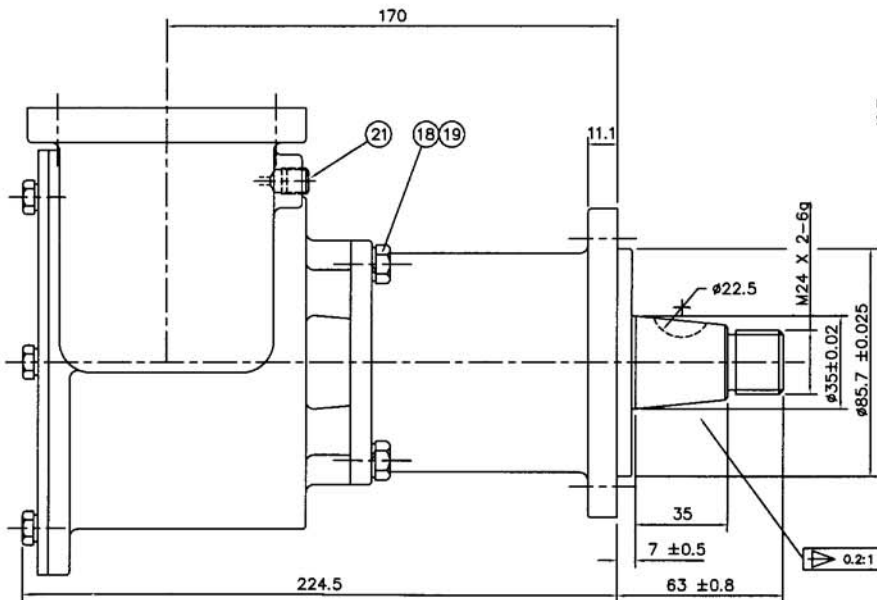
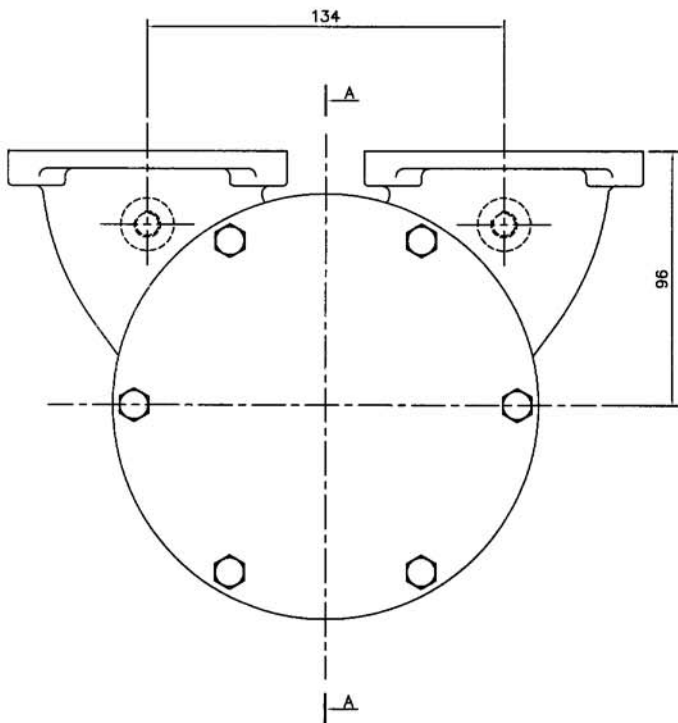


ALL DIMENSIONS IN MILLIMETRES

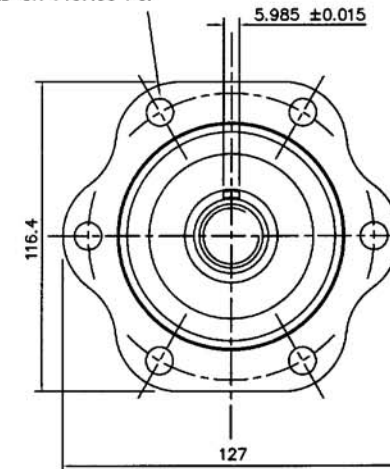


KEY	DESCRIPTION	QTY.
1	SCREW	4
2	WASHER	4
3	O-RING	1
4	END COVER	1
5	IMPELLER	1
6	SLEEVE	1
7	BODY	1
8	SCREW	1
9	WEAR PLATE	1
10	RETAINING RING	1
11	MECANICAL SEAL	1
12	SEAL	1
13	BEARING	1
14	RETAINING RING	2
15	RETAINING RING	1
16	BEARING HOUSING	1
17	SHAFT	1
18	SCREW	4
19	SPRING WASHER	4
20	O-RING	1
21	PLUG - 1/8" BSP	2

SECTION A-A



6-HOLES φ10.3 EQUALLY SPACED ON φ107.95 PC.



<p>NOTICE</p> <p>THIS DRAWING MAY REPRESENT A PROPRIETARY DESIGN OR TRADE SECRET OF JABSCO OR ITS SUPPLIERS OR MANUFACTURERS OF PARTS THEREOF. IT IS HEREBY AGREED THAT THE INFORMATION CONTAINED HEREIN IS TO BE KEPT CONFIDENTIAL AND NOT TO BE DISCLOSED TO ANY OTHER PARTY WITHOUT THE WRITTEN PERMISSION OF JABSCO.</p>		<p>REPAIRS, REPAIR PARTS, FLANGES &amp; SLEEVES FROM CUSTOMER'S EQUIPMENT &amp; INCLUDING PARTS TO BE MADE OF BRASS, TELEBRASS OR UNLESS OTHERWISE STATED.</p> <p>LINEAR ± -</p> <p>ANGULAR ± -</p> <p>PROJECTION</p>		<p>DO NOT SCALE - REPORT ERRORS</p> <p>SCALE: 1:1 DATE: MATERIAL: -</p> <p>DRAWN: B.N.S. 2/1/15</p> <p>CHECKED: APPROVED:</p>		<p>Jabco HYDRAULIC TECHNOLOGY DEPARTMENT</p> <p>HODDERSDON HEATHS ENGLAND</p> <p>TITLE: ASSEMBLY/INSTALLATION 470 PUMP</p> <p>DRAWING NO.: 28880-0001</p>	
<p>A. DESIGN &amp; DRAWING DATE</p>		<p>PROJECTION</p>		<p>APPROVED</p>		<p>A1</p>	