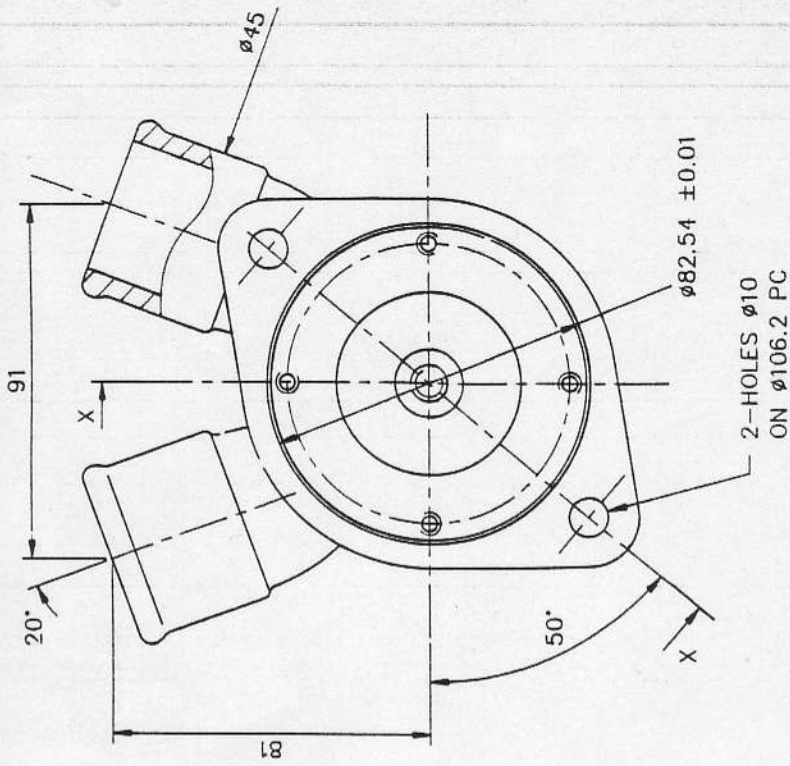
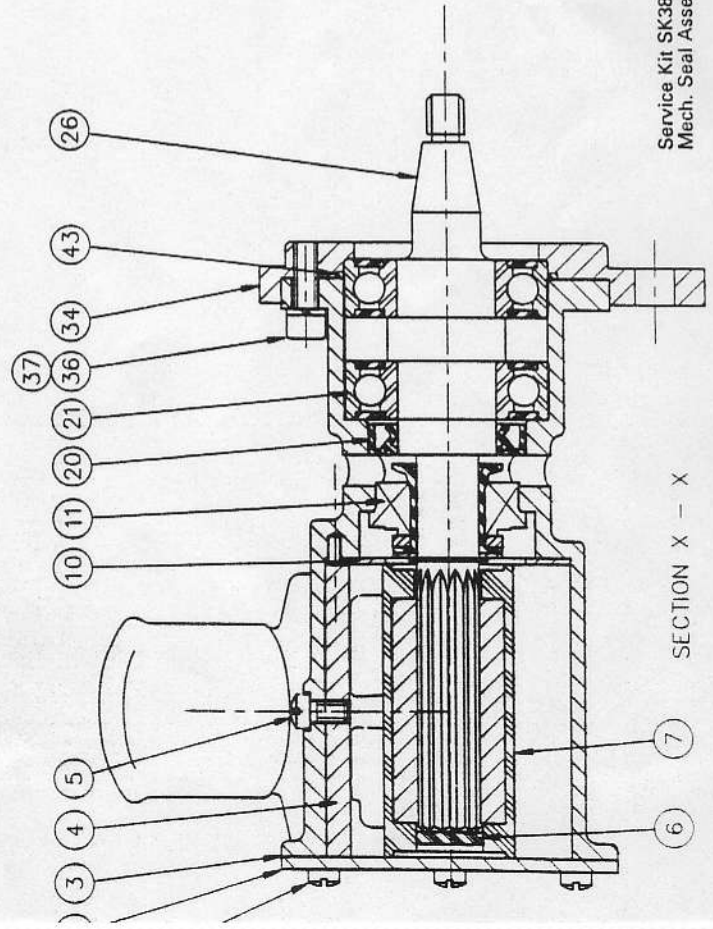
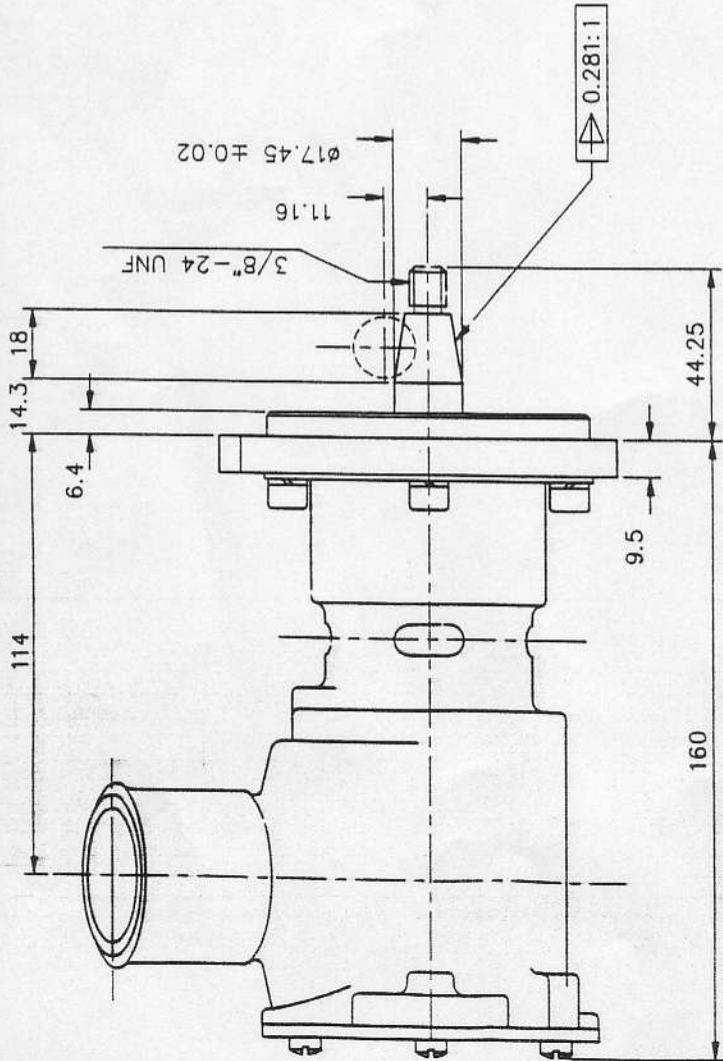


Series 29700
Size 120



KEY	DESCRIPTION	QTY	PART NUMBER MODEL 29700-1201
1	END COVER SCREW	6	SP1003-0111
2	END COVER	1	3993
3	GASKET	1	890
4	CAM	1	23341-0000
5	CAM SCREW	1	SP1004-09
6	SPLINE PLUG	1	4345
7	IMPELLER	1	17018-0001
9	BODY	1	29704-1200
10	WEARPLATE	1	4156
11	MECH. SEAL ASSY	1	22646-0000
20	LIPSEAL	1	SP2701-0903
21	BEARING	2	SP2600-11
26	SHAFT	1	29708-0000
34	ADAPTOR FLANGE	1	29705-0000
36	BOLT	4	X3007-180C
37	WASHER	4	X3081-091C
43	O-RING	1	X4020-251A



Service Kit SK386-0001 consists of: Impeller, spline plug, seal assembly, gasket, endcover screws.
Mech. Seal Assembly Key 11 consists of: retaining ring SP1700-62, washer, carbon seal (rotary), ceramic seat (stationary), gasket.

SECTION X - X