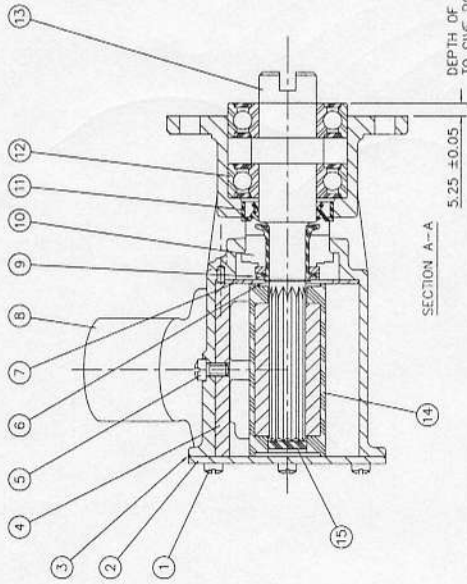


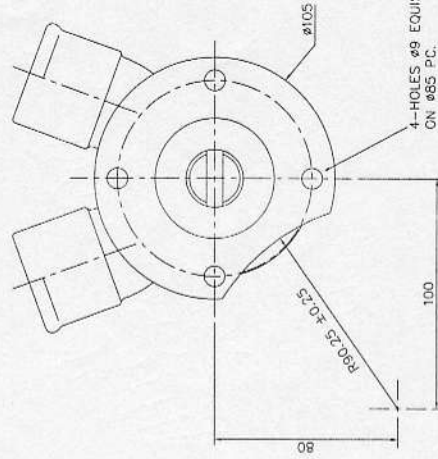
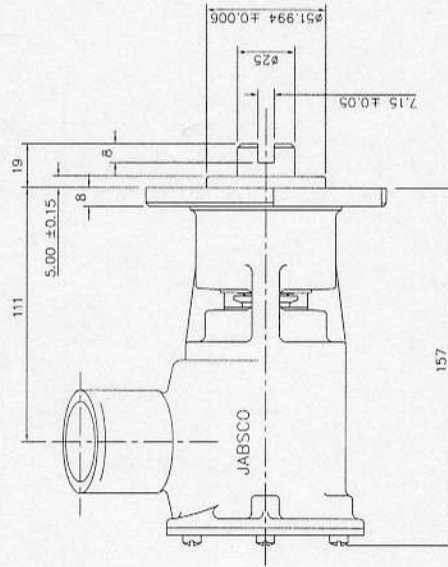
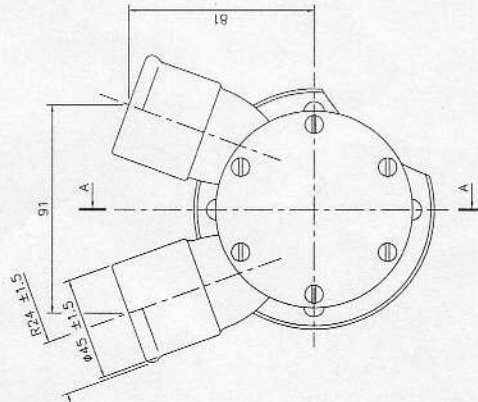
ALL DIMENSIONS IN MILLIMETRES

KEY	DESCRIPTION	QTY.	PART NUMBER
1	SCREW	6	SP1003-0111
2	ENDCOVER	1	3993
3	GASKET	1	890
4	CAM	1	23341-0000
5	SCREW	1	SP1004-09
6	RETAINING RING	1	SP1700-62
7	WEARPLATE	1	4156
8	BODY	1	29704-1300
9	SUPPORT WASHER	1	29706-0000
10	MECHANICAL SEAL	1	SP6080-0469
11	LIPSEAL	1	SP2701-0903
12	BEARING	2	SP2600-11
13	SHAFT	1	29707-0000
14	IMPELLER	1	17018-0001
15	SPURGE SEAL	1	4345



DEPTH OF RECESS REQUIRED TO GIVE POSITIVE RETENTION OF BEARING.

MODEL NUMBER	CAM
29700-1301	STANDARD FULL (1.00)
29700-1331	SPECIAL (1.10)



120 FLANGE MOUNTED PUMP

NO.	REV.	DATE	BY	CHKD.	APP'D.	DESCRIPTION
1						
2						
3						
4						
5						
6						
7						
8						
9						
10						
11						
12						
13						
14						
15						
16						
17						
18						
19						
20						
21						
22						
23						
24						
25						
26						
27						
28						
29						
30						
31						
32						
33						
34						
35						
36						
37						
38						
39						
40						
41						
42						
43						
44						
45						
46						
47						
48						
49						
50						
51						
52						
53						
54						
55						
56						
57						
58						
59						
60						
61						
62						
63						
64						
65						
66						
67						
68						
69						
70						
71						
72						
73						
74						
75						
76						
77						
78						
79						
80						
81						
82						
83						
84						
85						
86						
87						
88						
89						
90						
91						
92						
93						
94						
95						
96						
97						
98						
99						
100						

JabSCO  
 HAWAIIAN PARTS  
 DIVISION  
 1588  
 TITLE: INSTALATION ASSEMBLY  
 DRAWING NO.: 29700-120  
 A1