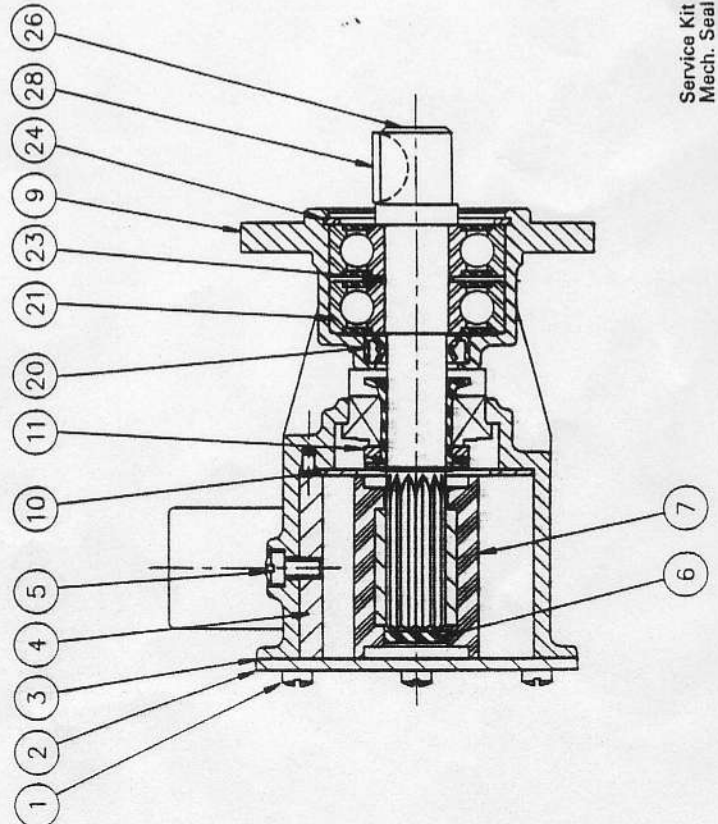
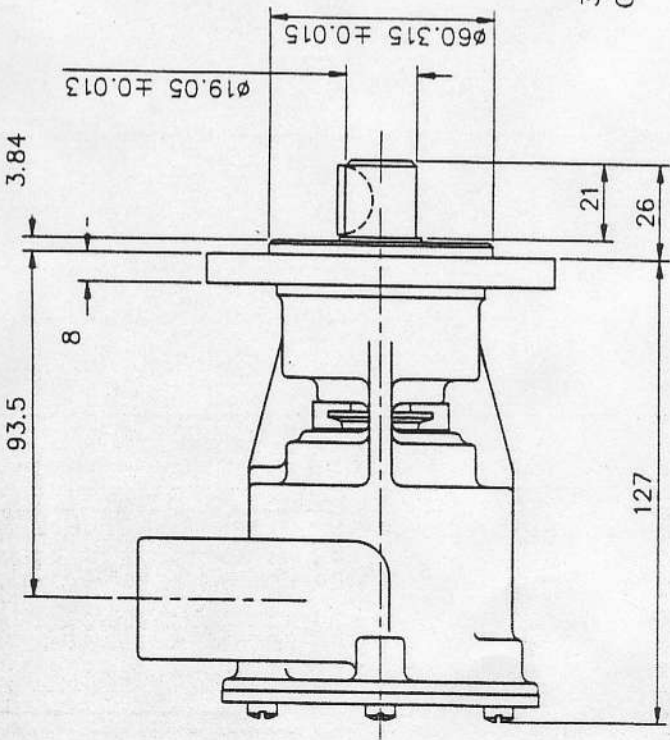
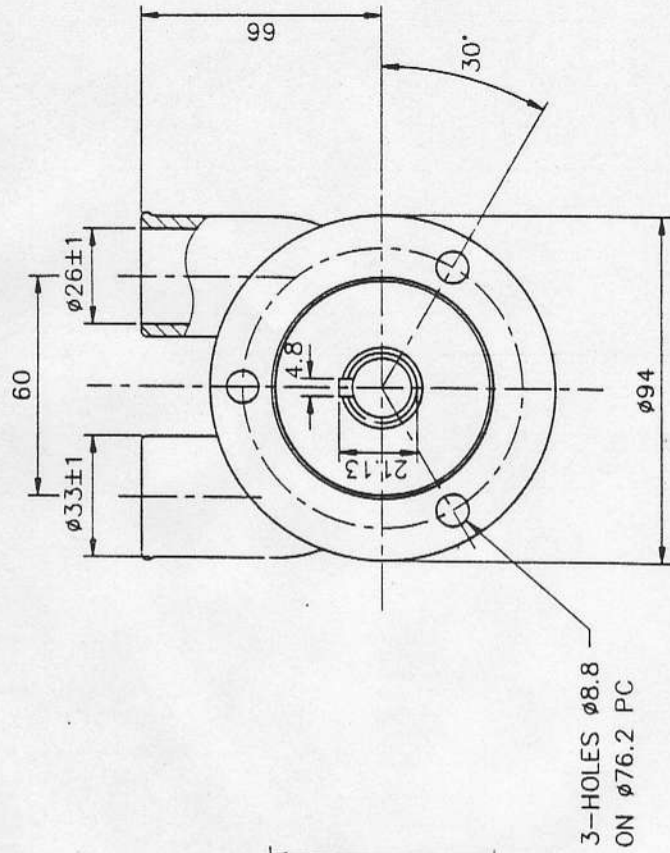


Series 29600

Size 080



KEY	DESCRIPTION	QTY	PART NUMBER
1	END COVER SCREW	6	MODEL 29600-1001
2	END COVER	1	SP1003-0111
3	GASKET	1	3993
4	CAM	1	890
5	CAM SCREW	1	934
6	SPLINE PLUG	1	SP1004-09
7	IMPELLER	1	4345
			17937-0001
9	BODY	1	29604-1000
10	WEARPLATE	1	4156
11	MECH. SEAL ASSY	1	22646-0000
20	LIP SEAL	1	SP2700-1027
21	BEARING	2	SP2600-0500
23	BEARING SPACER	1	SP1701-4437
24	RETAINING RING (INT)	1	SP1701-438
26	SHAFT	1	29607-0000
28	KEY	1	SP1402-03

Service Kit SK385-0101 consists of: Impeller, spline plug, seal assembly, gasket, endcover screws.
Mech. Seal Assembly Key 11 consists of: retaining ring SP1700-62, washer, carbon seal (rotary), ceramic seat (stationary), gasket.