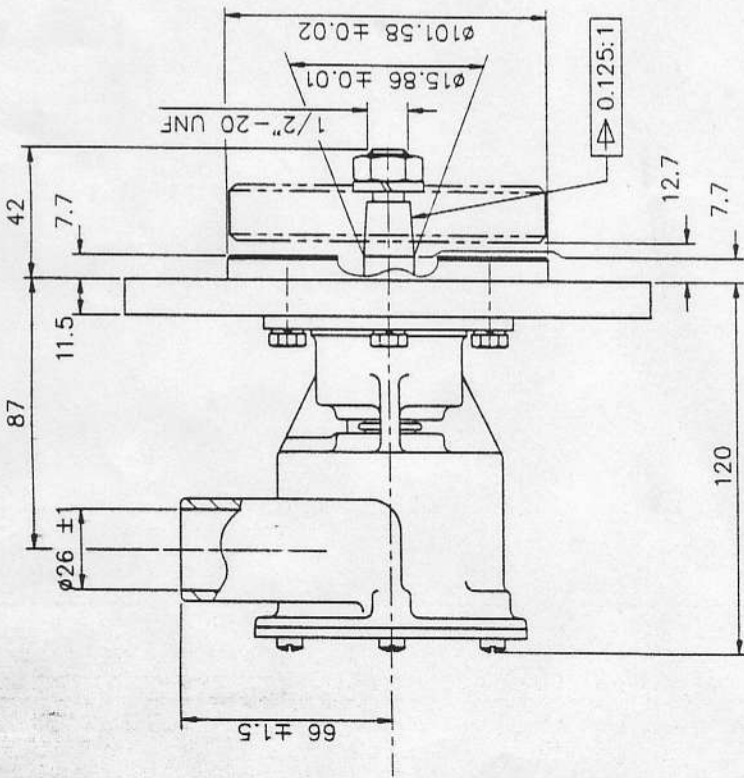
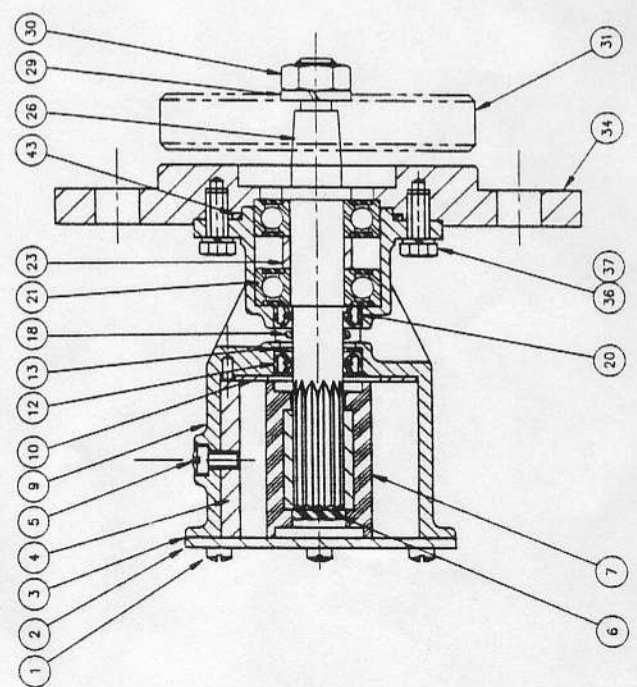


2 - HOLES $\phi 13.5$



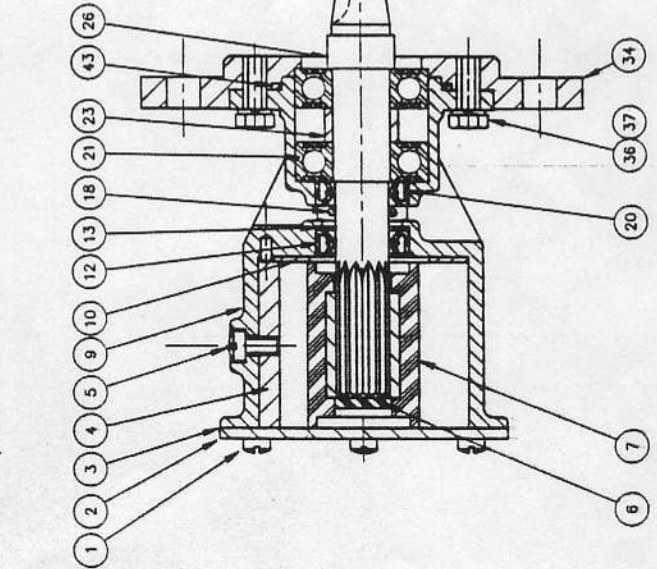
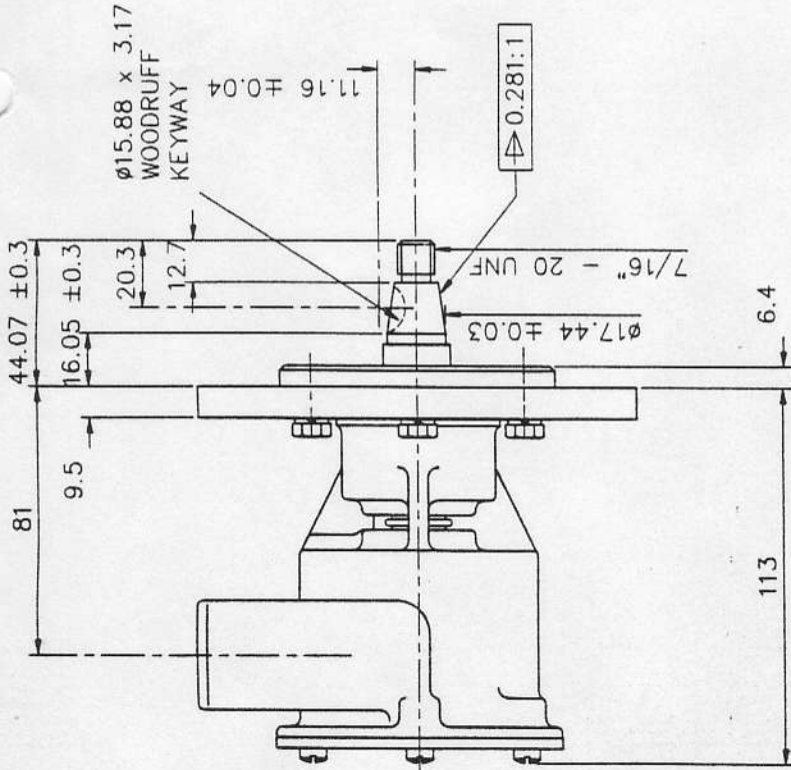
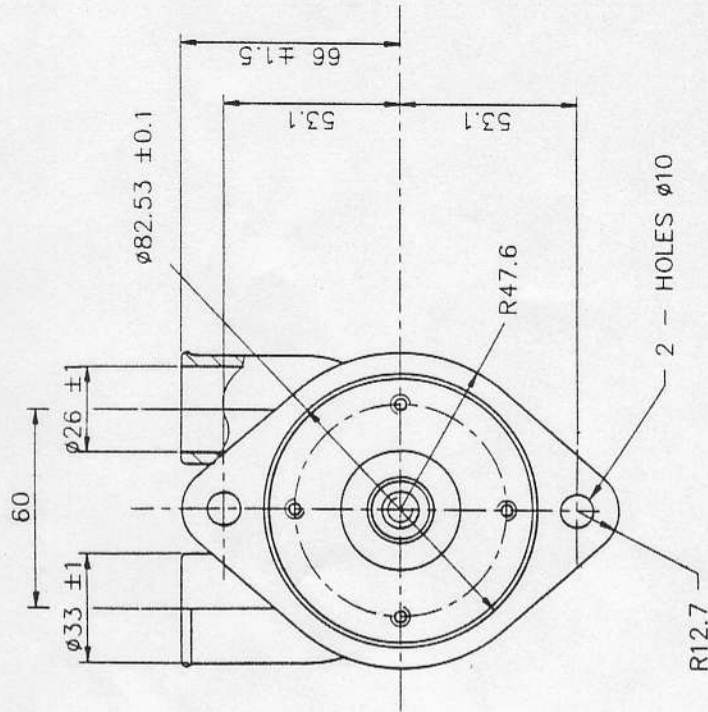
KEY	DESCRIPTION	QTY	PART NUMBER	
			MODEL 23430-1401	MODEL 23430-1501
1	END COVER SCREW	6	SP1003-0111	SP1003-0111
2	END COVER	1	3993	3993
3	GASKET	1	890	890
4	CAM	1	934	934
5	CAM SCREW	1	SP1004-09	SP1004-09
6	SPLINE PLUG	1	4345	4345
7	IMPELLER	1	17937-0001	17937-0001
9	BODY	1	23434-1000	23434-1000
10	WEARPLATE	1	4156	4156
12	PRIMARY LIP SEAL	1	SP2700-1027	SP2700-1027
13	SEAL SPACER	1	23431-0000	23431-0000
18	SLINGER	1	X4020-215A	X4020-215A
20	LIP SEAL	1	SP2700-1027	SP2700-1027
21	BEARING	2	SP2600-12	SP2600-12
23	BEARING SPACER	1	23474-0000	23474-0000
26	SHAFT	1	23478-0000	23478-0000
29	WASHER	1	11086	11086
30	NUT	1	-	-
31	GEAR* (Not JABSCO supply)	1	*CUMMINS P No.	3905665
34	ADAPTOR FLANGE	1	23475-0000	23475-0000
36	BOLT	4	X3001-180C	X3001-180C
37	WASHER	4	X3081-091C	X3081-091C
43	O-RING	1	X4020-249A	X4020-249A



Service Kit: SK385-0001
contains: impeller, spline plug, gasket, seal, endcover screws.

Series 23430

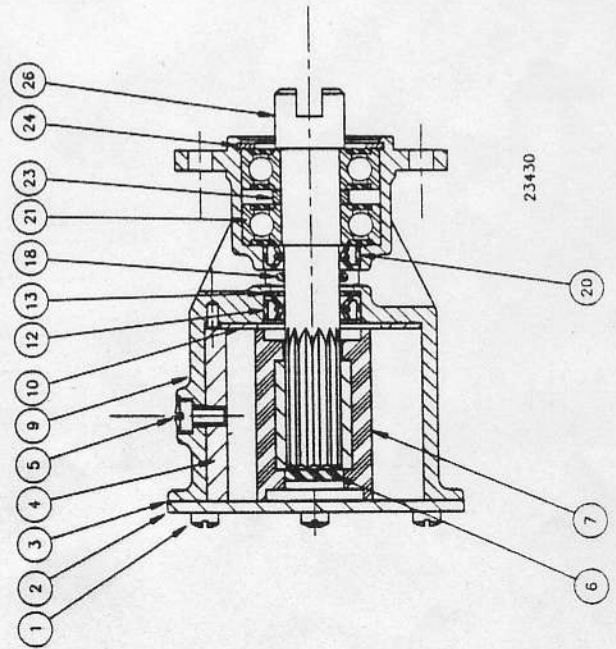
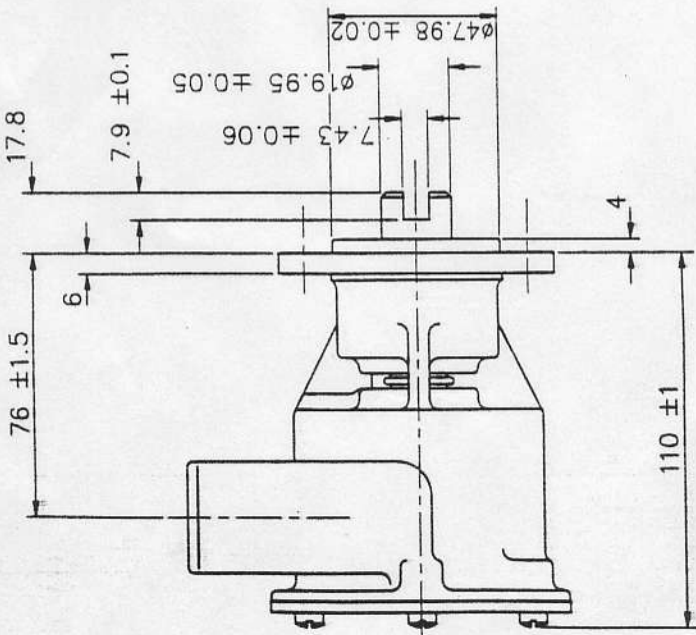
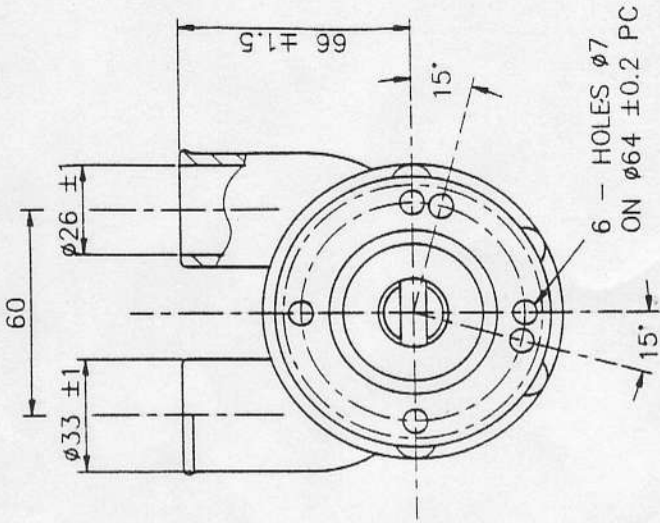
Size 080



KEY	DESCRIPTION	QTY	PART NUMBER	
			MODEL 23430-1201	MODEL 23430-1251
1	END COVER SCREW	6	SP1003-0111	SP1003-0111
2	END COVER	1	3993	3993
3	GASKET	1	890	890
4	CAM	1	934	2431
5	CAM SCREW	1	SP1004-09	SP1004-10
6	SPLINE PLUG	1	4345	4345
7	IMPELLER	1	17937-0001	17937-0001
9	BODY	1	23434-1000	23434-1000
10	WEARPLATE	1	4156	4156
12	PRIMARY LIP SEAL	1	SP2700-1027	SP2700-1027
13	SEAL SPACER	1	23431-0000	23431-0000
18	SLINGER	1	X4020-215A	X4020-215A
20	LIP SEAL	1	SP2700-1027	SP2700-1027
21	BEARING	2	SP2600-12	SP2600-12
23	BEARING SPACER	1	23474-0000	23474-0000
26	SHAFT	1	23477-0000	23477-0000
34	ADAPTOR FLANGE	1	23473-0000	23473-0000
36	BOLT	4	X3001-180C	X3001-180C
37	WASHER	4	X3081-091C	X3081-091C
43	O-RING	1	X4020-249A	X4020-249A

Service Kit: SK385-0001
contains: Impeller, spline plug, gasket, seal, endcover screws.

Series 23430
Size 80



KEY	DESCRIPTION	QTY	PART NUMBER	
			MODEL	MODEL
1	END COVER SCREW	6	23430-1101	23430-1151
2	END COVER	1	SP1003-0111	SP1003-0111
3	GASKET	1	3993	3993
4	CAM	1	890	890
5	CAM SCREW	1	934	2431
6	SPLINE PLUG	1	SP1004-09	SP1004-10
7	IMPELLER	1	4345	4345
9	BODY	1	17937-0001	17937-0001
10	WEARPLATE	1	23434-1000	23434-1000
12	PRIMARY LIPSEAL	1	4156	4156
13	SPACER	1	SP2700-1027	SP2700-1027
18	SLINGER	1	23431-0000	23431-0000
20	LIPSEAL	1	X4020-215A	X4020-215A
21	BEARING	1	SP2700-1027	SP2700-1027
23	BEARING SPACER	2	SP2600-12	SP2600-12
24	RETAINING RING (INT)	1	SP1603-1408	SP1603-1408
26	SHAFT	1	SP1700-284	SP1700-284
			23437-0000	23437-0000

Service Kit: SK385-0001
contains: Impeller, spline plug, gasket, seal, endcover screws.