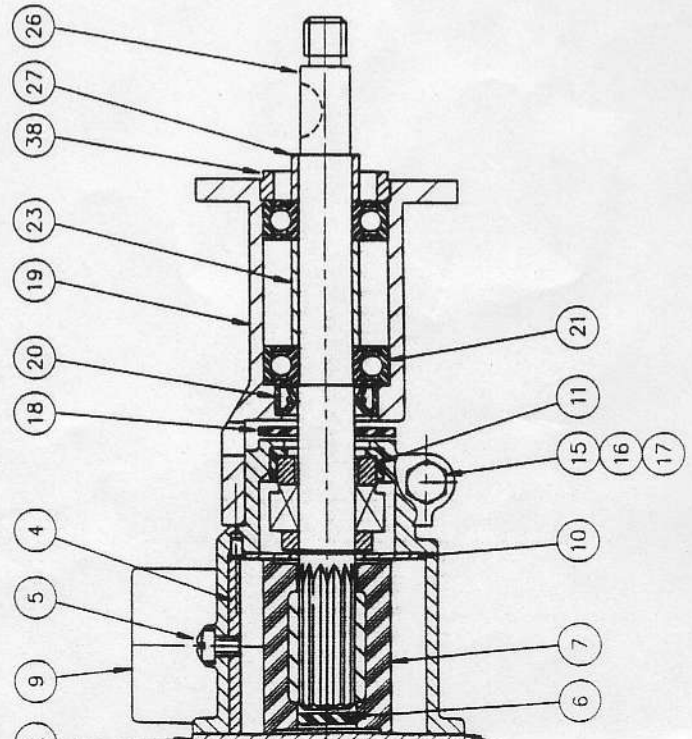
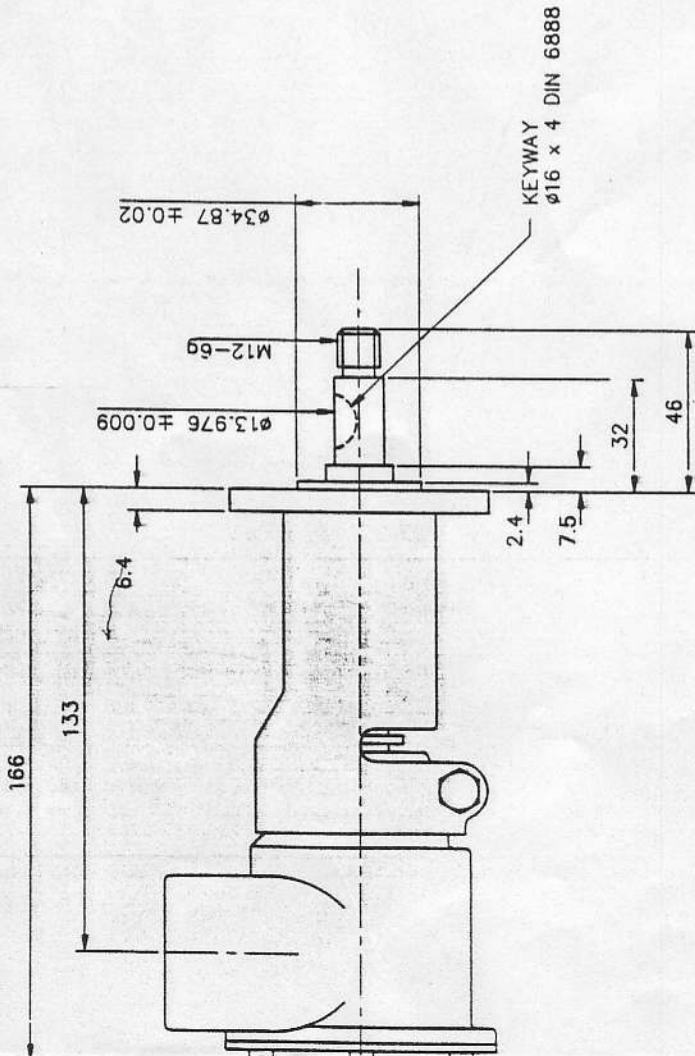
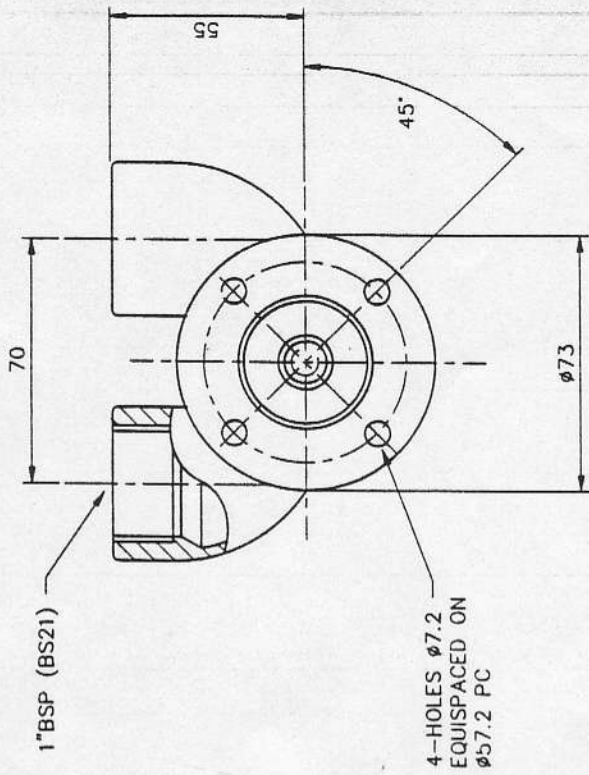


Series 22220

Size 060



KEY	DESCRIPTION	QTY	PART NUMBER MODEL 22220-241
1	END COVER SCREW	6	SP1002-02
2	END COVER	1	3992
3	GASKET	1	3298
4	CAM	1	22318
5	CAM SCREW	1	SP1004-11
6	SPLINE PLUG	1	4345
7	IMPELLER	1	22120-0001
9	BODY	1	22224
10	WEARPLATE	1	7883
11	MECH. SEAL ASSY	1	22617-0010
15	NUT	1	SP1105-03
16	BOLT	1	SP1095-09
17	WASHER	1	SP1602-06
18	SLINGER	1	3180
19	BEARING HOUSING	1	22229
20	LIP SEAL	1	SP2701-21
21	BEARING	2	SP2600-13
23	BEARING SPACER	1	22226
26	SHAFT	1	22227
27	SLEEVE	1	10375
38	ADAPTOR RING	1	3376

Service Kit SK334 consists of: Impeller, spline plug, seal assembly, gasket, endcover screws.
Mech. Seal Assembly Key 11 consists of: retaining ring SP1700-62, spacer, carbon seal (rotary), ceramic seat (stationary), gasket.