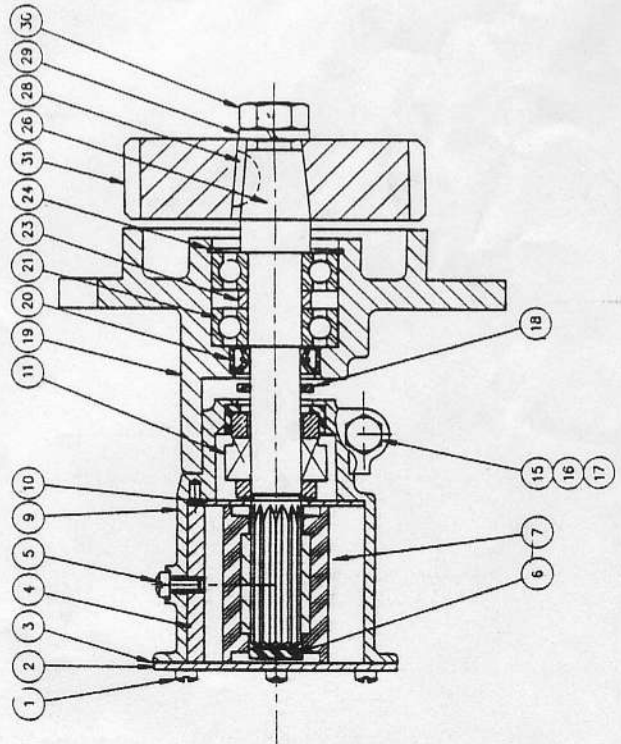


KEY	DESCRIPTION	QTY	PART NUMBER	
			MODEL 21140-2401	MODEL 21140-2601
1	END COVER SCREW	6	SP1003-09	SP1003-09
2	END COVER	1	3993	3993
3	GASKET	1	890	890
4	CAM	1	934	934
5	CAM SCREW	1	SP1004-09	SP1004-09
6	SPLINE PLUG	1	4345	4345
7	IMPELLER	1	17937-0001	17937-0001
9	BODY	1	10329-200	10329-200
10	WEARPLATE	1	4156	4156
11	MECH. SEAL ASSY	1	22617-0010	22617-0010
15	NUT	1	SP1105-03	SP1105-03
16	BOLT	1	SP1095-09	SP1095-09
17	WASHER	1	SP1602-06	SP1602-06
18	SLINGER	1	3180	3180
19	BEARING HOUSING	1	10959-0001	10959-0001
20	LIP SEAL	1	SP2701-21	SP2701-21
21	BEARING	2	SP2601-01	SP2601-01
23	BEARING SPACER	1	22958-0000	22958-0000
24	RETAINING RING (INT)	1	SP1700-250	SP1700-250
26	SHAFT	1	23377-0010	23377-0010
28	KEY	1	SP1401-10	SP1401-10
29	WASHER	1	11085	11085
30	NUT	1	11086	11086
31	GEAR	1	1789506*	1789506*
	FORD P. No.* DORSET		6107133*	6107133*
	Not JABSCO fitted DOVER			



Service Kit SK229 consists of: Impeller, spline plug, seal assembly, gasket, endcover screws.  
Mech. Seal Assembly Key 11 consists of: retaining ring SP1700-62, spacer, carbon seal (rotary), ceramic seat (stationary), gasket.