



Models 18753-0335
43670-0004

Models 18753-0335, 43670-0004

SECONDARY
REMOTE CONTROL KITS
5", 7" & 8" CHROME SEARCHLIGHTS
146 SL and 255 SL SEARCHLIGHTS
43670-0004 (12 Volt) or 18753-0335 (24 Volt)

INSTALLATION INSTRUCTIONS

- 1) Mount searchlight and control per product data sheet.
- 2) Mount station selector panel near the primary control. (Flybridge or lower)
- 3) Cut a 2" x 1-3/8" opening for the station selector panel within a 1 foot radius of the control.
- 4) Route secondary control cable from station selector panel to secondary control location. (Cable acquired separately)
- 5) Insert station selector panel thru mounting hole and attach connectors to mating connectors from controls and searchlight. The connector marked "flybridge" to go to the flybridge control and the connector marked "lower" to go to the lower control. The connector to the nearest control can be plugged directly into the control. See diagram on reverse side.
- 6) Use bedding compound or sealant to waterproof station selector panel mounting.
- 7) Secure panel with self tapping screws provided.
- 8) Mount secondary control per instructions.

SECONDARY
CONTROL MOUNTING
43670-0004 (12 Volt) or
18753-0335 (24 Volt)

Mount secondary control in same manner as main control. Mount station selector panel near the main control (flybridge or lower).

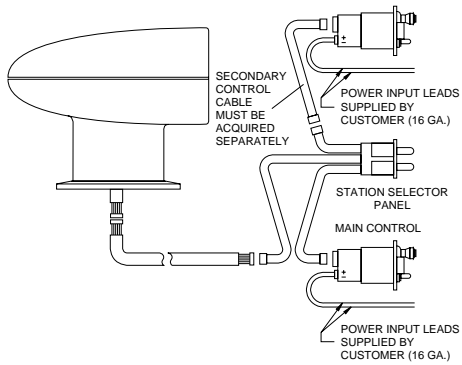
- 1) Cut a 2" x 1-3/8" (51mm x 35mm) opening for station selector panel within a 1 foot radius of the control.
- 2) Route secondary control cable from station selector panel to secondary control location (cable acquired separately – see cable listing).
- 3) Insert station selector panel thru mounting hole and attach connectors to mating connectors from control and searchlight. The connector marked "flybridge" to go to the flybridge control and the connector marked "lower" to go to the lower control. The connector to the nearest control can be plugged directly into the control. See diagram on reverse side.
- 4) Use bedding compound or sealant to waterproof station selector panel mounting.
- 5) Secure panel with self-tapping screws provided.

Wiring Diagrams on reverse side.

WIRING DIAGRAM, OPTIONAL SECONDARY REMOTE CONTROL

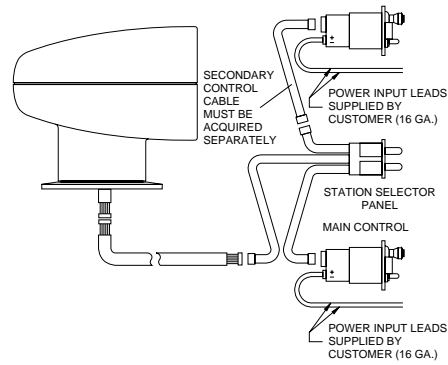
255 SL

SECONDARY CONTROL
kit no. 43670-0004 12V or 18753-0335 24V

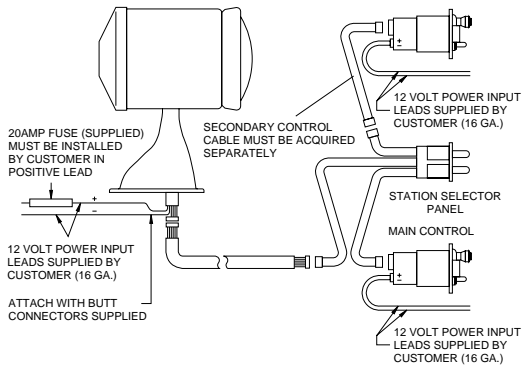


146 SL

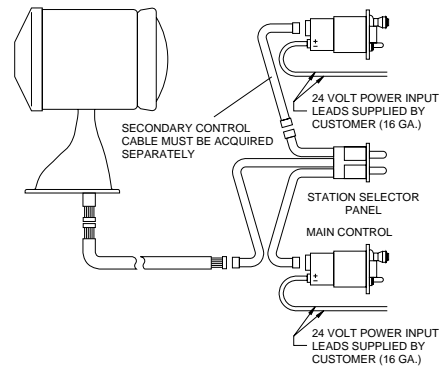
SECONDARY CONTROL
kit no. 43670-0004 12V and 24V



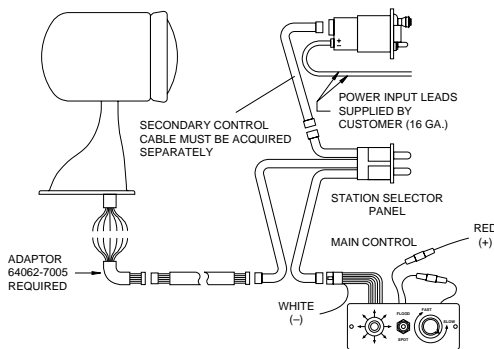
8" Model 12 Volt SECONDARY CONTROL kit no. 43670-0004



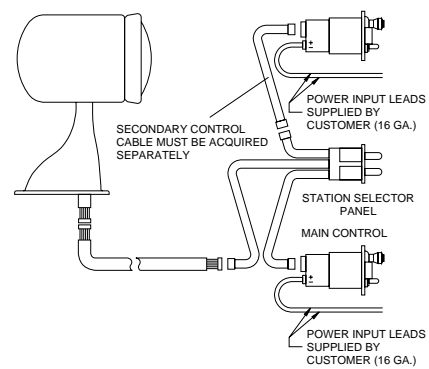
8" Model 24 Volt SECONDARY CONTROL kit no. 18753-0335



CHROME 5" -3002 Models SECONDARY CONTROL kit no. 43670-0004 12V



CHROME 5" AND 7" Models SECONDARY CONTROL kit no. 43670-0004 12V or 18753-0335 24V



Jabsco



ITT Industries
Engineered for life

THE PRODUCTS DESCRIBED HEREIN ARE SUBJECT TO THE JABSCO ONE YEAR LIMITED WARRANTY, WHICH IS AVAILABLE FOR YOUR INSPECTION UPON REQUEST.

U.S.A.
Jabsco
Cape Ann Industrial Park
Gloucester, MA 01930
Tel: 978.281.0440
Fax: 978.283.2619

UNITED KINGDOM
Jabsco
Bingley Road, Hoddesdon
Hertfordshire EN11 OBU
Tel: +44 (0) 1992 450145
Fax: +44 (0) 1992 467132

CANADA
Fluid Products Canada
55 Royal Road
Guelph, Ontario N1H 1T1
Tel: 519 821.1900
Fax: 519 821.2569

JAPAN
NHK Jabsco Company Ltd.
3-21-10, Shin-Yokohama
Kohoku-Ku, Yokohama, 222
Tel: 045.475.8906
Fax: 045.475.8908

GERMANY
Jabsco GmbH
Oststrasse 28
22840 Norderstedt
Tel: +49-40-53 53 73 -0
Fax: +49-40-53 53 73 -11