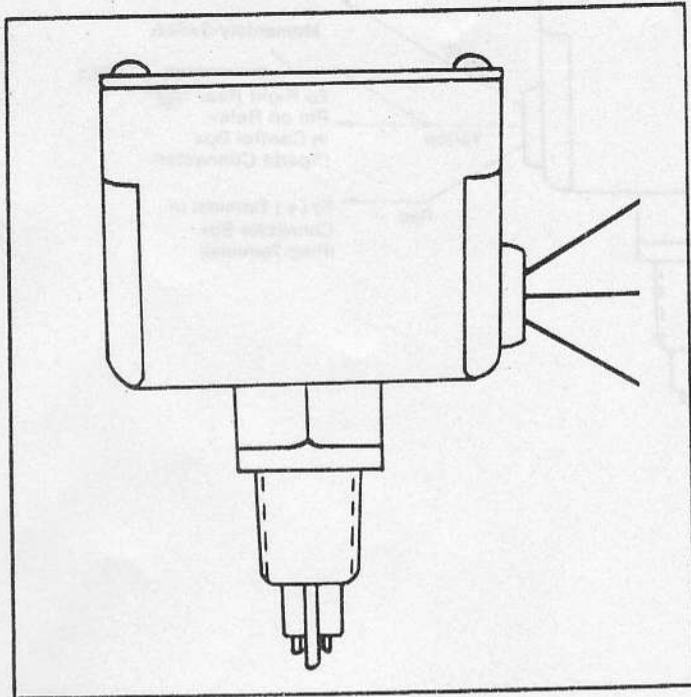


JABSCO®

ELECTRONIC
DRY TANK SWITCH

MODEL
18680-0000 12v-24v-32v DC



PRODUCT DATA

FEATURES

- Solid State Sensor Integrated Circuit
- Transistor Switch
- Senses Presence of Fresh Water
- Splash Proof
- Meet USCG Electrical Standards

SPECIFICATIONS

Model	VDC	Working Voltage
18680-0000	12-24-32	9 to 35v DC

APPLICATIONS

Replacement switch for Pressure Max™ model 18800-Series water pressure system.

GENERAL INFORMATION

The Jabsco® Dry Tank Switch is a device made up of a transistorized switch controlled by a solid state sensing circuit that is triggered by the conductivity of the liquid in which the probes are submerged. Most liquids are conductive. Some are not, such as distilled water, gasoline and pure oil. Generally the mineral or salt content, even when only trace amounts are present, will be sufficient to operate the conductivity circuit. Requires installation of momentary reset switch (Jabsco model 96070-0637).

Switch Type: Transistor

Material: Sensors, Monel 400
Housing, Celcon

Leads: 24" Long #16 AWG

Mounting: 1/4" NPT, tapered pipe threads,
5/8" hex head

Color Code: Red, Power in (+)
Black, Ground (-)
Yellow, Power to Relay (-)
12v-24v-32v DC

INSTALLATION

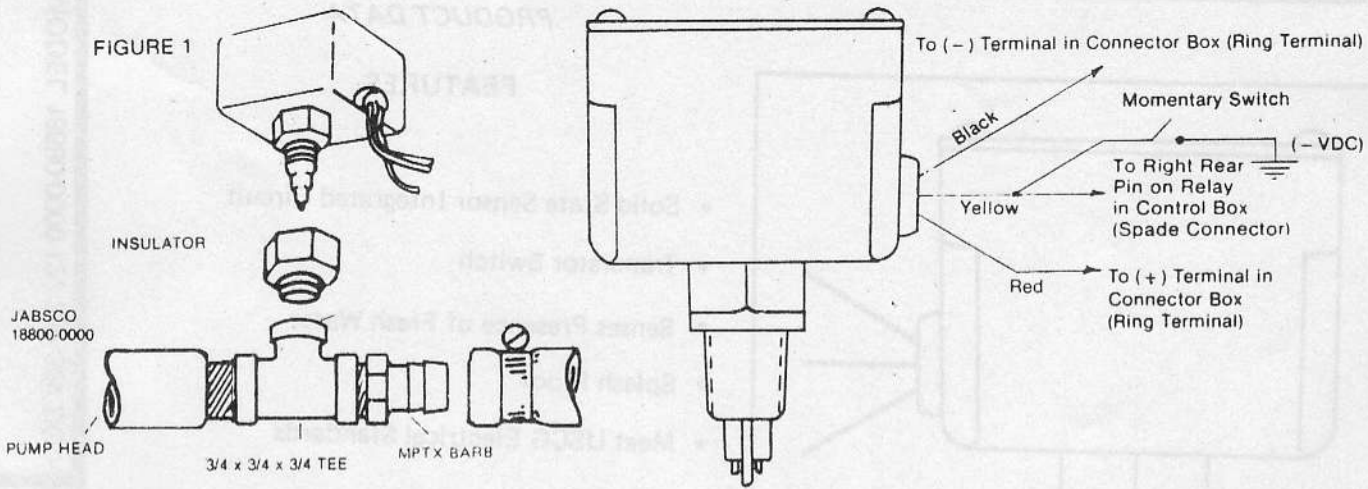
See Figure 1. A bushing may be used to attain the 1/4" NPT connection. Use Teflon tape to seal threads. Do not use oil base pipe dope with plastic fittings.

MODEL 18680-0000 12v-24v-32v DC

ITT JABSCO
43000-0429

INSTALLATION

FIGURE 2



IMPORTANT: Any residual water in a "dry" system must drain away from sensor probe. Sensor must be installed in upright position.

ELECTRICAL: Wire the sensor per Figure 2.

NOTE: This switch is only for use on the 18800-Series Pressure Max™ systems. Not to be used with PAR diaphragm pumps.

ITT JABSCO

MARC Division

International Telephone and Telegraph Corporation

1485 Dale Way, Costa Mesa, California 92626

Telephone: (714) 545-8251