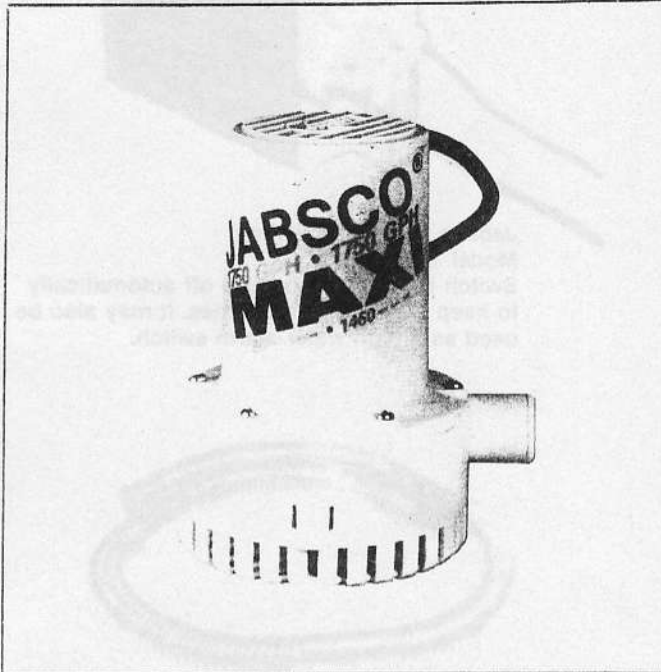




**Models 18490-0000 (12V)  
18490-0001 (24V)  
18490-0002 (32V)**

Models 18490-0000 (12V), 18490-0001 (24V), 18490-0002 (32V)



**SUBMERSIBLE BILGE PUMP  
FEATURES**

- Fully Submersible.
- Easy to Install.
- Anti-airlock Design.
- Corrosion Resistant, Acetal Construction.
- Easy to Clean, Large Area Strainer
- Meets Applicable Sections of USCG Reg. (Title 33, Chapter I, Part 183; Subpart I).
- BIA Type accepted.

**SPECIFICATIONS**

|                 |  |
|-----------------|--|
| Capacity:       | 1750 US Gal/Hr, 6600 Ltr/Hr<br>1470 IMP Gal/Hr |
| Discharge Port: | 1-1/8 inch (2,86 cm) DIA Hose                  |
| Weight:         | 2 lbs 15 ozs (1,33 kg)                         |
| Height:         | 6-7/8 inch (17,5 cm)                           |
| Base:           | 4-7/8 inch (12,4 cm) Diameter                  |
| Shaft:          | Stainless Steel                                |
| Seal:           | Double Lip Seal                                |
| Wire:           | 36 inch (92 cm) Long                           |

**INSTALLATION**

Locate the lowest point in the bilge. Remove the lower strainer base from the main housing by depressing the two tabs firmly and pulling to separate. Do not attempt to remove the six screws from the pump housing. Place the strainer base in the desired location and rotate until the pump discharge port will be pointed in the desired direction when the pump base is mounted and reassembled to the main housing.

Mark the hull using the four mounting hole locations in the strainer base and drill for No. 10 ( 5 mm ) self tapping screws. Use only stainless steel fasteners. Mount strainer base with 4 screws. (Do not crack the base by overtightening if the hull surface is uneven.) Reassemble pump housing to strainer base.

Connect 1-1/8 inch diameter hose to discharge nozzle and secure with corrosion resistant clamp. Make sure that the hose is free of kinks or sharp bends.

**OPERATION AND MAINTENANCE**

For long, reliable life, be sure pump is not used in a bilge containing excessive amounts of debris.

**NOTICE: To ensure maximum pump performance, periodically remove pump from strainer base and clean debris from strainer.**

Pump can run dry for short periods of time; however, excessive dry running may reduce pump life.

## WIRING

| Pump Model | Voltage/Amp | Fuse    | Wire Size |
|------------|-------------|---------|-----------|
| 18490-0000 | 12 Vdc/8.5  | 10 Amp  | 14 gauge* |
| 18490-0001 | 24 Vdc/4.3  | 7.5 Amp | 16 gauge  |
| 18490-0002 | 32 Vdc/3.1  | 5.0 Amp | 16 gauge  |

\* In 12 Vdc systems only, if wire length from the power source to the pump exceeds 20 feet (6.1 metres), use 12 gauge wire.

Connect brown wire to the switch and fuse on the positive battery lead and the white wire to the negative battery lead. Install a proper sized fuse in the positive battery lead as shown in Figures No. 3 and 4. Check for proper pump rotation; if improper, reverse the motor leads. Be sure that all electrical connections are above the highest bilge water level.

Figure No. 3  
MANUAL OPERATION

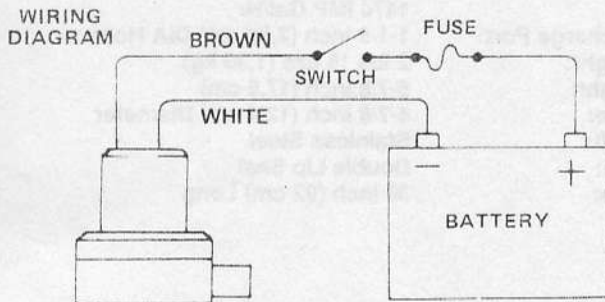
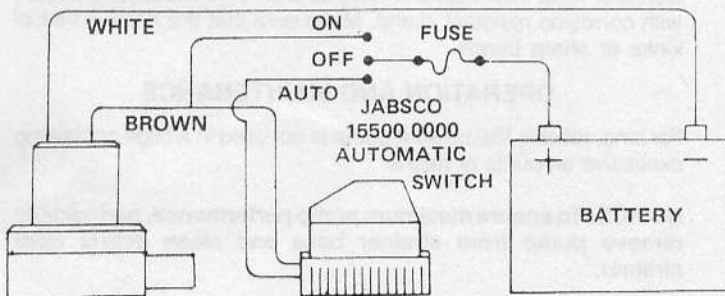


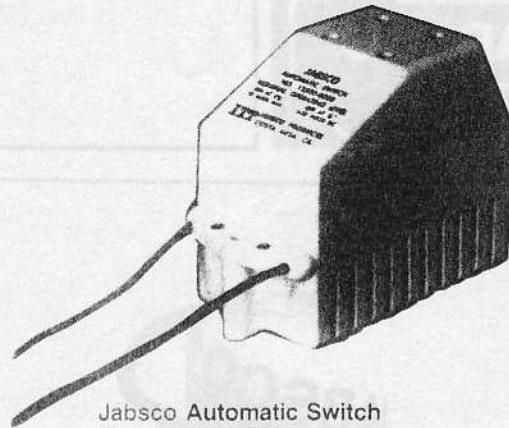
Figure No. 4  
MANUAL/AUTOMATIC OPERATION



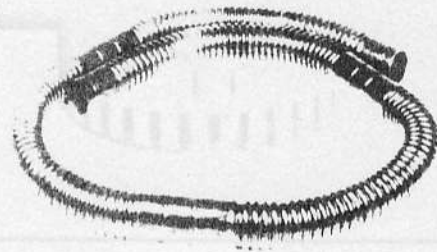
## PARTS LIST

| DESCRIPTION   | PART NUMBER | QTY. |
|---------------|-------------|------|
| Strainer Base | 18497-0000  | 1    |
| Impeller      | 18496-0000  | 1    |
| Seal          | 92700-1022  | 1    |

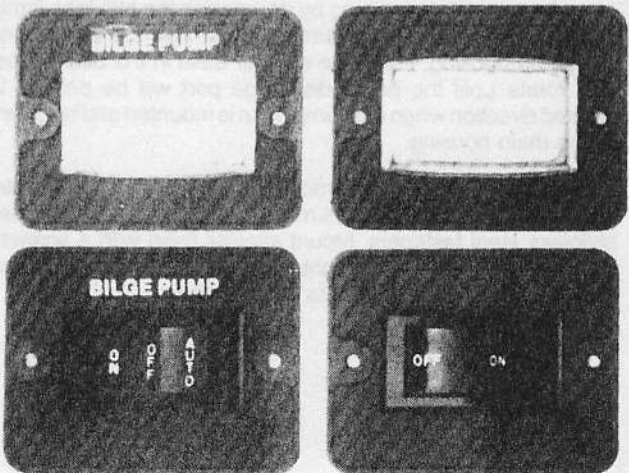
## BILGE PUMP ACCESSORIES



Jabsco Automatic Switch  
Model 15500-0000  
Switch turns pump on and off automatically to keep bilges dry at all times. It may also be used as a high water alarm switch.



PAR<sup>®</sup> Bilge Pump Hose  
Model 93003-0250, 1-1/8" (2,86 cm) ID  
Plastic discharge hose with cuffs approximately every foot for easy cutting.



Jabsco Two and Three-Position Switches  
44960-Series Available in Attractive  
lighted or unlighted versions.

THE PRODUCTS DESCRIBED HEREIN ARE SUBJECT TO THE JABSCO ONE YEAR LIMITED WARRANTY, WHICH IS AVAILABLE FOR YOUR INSPECTION UPON REQUEST.

**ITT Jabsco**  
ITT Fluid Technology Corporation  
1485 Dale Way, P.O. Box 2158  
Costa Mesa, CA 92628-2158  
Telephone: (714) 545-8251