

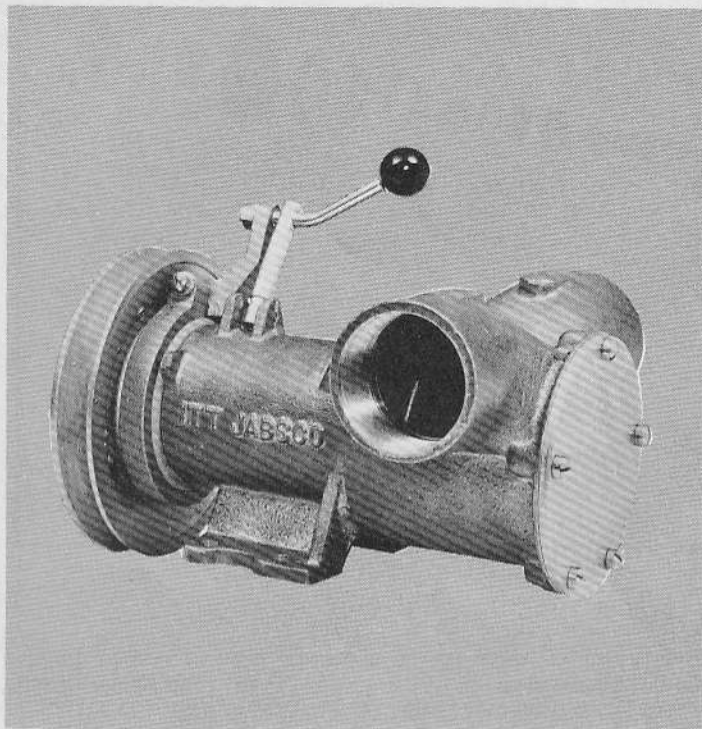
JABSCO® PUMPS

Self-Priming Pumps

MODEL 18300-0000 (1½") 18310-0000 (2")

Manual Clutch Units

PRODUCT DATA



DESIGN FEATURES

Body:	Bronze
Impeller:	Jabsco Neoprene Compound
Shaft:	Brass
Ports:	Model 18300 1½" IPT Model 18310 2" IPT
Seal:	Carbon-Ceramic Face Type
Bearings:	Sealed Ball Bearings
Shipping Weight:	18300 - 24 Lbs. (10.9 Kg) 18310 - 25 Lbs. (11.3 Kg)

MODEL 18300-0000 (1½")
18310-0000 (2")

APPLICATIONS

MARINE: Engine cooling, Pumping bilges, Washdowns, Circulating water in bait tanks, Utility dock side pump.

INDUSTRIAL: Circulating and transferring, Velocity-mixing, Return spill, Sump drainage, Chemicals, Pharmaceuticals, Soap, Liquors, Ink, Dyes, Alcohol, Tanning Liquors, Glycerine, Brine, etc.

FARMING: Pumping water for stock, Pumping water from shallow wells and cisterns.

PUBLIC UTILITIES AND MUNICIPALITIES: Dewatering and draining meter boxes and excavations, Truck installation under hood for emergency pumping.

INSTALLATION

Pump may be mounted in any position. Intake and discharge ports are determined by the direction of shaft rotation (refer to dimensional drawing). Before installing, turn pump shaft in the direction of shaft rotation. Drive pump with an "A" or "B" size belt.

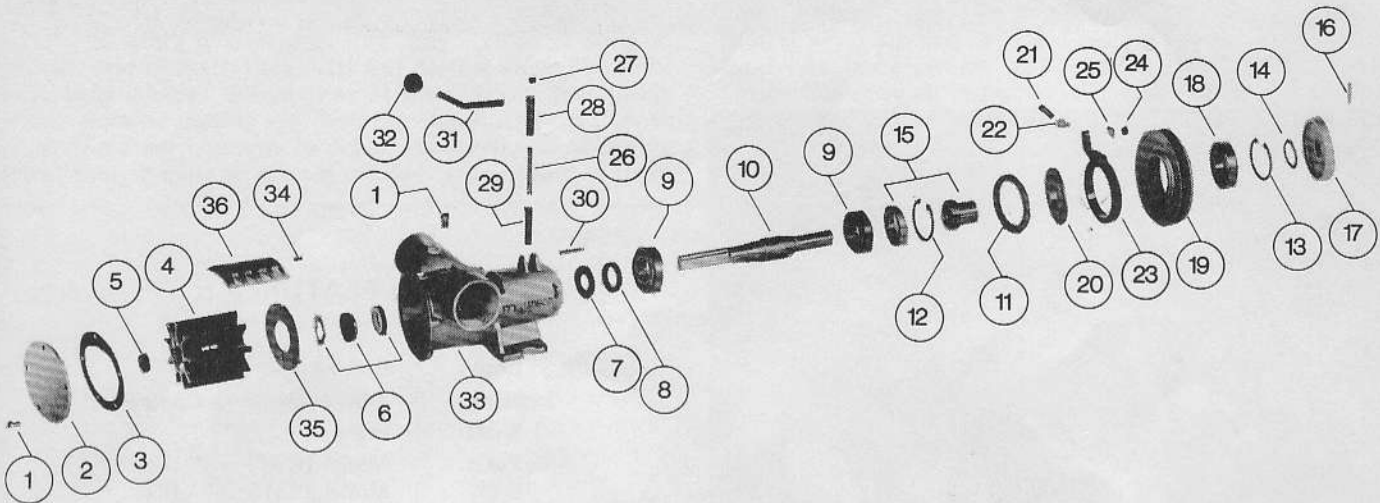
NOTE: MODEL 18310-0000 IS INTERCHANGEABLE WITH EARLIER PUMP MODEL 10660-0001: BASE MOUNTING DIMENSIONS, HEIGHT ABOVE BASE TO SHAFT, AND HEIGHT ABOVE BASE TO PORT CENTERLINE ARE THE SAME.

OPERATION

Pump will self-prime at low or high speeds. Make sure that all connections are airtight. Clutch will engage when clutch handle is moved to the left (as viewed from pulley end of unit). **DO NOT RUN PUMP DRY FOR MORE THAN 30 SECONDS. LACK OF WATER FLOW MAY DAMAGE IMPELLER.** To drain pump, loosen end cover screws. See Head Capacity Table for head pressures and flow. To avoid costly shutdowns, keep a Jabsco Service Kit on hand.

JABSCO PRODUCTS **ITT**

EXPLODED VIEW



PARTS LIST

Key	Description	Part Number	Qty.	Key	Description	Part Number	Qty.
1	Screw, End Cover and Cam	91005-0040	6	20	† Adaptor Ring	2471-0000	1
2	End Cover		1	21	† Screw	91005-0060	1
	Model 18300-0000	18294-0002		22	† Lock Washer	91602-0060	1
	Model 18310-0000	18294-0003		23	† Lever Ring	2470-0000	1
3	* Gasket	816-0000	1	24	† Nut	91085-0090	1
4	* Impeller	6760-0001	1	25	† Lock Washer	91602-0080	1
5	* Spline Plug	4346-0000	1	26	† Spring	3528-0000	1
6	* Seal Assembly (Shaft)	6408-0000	1	27	† Rubber Plug	3530-0000	1
7	Slinger	3181-0000	1	28	† Guide Tube	3525-0000	1
8	Bearing Seal	92701-0180	1	29	† Guide Tube For Spring	3526-0000	1
9	Ball Bearing	92600-0260	2	30	† Roll Pin	93100-0020	1
10	Shaft	10657-0010	1	31	† Clutch Handle	2415-0000	1
11	Seal	9364-0000	1	32	† Control Knob	92330-0010	1
12	† Retaining Ring (Body Plug to Body)	91701-2440	1	33	Body		1
13	† Retaining Ring (Pulley to Bearing)	91700-2830	1		Model 18300-0000 (1½" IPT)	18313-0005	
14	† Retaining Ring (Engaging Sleeve to Bearing)	91700-1370	1		Model 18310-0000 (2" IPT)	18313-0002	
15	† Body Plug and Engaging Sleeve	3856-0000	1	34	Dowel Pin	2572-0000	1
16	† Roll Pin	93100-0010	1	35	Wearplate	2574-0000	1
17	† Clutch Cone	2473-0000	1	36	Cam	6988-0000	1
18	† Ball Bearing	92600-0090	1		Service Kit	90254-0001	
19	† Clutch Pulley	2472-0000	1		Clutch Kit	4387-0000	

* Parts contained in Service Kit

† Parts contained in Clutch Kit

NOTES: 1. ALL REPLACEMENT PARTS SHOWN ARE INTERCHANGEABLE WITH EARLIER PUMP MODEL 10660-0001.

2. MODELS 18300-0000 and 18310-0000 HAVE A ONE-PIECE BODY AND BEARING HOUSING DESIGN, WHICH REPLACES THE TWO-PIECE DESIGN OF MODEL 10660-0001.

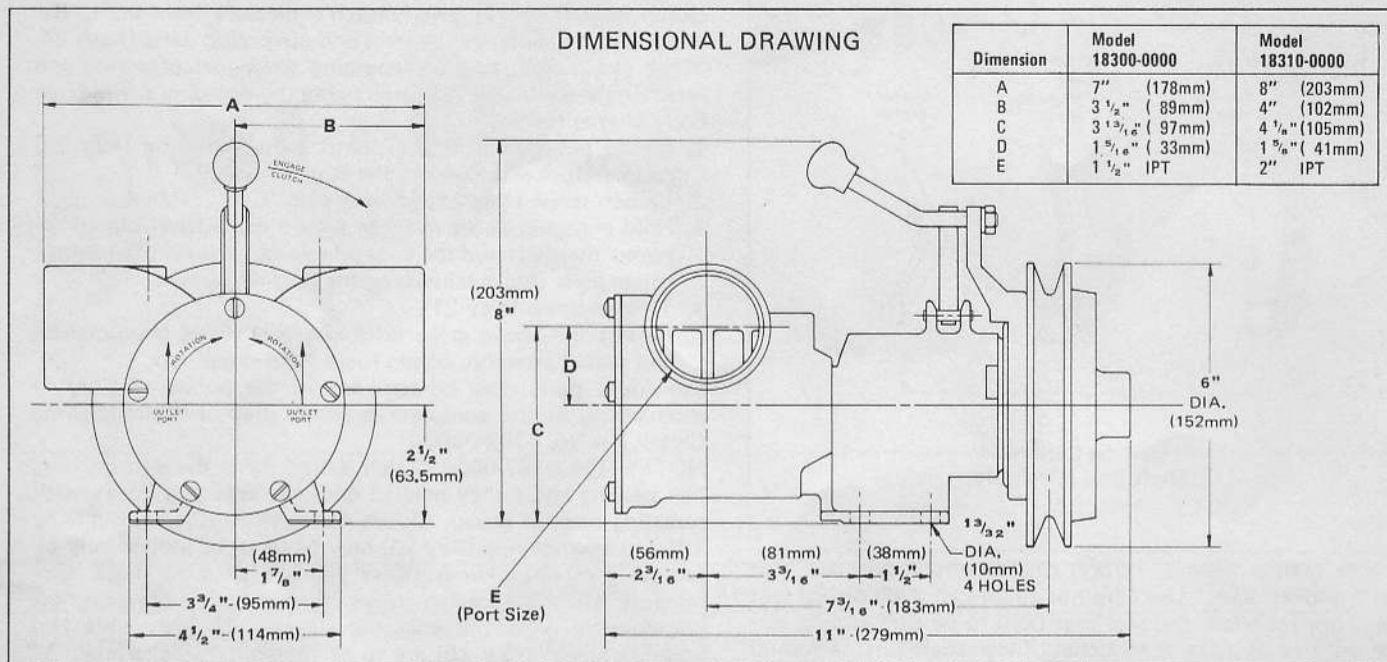
SERVICE INSTRUCTIONS (CONTINUED)

MAJOR REPAIR: Remove pump from installation for major repair.

Disassembly: Remove end cover, impeller, cam, wearplate and seal assembly as outlined in Shaft Seal Replacement instructions. Remove clutch and pulley as outlined in Clutch Replacement instructions. Remove retaining ring (Key 12). The body plug will automatically be removed when shaft and bearing assembly is pressed out of body. While pressing on impeller end of shaft, slide shaft and bearing assembly out of body bearing bore. Slinger (Key 7) will slide out drain slot in body. Remove bearing seal (Key 8). If ball bearings (Key 9) on shaft are worn, remove by pressing on inner race of bearing (inner bearing must be pressed off over impeller end of shaft,

and the outer bearing over drive end of shaft). Replace all worn or broken parts.

Assembly: While supporting inner race of bearings, press new ball bearings onto a clean well-oiled shaft. Wipe excess oil from impeller end of shaft. Press new bearing seal (Key 8) into seal bore. Slide slinger (Key 7) through drain slot in body and into place so shaft can go through. Support the outer race of bearing while pressing shaft and bearing assembly (splined end first) into body bearing bore. Install clutch as outlined in Clutch Replacement instructions. Install shaft seal, wearplate, cam, gasket and end cover as outlined in Shaft Seal Replacement instructions.



HEAD CAPACITY TABLES

MODEL 18310-0000 2" PORTS

TOTAL HEAD				500 RPM			870 RPM			1160 RPM			1450 RPM			1750 RPM			2100 RPM			2450 RPM		
Lbs Per Sq Inch	Kg Per Sq cm	Feet of Water	Meters of Water	GPM	L/min	HP	GPM	L/min	HP	GPM	L/min	HP	GPM	L/min	HP	GPM	L/min	HP	GPM	L/min	HP	GPM	L/min	HP
4.3	.3	10	3.0	23	87	1/2	40	151	1	54	204	1	70	265	1 1/2	83	314	2	95	360	3	108	409	3
8.7	.6	20	6.1	22	83	1/2	37	140	1	50	189	1	66	250	1 1/2	79	299	2	91	344	3	104	394	3
17.3	1.2	40	12.2	17	64	1/2	30	114	1	43	163	1 1/2	58	220	1 1/2	71	269	3	82	310	3	93	352	5
26.0	1.8	60	18.3	-	-	-	22	83	1 1/2	34	129	1 1/2	48	182	2	61	231	3	70	265	5	81	307	5
30.3	2.1	70	21.3	-	-	-	-	-	-	-	-	-	41	155	2	55	208	3	62	235	5	73	276	5

MODEL 18300-0000 1 1/2" PORTS

TOTAL HEAD				500 RPM			870 RPM			1160 RPM			1450 RPM			1750 RPM			2100 RPM					
Lbs Per Sq Inch	Kg Per Sq cm	Feet of Water	Meters of Water	GPM	L/min	HP	GPM	L/min	HP	GPM	L/min	HP	GPM	L/min	HP	GPM	L/min	HP	GPM	L/min	HP	GPM	L/min	HP
4.3	.3	10	3.0	23	87	1/2	40	151	1	54	204	1	70	265	1 1/2	83	314	2	95	360	3	108	409	3
8.7	.6	20	6.1	22	83	1/2	37	140	1	50	189	1	66	250	1 1/2	79	299	2	91	344	3	104	394	3
17.3	1.2	40	12.2	17	64	1/2	30	114	1	43	163	1 1/2	58	220	1 1/2	71	269	3	82	310	3	93	352	5
26.0	1.8	60	18.3	-	-	-	22	83	1 1/2	34	129	1 1/2	48	182	2	61	231	3	70	265	5	81	307	5
30.3	2.1	70	21.3	-	-	-	-	-	-	-	-	-	41	155	2	55	208	3	62	235	5	73	276	5

JABSCO PRODUCTS **ITT**

Marine and Recreation Components Division
International Telephone and Telegraph Corporation
1485 Dale Way, Costa Mesa, California 92626

Telephone: (714) 545-8251