

JABSCO[®] PUMPS

MODEL 17680-0001

FEATURES

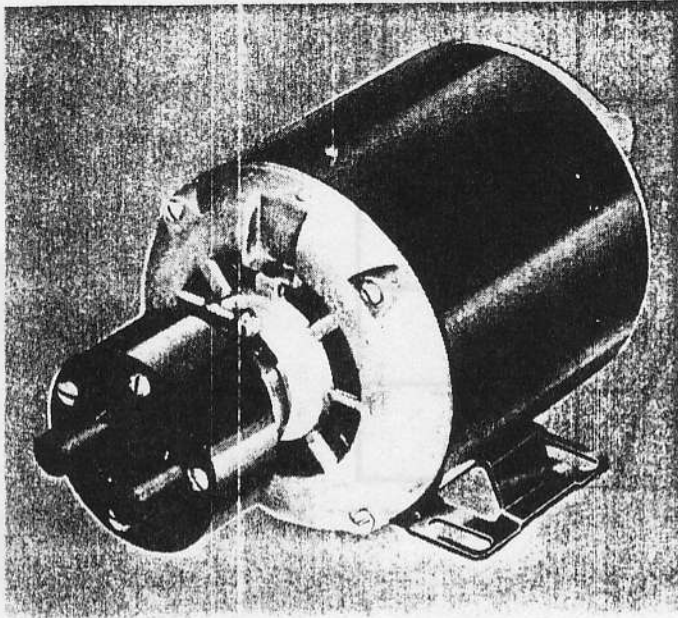
- Self-Priming
- Silent Operation
- Corrosion Resistant Materials
- Simple Low Cost Service
- Flow 4 GPM at 5 Feet Head

PUMP

Phenolic plastic with stainless steel wearplates molded in, carbon ceramic face seal, neoprene impeller with bronze motor shaft sleeve, port connections for 5/8 in. slip-on hose.

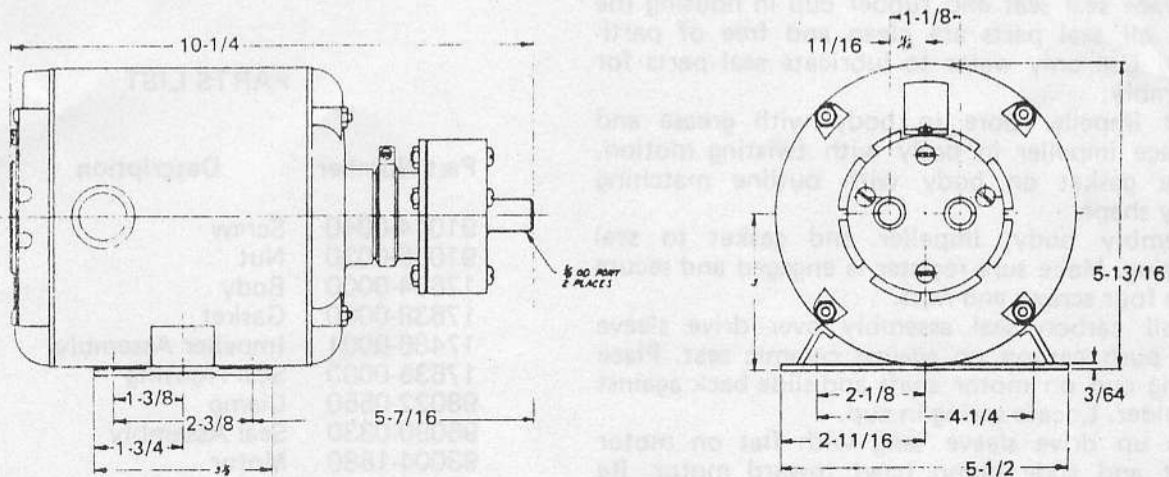
MOTOR

115 volt, A.C., single phase, 60 cycle, 1/4 HP, continuous duty, thermal overload protection.



MODEL 17680-0001

DIMENSIONAL DRAWING



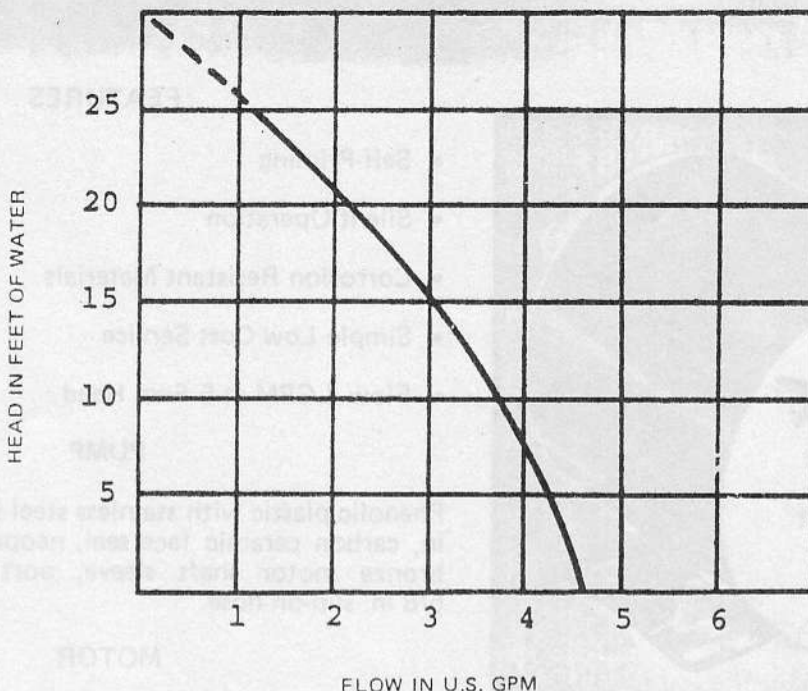
DISASSEMBLY

1. Remove four body screws and nuts, pull body off seal housing and impeller.
2. Remove impeller and gasket.
3. Remove bearing housing clamp and slide seal housing assembly off motor shaft.
4. Replace all worn or damaged parts.

JABSCO PRODUCTS **ITT**

Form 43000-0023 Rev. 9/79

HEAD VS. FLOW



ASSEMBLY

1. Coat motor shaft with grease.
2. Replace seal seat and rubber cup in housing (be sure all seal parts are clean and free of particles). Use only water to lubricate seal parts for assembly.
3. Coat impeller bore in body with grease and replace impeller in body with twisting motion. Place gasket on body with outline matching body shape.
4. Assemble body, impeller and gasket to seal housing. Make sure register is engaged and secure with four screws and nuts.
5. Install carbon seal assembly over drive sleeve and push carbon up against ceramic seat. Place spring cup on motor shaft and slide back against shoulder. Locate spring in cup.
6. Line up drive sleeve tang with flat on motor shaft and slide pump head toward motor. Be sure spring is centered in cup and over rear of carbon face assembly. Push pump head tight against motor hub and replace clamp.

PARTS LIST

| Part Number | Description | Qty |
|-------------|--------------------|-----|
| 91014-0040 | Screw | 4 |
| 91085-0030 | Nut | 4 |
| 17634-0000 | Body | 1 |
| 17638-0000 | Gasket | 1 |
| 17486-0001 | Impeller Assembly | 1 |
| 17635-0000 | Seal Housing | 1 |
| 98022-0550 | Clamp | 1 |
| 96080-0330 | Seal Assembly | 1 |
| 93004-1880 | Motor | 1 |
| 17600-0001 | Pump Head Assembly | 1 |

JABSCO PRODUCTS **ITT**

Marine and Recreation Components Division
 International Telephone and Telegraph Corporation
 1485 Dale Way, Costa Mesa, California 9262
 Telephone: (714) 545-8251