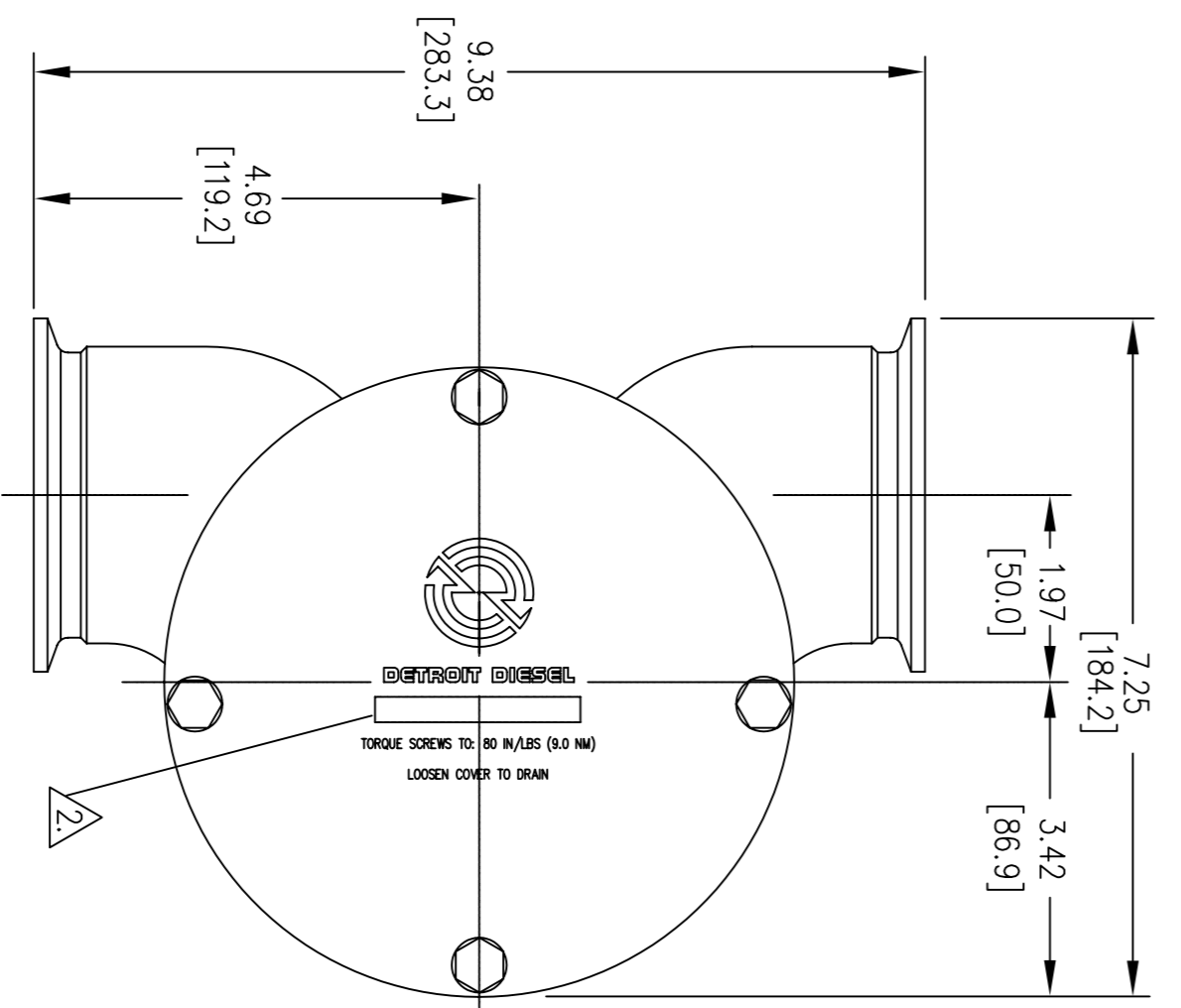
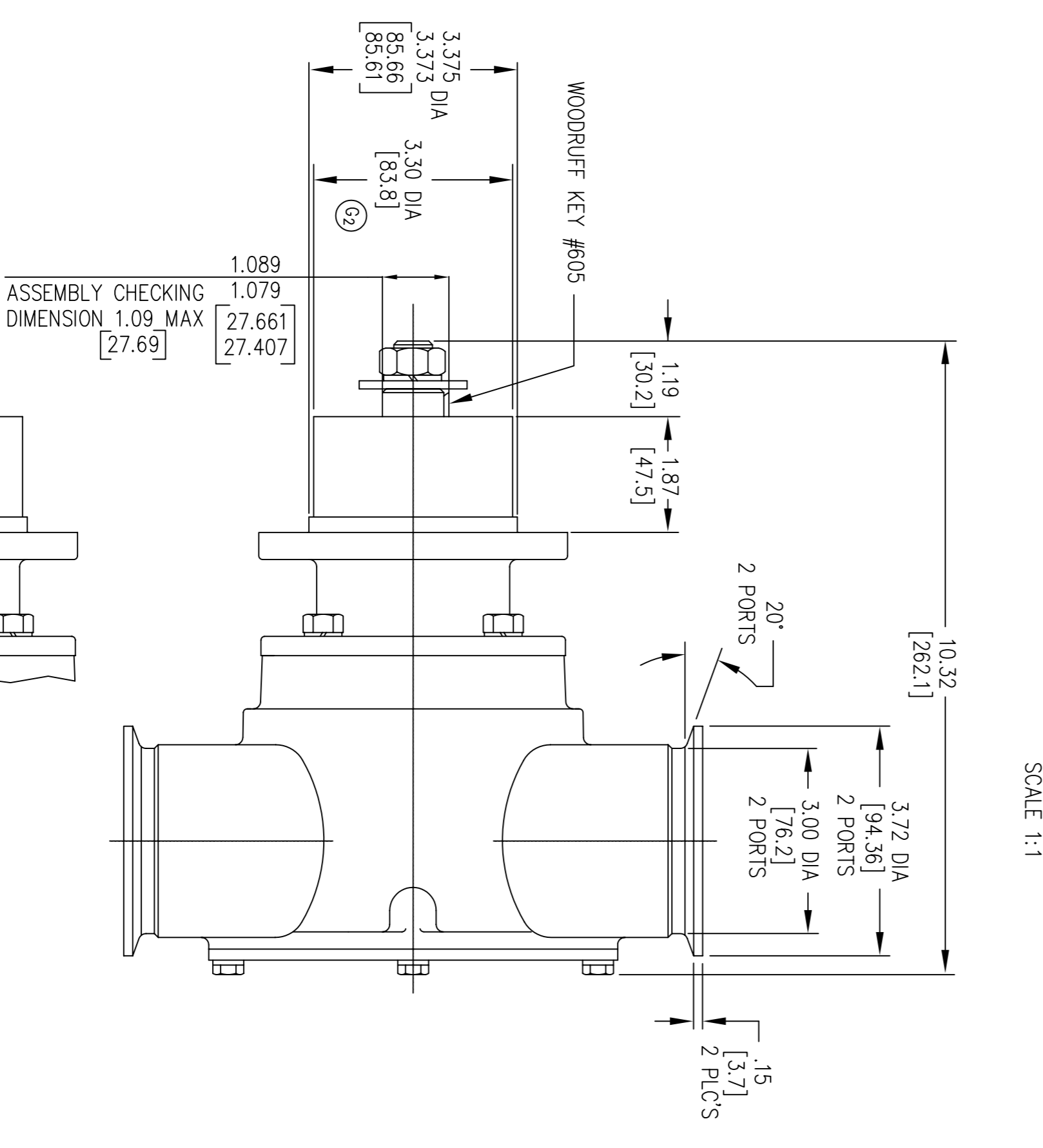
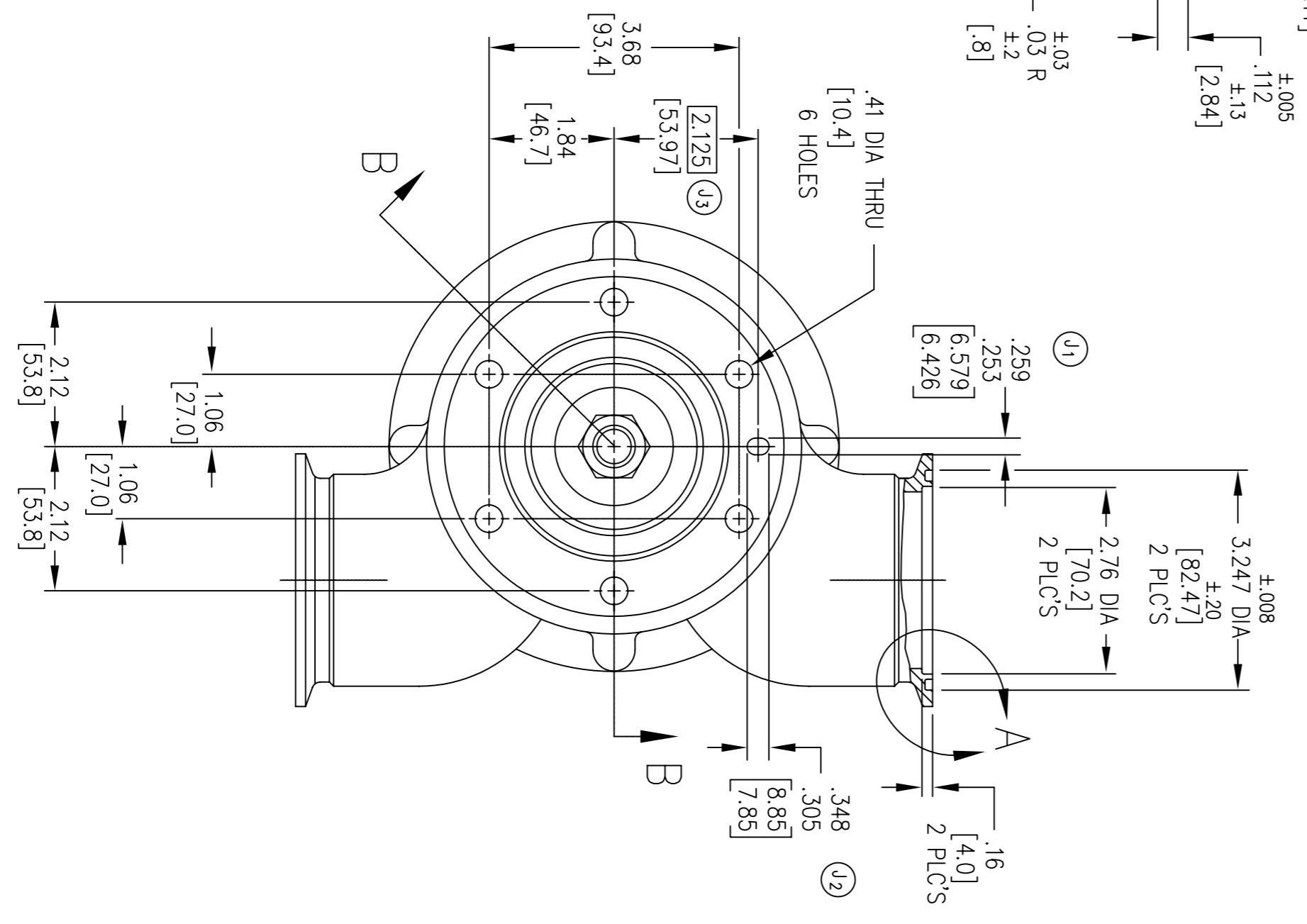
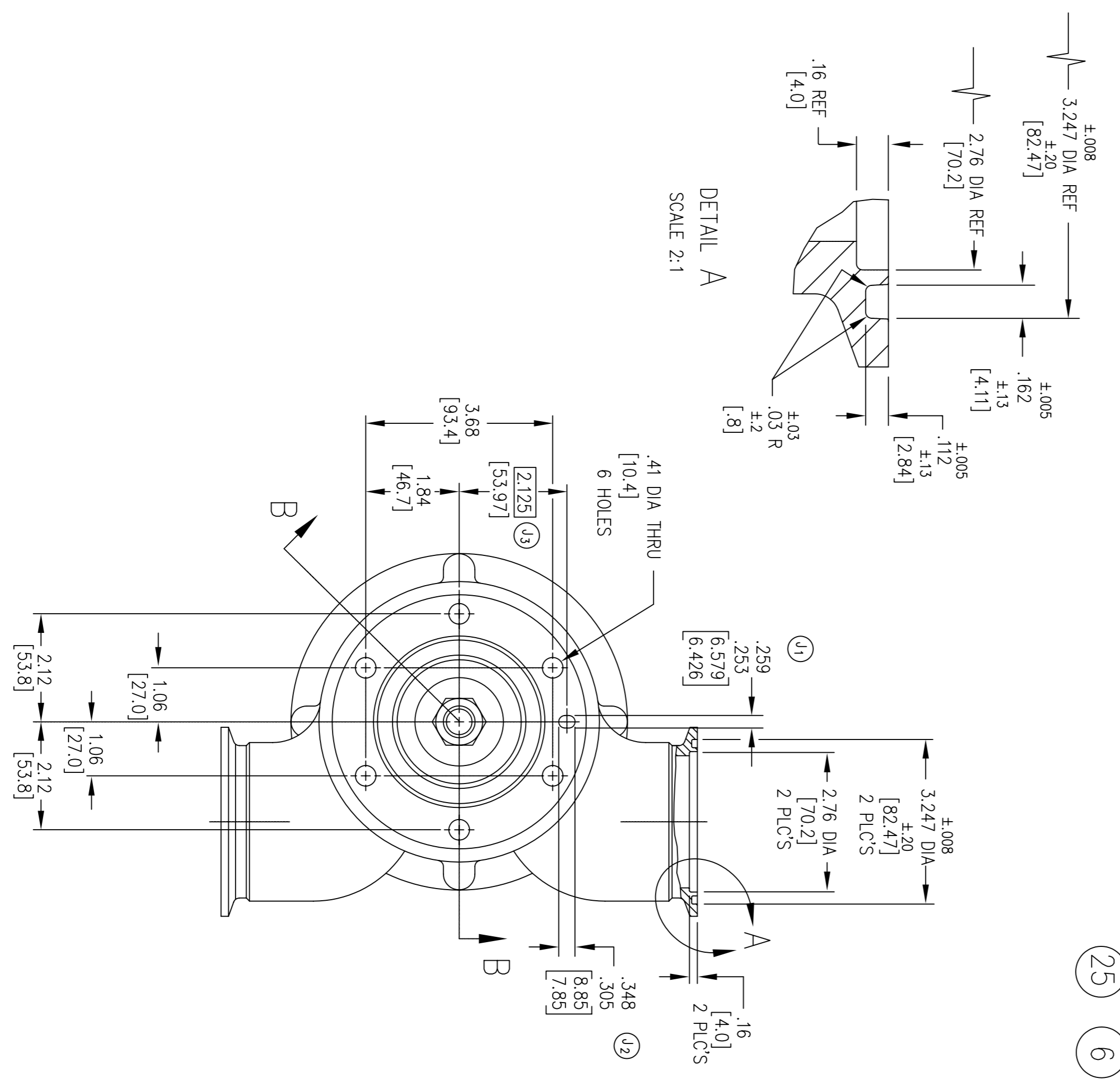
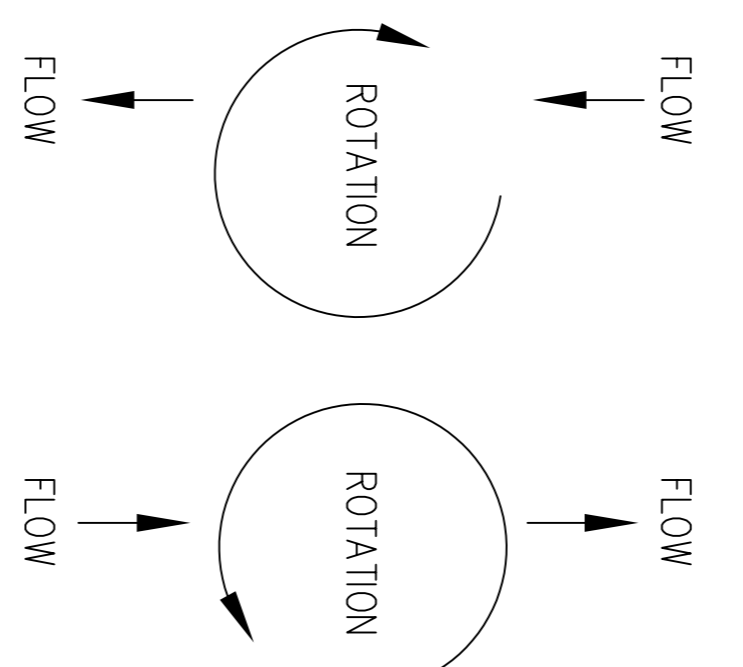
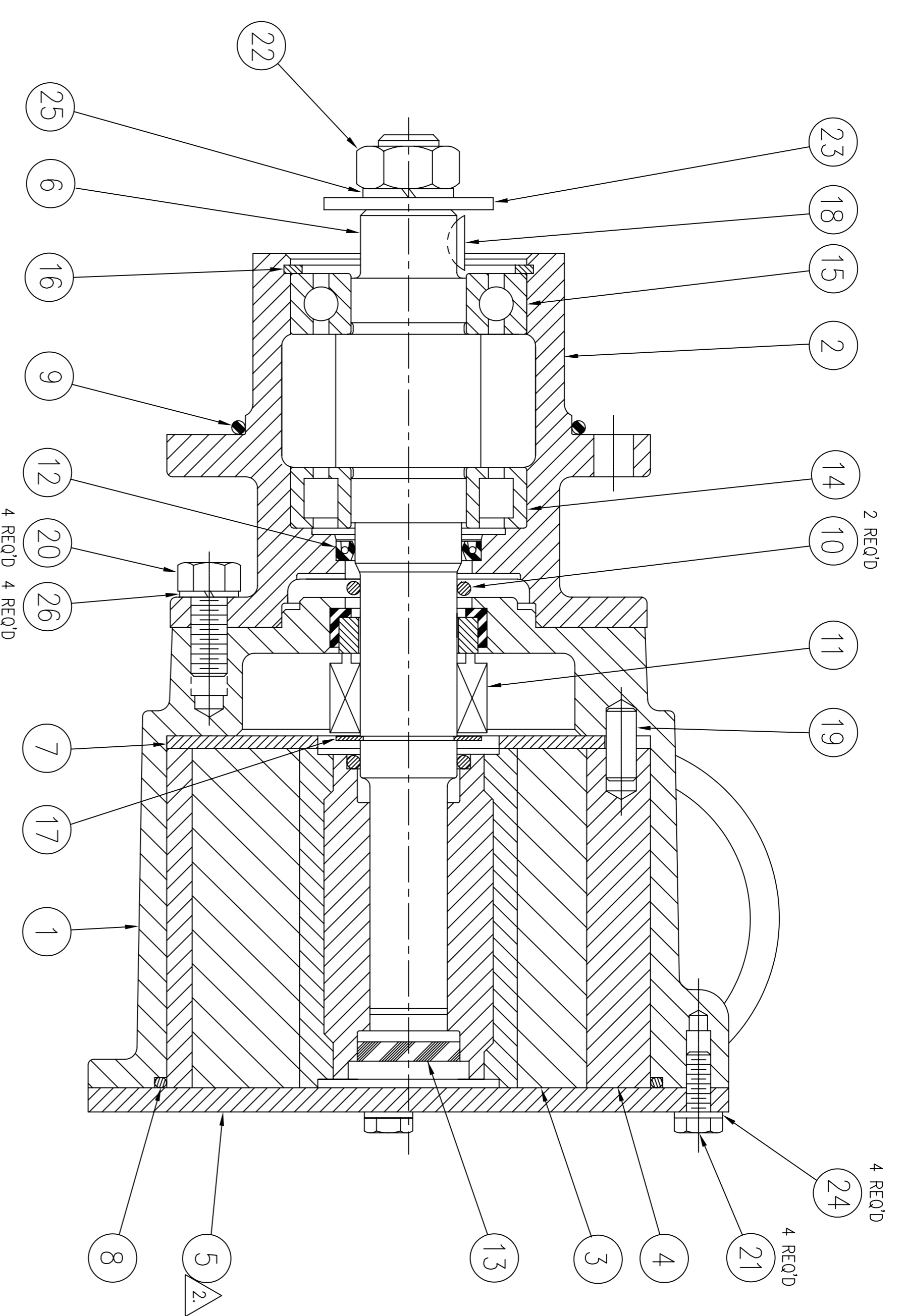


| ITEM | PART NO. | DESCRIPTION | QTY |
|------|-------------|---------------------------------|-----|
| 1 | 17531-8000 | BODY - CASTING | 1 |
| 1 | 17531-8000 | BODY - MACHINING | REF |
| 2 | 14303-8000 | BEARING HOUSING - CASTING | 1 |
| 2 | 14304-0001 | BEARING HOUSING - MACHINING | REF |
| 3 | 18785-6001 | IMPELLER | 1 |
| 4 | 18784-6000 | CAM LINER | 1 |
| 5 | 18784-6000 | END COVER | 1 |
| 6 | 17536-6000 | SHAFT | 1 |
| 7 | 18787-6000 | WEAR PLATE | 1 |
| 8 | 92000-6002 | O-RING | 1 |
| 9 | 92000-1372 | O-RING | 1 |
| 10 | 92000-6260 | O-RING | 2 |
| 11 | 96080-6371 | SEAL, MECHANICAL | 1 |
| 12 | SP2701-54 | SEAL, LIP | 1 |
| 13 | 17969-6000 | SEAL, SPLINE | 1 |
| 14 | 92601-0470 | BEARING, ROLLER | 1 |
| 15 | 92600-0534 | BEARING, BALL | 1 |
| 16 | SP1701-244 | RETAINING RING | 1 |
| 17 | 91700-6001 | RETAINING RING | 1 |
| 18 | 91402-6318 | KEY, WOODRUFF | 1 |
| 19 | SP1112-0289 | PIN, DOWEL | 1 |
| 20 | 91091-0010 | SCREW, HEX HD 3/8-16 x 7/8 LONG | 4 |
| 21 | SP1106-0070 | SCREW, HEX HD 1/4-20 x 5/8 LONG | 4 |
| 22 | SP1085-10 | NUT, HEX 5/8-18 | 1 |
| 23 | 91613-6010 | WASHER, FLAT | 1 |
| 24 | 91603-0090 | WASHER, FLAT 1/4 | 4 |
| 25 | SP1608-01 | WASHER, SPLIT LOCK 5/8 | 1 |
| 26 | 91605-0091 | WASHER, SPLIT LOCK 3/8 | 4 |



| ITEM | REQUIRED TORQUE |
|------|-------------------------------|
| 20 | 13-15 FT.-LBS [17.6-20.3 N-M] |
| 21 | 75-80 IN.-LBS [8.5-9.0 N-M] |
| 22 | (HAND TIGHT ONLY) |

NOTES: UNLESS OTHERWISE SPECIFIED.
 1. BEFORE ASSEMBLY OF PUMP LUBRICATE IMPELLER BORE, SEAL HOUSING & BEARING HOUSING AS REQUIRED.
 2. MARK END COVER, ITEM 5 WITH DDC PART NO. 23525200.
 3. DIMENSIONS IN [] ARE IN MILLIMETERS.

| REV | DESCRIPTION | ECO NO | BY | DATE | CHK | DATE | APVD | DATE |
|-----|---|---------|-----|---------|-----|---------|------|---------|
| 01 | REVISED & REBORN | 498 | HV | 4-22-99 | JS | 5-6-99 | JS | 5-7-99 |
| 02 | RELEASE AT M-41 | | | | | | | |
| E1 | ITEM 20, WAS 92005-0148 | 601 | HV | 5-21-99 | JN | 5-21-99 | JS | 5-21-99 |
| F1 | ADDED VIEW TO SHOW DRAIN SLOT | 667 | HV | 7-20-99 | JN | 7-20-99 | NS | 7-20-99 |
| G1 | IT 2 WAS 14304-0000 | 719 | JN | 8-10-99 | NM | 8-10-99 | NM | 8-10-99 |
| G2 | 3.30 DIA ADDED | | | | | | | |
| H1 | RELEASE AT M-40 | 751 | JN | 9-1-99 | | 9-1-99 | JS | 9-1-99 |
| J1 | ADDED 259/253 [6.579/6.416] | 796 | HV | 10-5-99 | NS | 10-5-99 | NS | 10-5-99 |
| K1 | ADDED 2125 [53.97] | | | | | | | |
| L1 | ADDED 17531-8000 WAS 6466-0000 | 1444 | HV | 1-18-01 | NS | 1-18-01 | NS | 1-18-01 |
| M | ADDED 17531-8000 BODY - CASTING TO ITEM 1 | 1828 | HV | 1-12-02 | NM | 1-12-02 | NM | 1-12-02 |
| N | TORQUE FOR ITEM 22 WAS 24-30 FT.-LBS | 12151 | NMS | 2-7-03 | NMS | 2-7-03 | NMS | 2-7-03 |
| P | DIMENSION AND CHECKING DIM OVER KEY ADDED | ENH3127 | NMS | 19/7/03 | | | | |

UNLESS OTHERWISE SPECIFIED TOLERANCES ARE:
 FRACTIONS: XX+/-Z
 ALL DIMENSIONS ARE IN INCHES
 ANGULAR: XX+/-Z

THIS DOCUMENT CONTAINS PROPRIETARY INFORMATION OF ITT INDUSTRIES. THIS DOCUMENT IS ISSUED IN STRICT CONFIDENCE AND SHALL NOT BE DISCLOSED TO A THIRD PARTY OR USED FOR MANUFACTURE, PRODUCTION OR PROCEDURE WITHOUT THE EXPRESS WRITTEN PERMISSION OF ITT INDUSTRIES.

PER ISAE 1145M-1994

DATE: 4-22-99
 DRAWN BY: J.S.
 CHECKED BY: J.S.
 APPROVALS: J.S. SMITH

ENGINE COOLING PUMP
 SCALE: 1/2 & NOTED