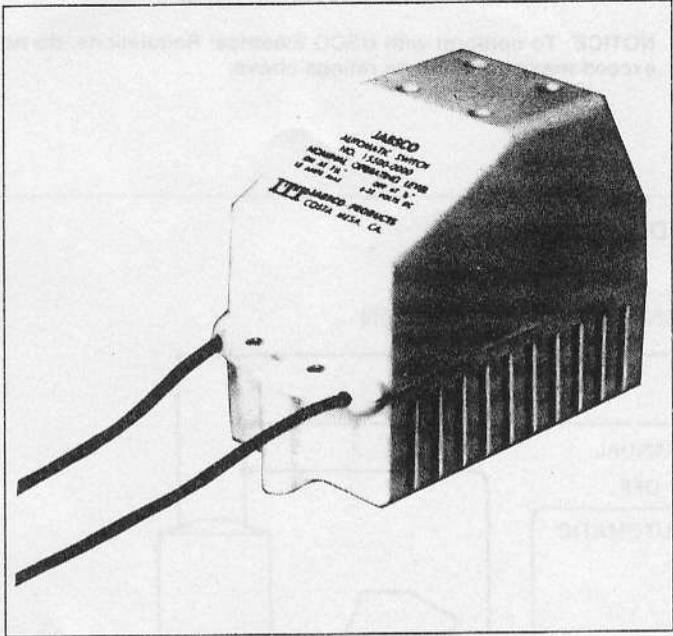




Model 15500-0000

Model 15500-0000



BILGE PUMP SWITCH

FEATURES

Construction:	Inert materials: No corrosion or electrolysis
Operation:	Spark proof
Housing:	Polypropylene
Connection Leads:	Thirty inches in length
Voltage:	50 Volts DC maximum

- Meets USCG Electrical Standards Title 33, Chapter I, Subpart 183.410

APPLICATION INFORMATION

Designed for:

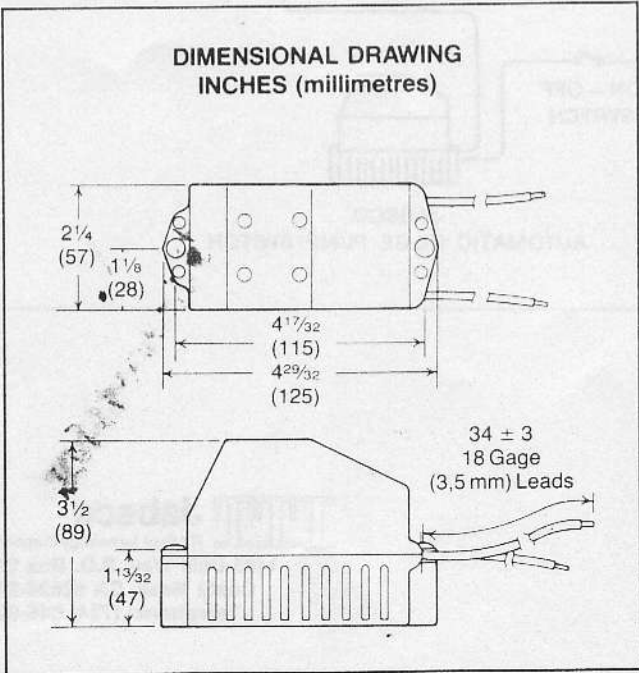
- Automatic Bilge Pump Operation
- High Water Level Alarm
- Low Level Cut-off Switch
- Electric Clutch Operation

FEATURES/BENEFITS

PLASTIC FLOAT HOUSING – TO RESIST JAMMING AND FOULING. Tough housing protects float from objects adrift in bilge, dampens sloshing of bilge water in heavy seas.

MERCURY CAPSULE – SAFETY, RELIABILITY. Capsule is permanently sealed in the float for spark-proof, positive action and repeatability – assuring reliable, fully automatic bilge pump operation.

DIMENSIONAL DRAWING INCHES (millimetres)



Caution: Float contains a glass encapsulated MERCURY switch. In case of breakage, be aware that heated mercury evaporates rapidly creating hazardous toxic fumes. For further information and clean-up instructions, consult a Mercury Safety Data Sheet.

INSTALLATION AND OPERATION INSTRUCTIONS

Mount the switch base at the same level as the pump base, or slightly higher, to assure water level at the pump suction opening. Mount the switch base horizontally. **TO INSURE PROPER FLOAT MOVEMENT AND SWITCH OPERATION, DO NOT MOUNT ON ANGLE OF VEE BOTTOM.** Preferred mounting position is with switch fore and aft and wires toward bow. May also be mounted athwartships if base is horizontal. Make all wiring connections well above high water level. Always use proper size fuse for pump. Locate fuse on hot (positive) pump wire lead and away from bilge water. Consult pump manufacturer specifications for proper fuse size.

TECHNICAL INFORMATION

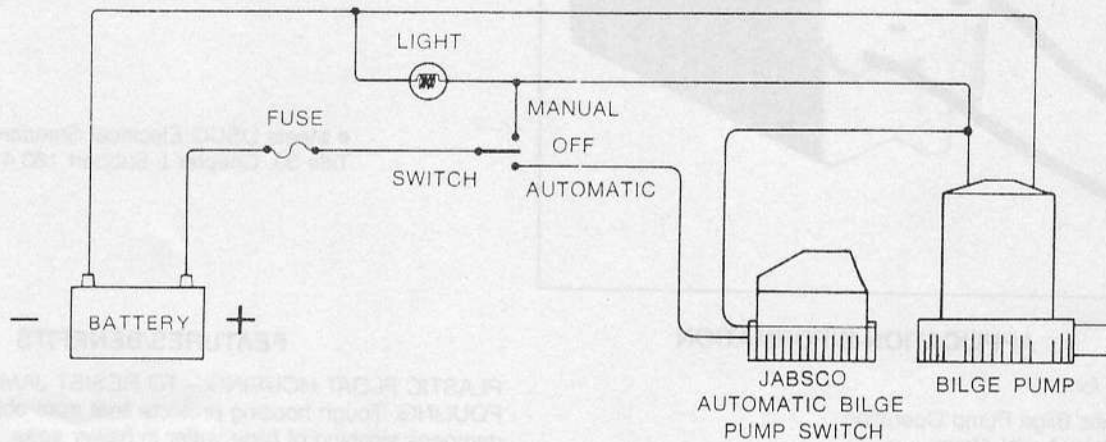
Voltage: 50 Volts maximum
Amperage: 15 Amps maximum
Nominal Operating Level: On at 2¼", Off at 7⁄8"

WARNING: DO NOT EXCEED THE MAXIMUM AMPERAGE RATINGS ABOVE. DAMAGE TO SWITCH CAN OCCUR CAUSING FIRE WHICH MAY RESULT IN INJURY OR DEATH.

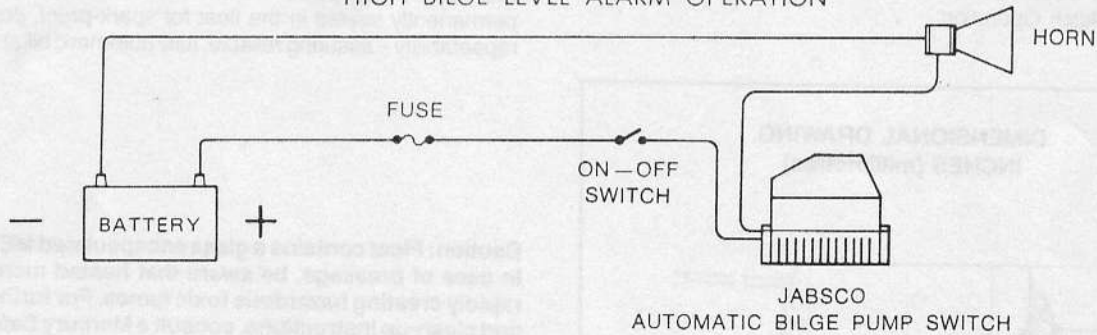
NOTICE: To conform with USCG Electrical Regulations, do not exceed maximum Voltage ratings above.

WIRING DIAGRAM

AUTOMATIC OR MANUAL BILGE OPERATION



HIGH BILGE LEVEL ALARM OPERATION



THE PRODUCT DESCRIBED HEREIN IS SUBJECT TO THE JABSCO ONE YEAR LIMITED WARRANTY, WHICH IS AVAILABLE FOR YOUR INSPECTION UPON REQUEST.

Jabsco
 ITT Fluid Technology Corporation
 1485 Dale Way, P.O. Box 2158
 Costa Mesa, CA 92628-2158
 Telephone: (714) 545-8251