

JABSCO® PUMPS

Self-Priming Pumps

MODEL: 14940-0001

12V D.C.

Product Data



INSTALLATION AND OPERATING INSTRUCTIONS

1. Locating Pump

Not necessary to mount pump below tank. The Model 14940-0001 Jabasco Pump is self-priming, may be installed at any point between tank and faucet. Will not lose its prime or air lock. Mounting grommets and screws have been included for your convenience. CAUTION! Not submersible. Mount high and dry.

2. Plumbing Connections

Use only plastic external port fittings or standard garden hose connections, minimum $\frac{3}{8}$ " tube size for inlet and outlet. Be sure all connections are airtight and your tank is vented.

3. Wiring Hookup

Use standard #12 wire for hookup and a 4-amp fuse for overload protection. For 12 volt D.C. operation only.

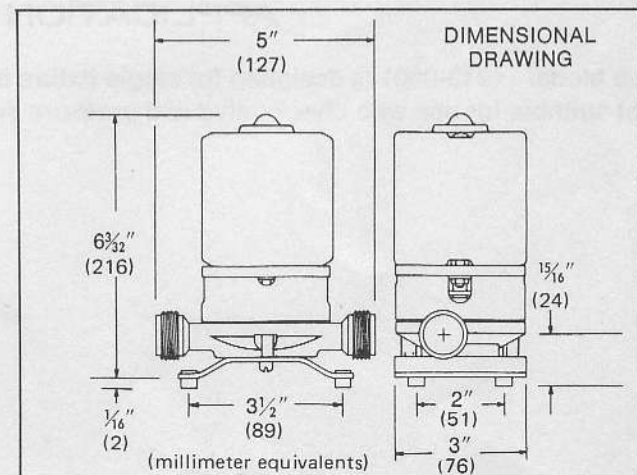
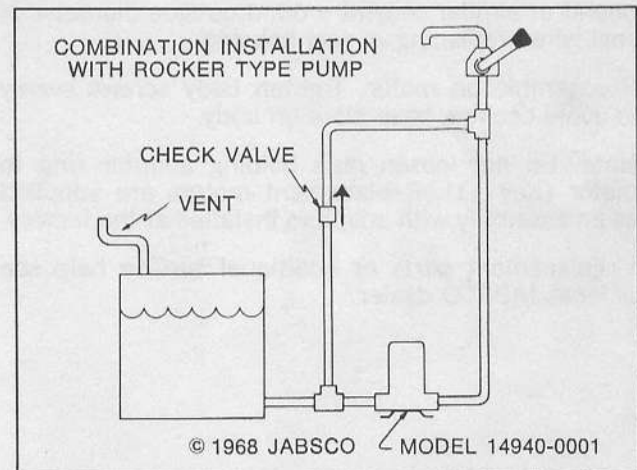
4. CAUTION!

Do not run pump dry for more than a few seconds.

The Model 14940-0001 can be installed to pump thru most rocker type pumps, eliminating the need for an additional fixture. See diagram showing typical installation.

DESIGN FEATURES

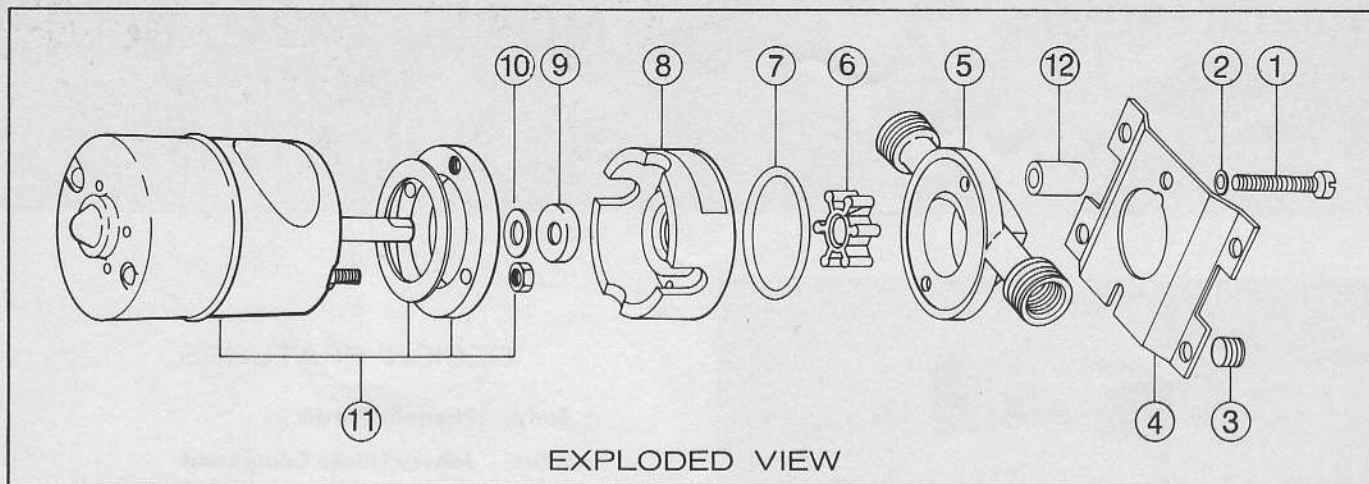
- Body: **Phenolic Plastic**
- Impeller: **Jabasco Nitrile Compound**
- Seal: **Lip Type**
- Ports: $\frac{3}{8}$ " Pipe Thread Internal
 $\frac{3}{4}$ " Garden Hose External
- Motor: **12 Volt D.C. with Stainless Steel Shaft.**
- Weight: **3 lbs. (1,4 kg.)**
- Approx. Flow: **1.25 GPM (4,73 L/min.)**
- Amp Draw: **3.3 Amp**



Model 14940-0001 12 Volt D.C.

JABSCO PRODUCTS I.T.T.

Form 43000-0216 Rev. 7-76



EXPLODED VIEW

SERVICE INSTRUCTIONS

Normal service may be easily performed by using the parts in service kit 90158-0003.

- Remove body screws (Key 1) and slide pump head off motor assembly.
- Replace impeller, seal and "O" Ring. Use pipe compound or similar sealant around outside diameter of seal when replacing in seal housing.
- Reassemble on motor. Tighten body screws evenly to avoid cocking base plate on body.
- Note: Do not loosen nuts holding adaptor ring to motor (Key 11). Replacement motors are supplied as an assembly with adaptors installed at the factory.

For replacement parts or additional service help see your local JABSCO dealer.

PARTS LIST

Key	Description	Part No.	Qty. Req.
1	Screw	91003-0200	2
2	Lock Washer	91602-0020	2
3	Grommet	92900-0120	4
4	Base	14945-0000	1
5	Body	14944-0000	1
6	*Impeller	1414-0003	1
7	**"O" Ring	92000-0750	1
8	Seal Housing	12314-0010	1
9	*Seal	92700-0910	1
10	Slinger	6342-0000	1
11	Motor Assembly	12376-0000	1
12	Stand-Off	14936-0000	2
—	Service Kit (not shown)	90158-0003	1

*Parts supplied in service kit

APPLICATION INFORMATION

The Model 14940-0001 is designed for single fixture installations with push button or foot switch operation. Not suitable for use with check valve and pressure switch control.

JABSCO PRODUCTS **ITT**

Marine and Recreation Components Division
 International Telephone and Telegraph Corporation
 1485 Dale Way, Costa Mesa, California 92626
 Telephone (714) 545-8251