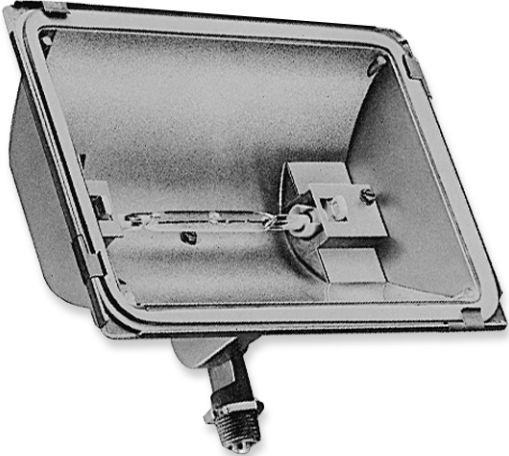


Model: 14780-0001

**QUARTZ FLOODLIGHT
FEATURES**

- Rugged housing of heavy duty die-cast aluminum.
- Reflector has superior anodic finish with diffused finish to provide wide beam spreads.
- Silicone gaskets weatherproof all critical points.
- Corrosion resistant hardware used on all exposed surfaces.
- Metal clad, spring-loaded porcelain sockets are protected by end reflectors from heat.
- Factory prewired with silicone glass braided wires extending 6" from stem.
- Aiming bars located on both sides of housing and 1/2" stem mounting arm complete with 180° aiming sector and repositioning stop.



Model 14780-0001

**14780-0001
500 WATT**

INSTALLATION AND AIMING

	<p>WARNING Fire hazard. Light housing gets hot during operation. Do not mount within two inches of combustible materials. Fire can result.</p>
--	---

1. Bring socket leads thru swivel arm and make connections in junction box.
2. Rotate in horizontal plane to desired area to be illuminated. Secure in position with lock-nut.
3. Set vertical aiming angle by loosening bolt and set screw.
4. Using aiming index, align indicator on fin with desired angular setting and tighten.

Quartz-iodine bulb manufacturers recommend operation within 4° of horizontal from end to end.

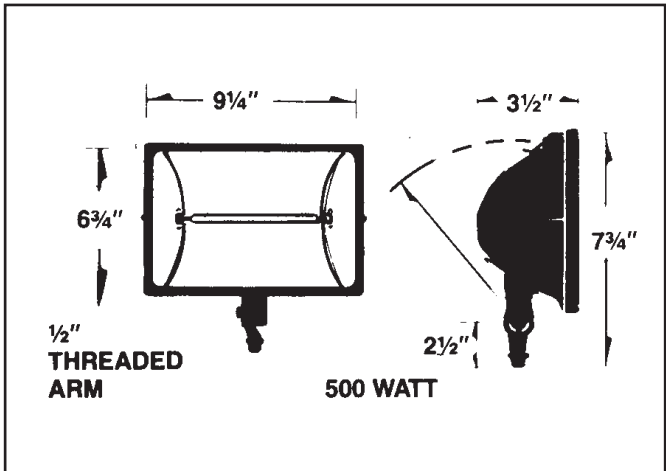
	<p>WARNING Light housing gets hot during operation. Do not touch during or immediately after operation. Burns can result.</p>
--	--

NOTICE: Use a clean cloth, gloves, or hold by the ceramic socket ends when handling the bulb.



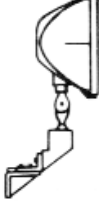

STANDARD MODEL

Model Number	Voltage	Wattage
14780-0001	12, 24, 32 Vdc, 115 Vac	500

DIMENSIONAL DRAWINGS



HARDWARE FITTINGS

			
Junction Box 44786-0000	Junction Box 44786-0000 Cross Arm Bkt. 44788-0000	Junction Box 44786-0000 Wall Mount 44787-0000	Pole Top Mount 2" or 2-1/2" pipe 44785-0000

BULBS

Model Number	Voltage	Watt	Model Number	Voltage	Watt
43950-0000	12 Vdc	150	44820-0000	115 Vac	500
43950-0010	24 Vdc	250			
43950-0020	32 Vdc	300			

PARTS LIST

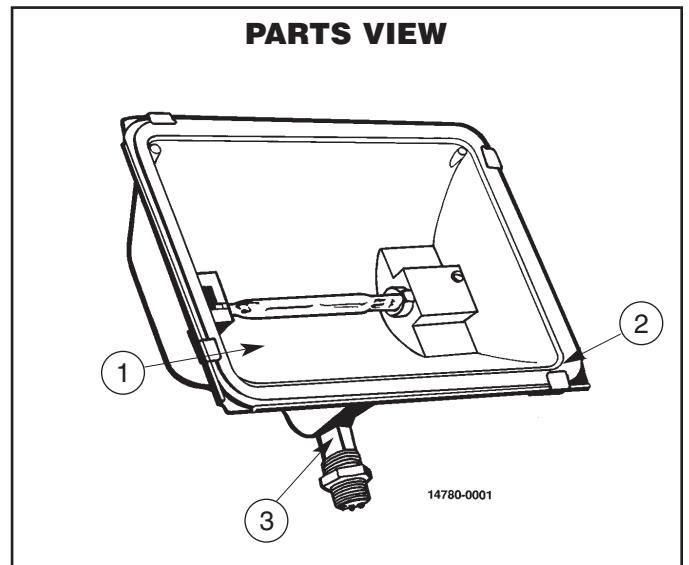
KEY	DESCRIPTION	500 Watt 14780-0001*
1	Lens Standard	44832-1001
2	Lens Gasket	44834-1001
3	Lower Swivel Bracket	44836-1001
4	Lens Clip (not shown)	44838-1001

* When ordering parts for deleted model 14780-0000 (prior to 1983), drop 1001 and use 1000.

SERVICING:

Use mild soap or household type detergent on reflector surface.

DO NOT USE ACID OR CAUSTIC CLEANERS.



Jabsco



ITT Industries
Engineered for life

U.S.A.
Jabsco
20 Icon
Foothill Ranch, CA 92610-3000
Tel: (949) 609-5106
Fax: (949) 859-1254

UNITED KINGDOM
Jabsco
Bingley Road, Hoddesdon
Hertfordshire EN11 0BU
Tel: +44 (0) 1992 450145
Fax: +44 (0) 1992 467132

CANADA
Fluid Products Canada
55 Royal Road
Guelph, Ontario N1H 1T1
Tel: (519) 821.1900
Fax: (519) 821.2569

JAPAN
NHK Jabsco Company Ltd.
3-21-10, Shin-Yokohama
Kohoku-Ku, Yokohama, 222
Tel: 045.475.8906
Fax: 045.475.8908

GERMANY
Jabsco GmbH
Oststrasse 28
22840 Norderstedt
Tel: +49-40-53 43 73 -0
Fax: +49-40-53 53 73 -11

THE PRODUCTS DESCRIBED HEREIN ARE SUBJECT TO THE JABSCO ONE YEAR LIMITED WARRANTY, WHICH IS AVAILABLE FOR YOUR INSPECTION UPON REQUEST.