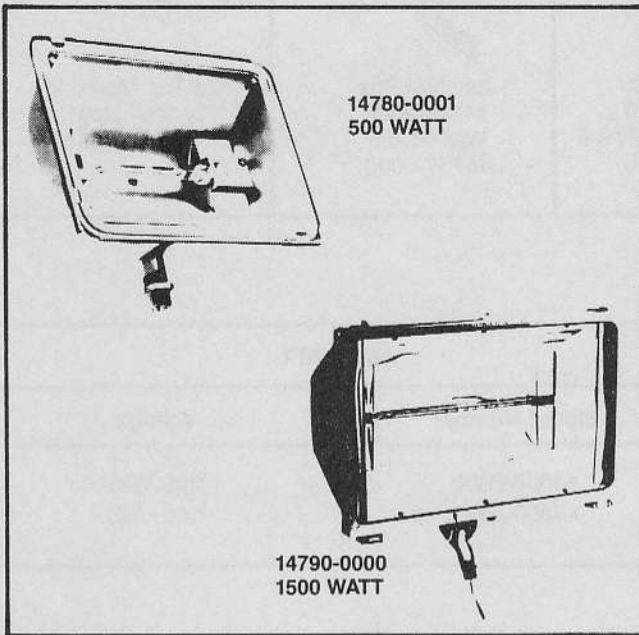


RAY-LINE[®]

QUARTZ FLOOD LIGHTS

MODEL 14780-0001

14790-0000



FEATURES

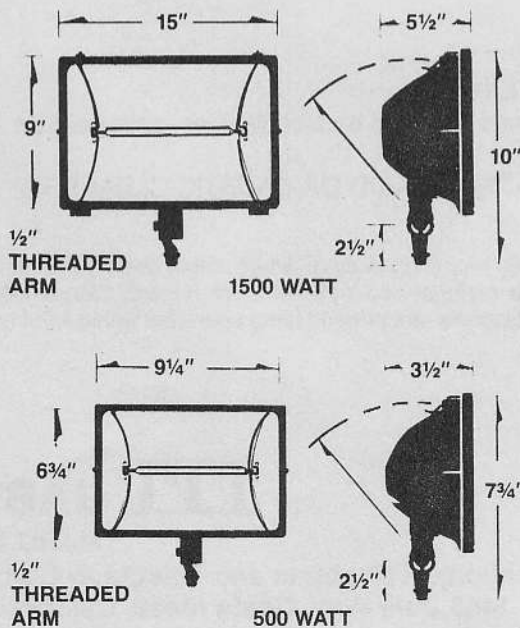
- Rugged Housing of heavy duty die-cast aluminum.
- Reflector has superior anodic finish with diffused finish to provide wide beam spreads.
- Silicone gaskets weatherproofs all critical points.
- Corrosion resistant hardware used on all exposed surfaces.
- Metal clad, spring-loaded porcelain sockets are protected by end reflectors from heat.
- Factory prewired with silicone glass braided wires extending 6" from stem.
- Aiming bars located on both sides of housing and 1/2" stem mounting arm complete with 180° aiming sector and repositioning stop.

MODEL 14780-0001 14790-0000

STANDARD MODELS

Model Numbers	Voltage	Wattage
14780-0001	120 or 125/130 VAC	500
14790-0000	208, 240, or 277 VAC	1500

DIMENSIONAL DRAWINGS



INSTALLATION AND AIMING






1. Bring socket leads thru swivel arm and make connections in junction box.
2. Rotate in horizontal plane to desire area to be illuminated. Secure in position with lock-nut.
3. Set vertical aiming angle by loosening bolt and set screw.
4. Using aiming index align indicator on fin with desired angular setting, and tighten.

CAUTION:

Use a clean cloth, gloves, or hold by the ceramic socket ends when handling the lamp. Quartz-iodine lamp manufacturers recommend lamp operation within 4° of horizontal.

ITT JABSCO

HARDWARE FITTINGS

				
Junction Box 44786-0000	Junction Box 44786-0000 Cross Arm Bkt. 44788-0000	Junction Box 44786-0000 Clamp 1½" - 2" pipe 44784-0000	Junction Box 44786-0000 Wall Mount 44787-0000	Pole Top Mount 2" or 2½" pipe 44785-0000

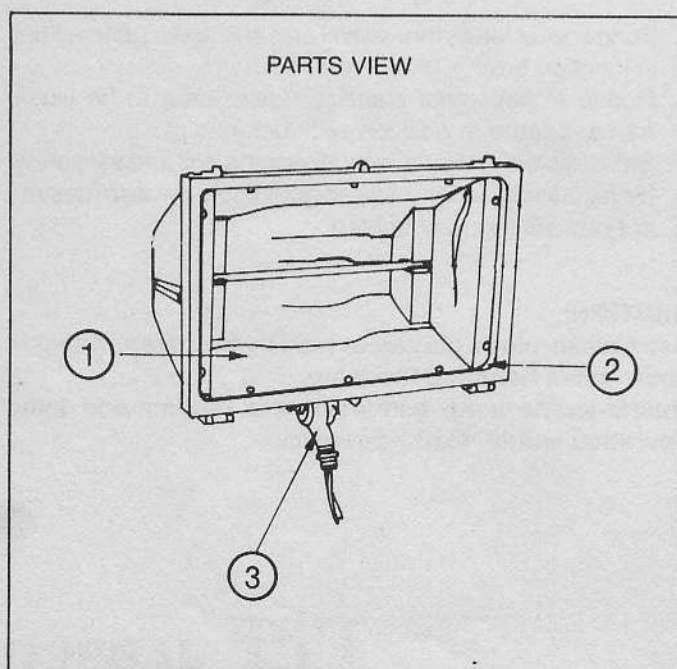
LAMPS

500 WATT		1500 WATT	
Model Number	Voltage	Model Number	Voltage
44820-0000	120/125/130 VAC	44830-0000 44830-0010	208 VAC 240 VAC

PARTS LIST

Key	Part Description	500 Watt	1500 Watt
		14780-0001*	14790-0000
1	Lens Standard	44832-1001	44842-1000
2	Lens Gasket	44834-1001	44844-1000
3	Lower Swivel Bracket	44836-1001	44836-1000
4	Lens Clip (not shown)	44838-1001	N/A

*When ordering parts for deleted model 14780-0000, drop 1001 and use 1000.



SERVICING

Use mild soap or household type detergent on reflector surface.

DO NOT USE ACID OR CAUSTIC CLEANERS.

Warning: Mounting body of fixture within one (1) inch of any combustible material could cause a fire hazard. Quartz-iodine lamp manufacturers recommend lamp operation within 4° of horizontal.

ITT JABSCO

MARC Division

International Telephone and Telegraph Corporation
1485 Dale Way, Costa Mesa, California 92626

Telephone: (714) 545-8251