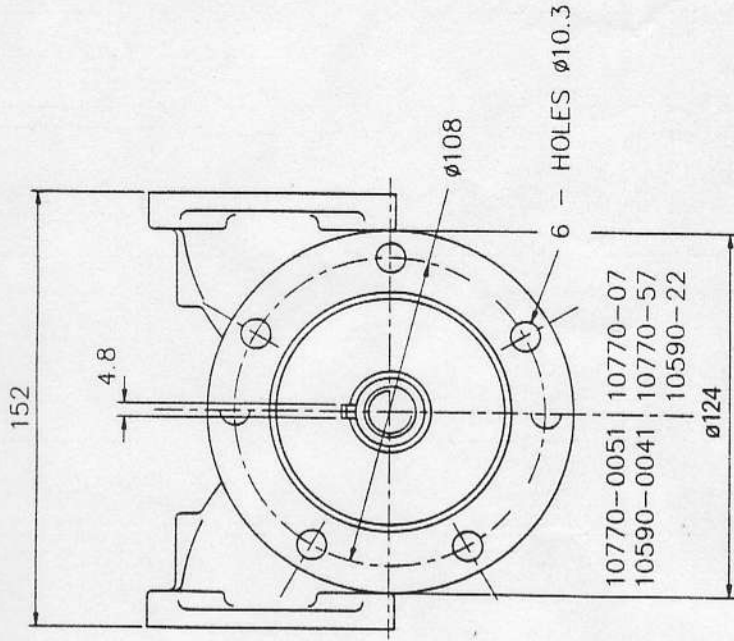


Series 10590 10770

Size 270 200



SERIES	SIZE	K	L	M	P	R	S
10770	200	84	41	82.6	32	109	151
10590	270	86	57	90.5	41.3	119	176

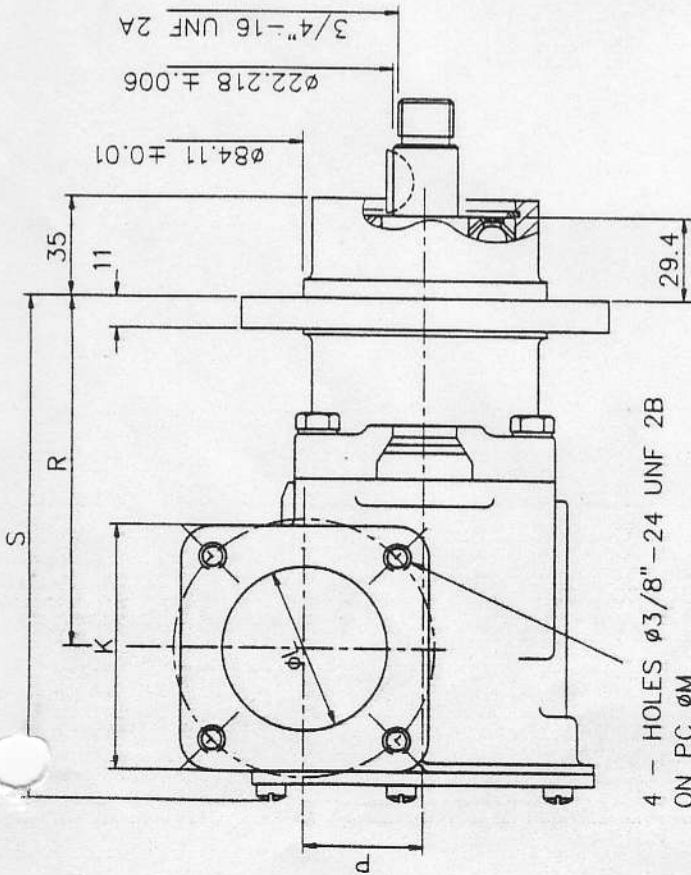
KEY	DESCRIPTION	QTY	PART NUMBER			
			MODEL 10770-07	MODEL 10770-57	MODEL 10590-22	MODEL 10590-0041
1	END COVER SCREW	5	SP1005-04	All models		
2	END COVER	1	9336			
3	GASKET	1	816			
4	CAM	1	834	2551	6988	22268
5	CAM SCREW	1	SP1005-04	SP1005-05	SP1005-04	SP1005-05
6	SPLINE PLUG	1	4346	4346	4346	4346
7	IMPELLER	1	17935-0501	17935-0001	21676-0001	21676-0001
8	BODY	1	10634	10634	10494	10494
9	WEARPLATE	1	2574			
10	MECH SEAL ASSY	1	21849			
11	SLINGER	1	3181			
12	BEARING HOUSING	1	10594-0030			
13	LIP SEAL	1	SP2701-54			
14	BEARING (INNER)	1	SP2601-37			
15	BEARING (OUTER)	1	SP2601-41			
16	RETAINING RING (INT)	1	SP1701-244			
17	SHAFT ASSEMBLY	1	11268			
18	RETAINING RING	2	Y6026-08			
19	KEY	1	SP1402-04			
20	BOLT	1	SP1084-0100			
21	WASHER	4	SP1602-13			
22		4		All models	11256-01	11256-01

SK254

SK230

Service Kit

contains: Impeller, spline plug, seal assembly, gasket, end cover screws.
Mech. seal assembly consists of: carbon seal (rotary), ceramic seal (stationary), gasket.



4 - HOLES $\phi 3/8$ " - 24 UNF 2B
ON PC ϕM

