

28500 Series

Hygienic Stainless Steel Pedestal Pump

Features

- Self primes from dry up to 4.5 metres
- Flows up to 365 litres per minute
- Pressure up to 3.0 bar
- Handles soft solids - max. 18mm diameter
- Certified to US 3A Standard 02-09
- Clean-In-Place (CIP) or easy strip clean
- Handles viscosities up to 50,000 centiPoise
- Minimal shear to thixotropic fluids
- Easy to service and maintain



Typical Applications

- Foods, sauces, doughs, preserves, liquid egg, meat pastes
- Dairy products, milk, cream, yoghurt, cheeses
- Cosmetics, toothpaste, shampoos, soaps
- Pharmaceutical creams & lotions
- Wines, beers, soft drinks, fruit juices & syrups
- Ingredients unloading and transfer
- Tank filling and emptying
- Recirculation and mixing
- Portion and container filling
- Brine injection
- Sampling, filtration and more

Specifications

Seal : Carbon / Ceramic mechanical face seal
Tungsten Carbide / Ceramic hard faced seal
Flushed options for crystallising fluids

Seal Elastomer : Food grade Nitrile

Pump Head : Stainless steel 316, machined interior and electropolished exterior finish

End Cover : Stainless steel 316 grade

Shaft : Stainless steel 316 grade

Bearings : Greased ball bearings

Bearing Housing : Epoxy coated cast iron

Ports :			
2"	Tri-Clamp	28500-1xxx	
51mm	IDF/ISS	28500-3xxx	
2"	RJT to BS1864	28500-4xxx	
2"	3A Bevel Seat	28500-5xxx	
50mm	DIN 11851	28500-6xxx	
51mm	SMS 1145	28500-7xxx	

Model Range

Weight : 14.7kg


Pressure options	Medium - Max 2.5 bar		High - Max 3.0 bar		
	Elastomer option	3A Neoprene	E.P.D.M.	3A Neoprene	E.P.D.M.
Temperature range	4°C to 65°C		0°C to 120°C	4°C to 65°C	0°C to 120°C
Mechanical Seal Options					
Carbon/Ceramic	28500-x115		28500-x112	28500-x125	28500-x122
Tungsten Carbide/Ceramic hard faced	28500-x215			28500-x225	
Flushed Mechanical Seal					
Tungsten Carbide/Ceramic hard faced	28500-x715			28500-x725	
Carbon/Ceramic	28500-x915			28500-x925	

For models not listed above, consult distributor or factory, 'x' Substitute port code from table above


Note : it is not recommended to start the pump at extremes of the temperature range, impeller damage may occur

For Installation, Operating, Maintenance and Safety Instructions refer to form 43001-0543

⚠ WARNING Explosion hazard. Do not pump gasoline, solvents, thinners or other flammable liquids. To do so can cause an explosion resulting in injury or death.



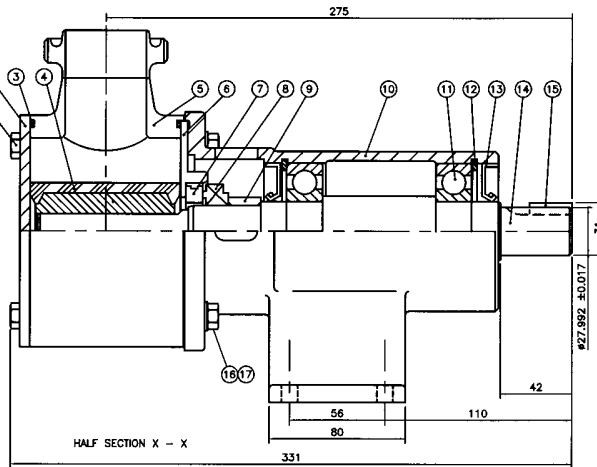
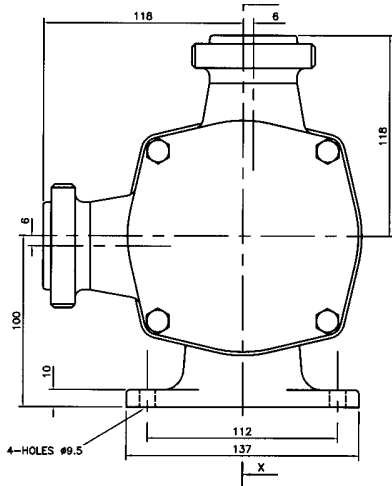
⚠ WARNING Injury hazard. Exposed pulleys and belts can cause injury. Install shield around pulleys and belts. Stay clear while machinery is operating.



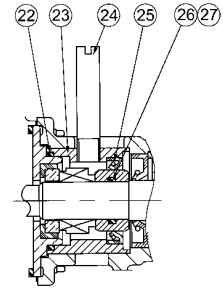
JABSCO®

370 Size Hygienic Stainless Steel FIP Pump

12/02



28500 Series



Dimensions in mm

For performance data refer to the 370 size flexible impeller pump performance curves

Parts List

Key	Description	Qty	Part Number
1	Screw	4	X3001-207F
2	Endcover	1	28505-0020
3	O'Ring *	2	See right
4	Impeller*	1	See right
5	Body	1	See right
6	Wearplate	1	28536-0000
7 / 8	Seal Assembly *	1	See right
9	Seal Spacer	1	28517-0000
10	Bearing Housing	1	28503-0000
11	Bearing	2	SP2601-23
12	Retaining Ring	2	SP1701-437
13	Lip seal (Bearing Housing)	2	SP2701-0912
14	Shaft	1	28507-0000
15	Key	1	X4000-487A
16	Washer	4	X3080-101K
17	Screw	4	X3001-211F
22	O-Ring	1	X4020-269A
23	Seal Housing	1	28512-0000
24	Tube	2	21844
25	Seal	1	SP2701-0915
26	O-Ring	1	X4020-229A
27	Seal Spacer	1	28517-0001

Parts marked * Contained in service kit

Spare Parts & Service Kits

Pressure Rating		Medium	High
3	O-Ring	Nitrile X4020-424A	X4020-424A
4	Impeller	3A Neoprene 8963-0005B	8600-0005B
		E.P.D.M. 8963-0002B	8600-0002B
5	Body	Tri-Clamp 28504-1000	28504-1000
		IDF/ISS 28504-3000	28504-3000
		RJT 28504-4000	28504-4000
		Bevel Seat 28504-5000	28504-5000
		DIN 28504-6000	28504-6000
		SMS 28504-7000	28504-7000
7 / 8	Seals	Std Mech. 28531-0103B	28531-0103B
		Hard Faced 28531-0203B	28531-0203B
Service Kit		3A Neoprene SK379-0115	SK379-0125
		E.P.D.M.	

Models with Neoprene and E.P.D.M. impellers use Nitrile elastomers on seals and O-rings.
NOTE:- Service Kits contain standard mechanical seals. For hard faced seals, order parts separately.

Other Available Options

Standard head kits, for close coupling to standard IEC motors.

Jabsco



ITT Industries

USA

Jabsco
20 Icon
Foothill Ranch
CA 92610

Tel : +1 949 859 4945
Fax : +1 949 859 1153

UK

Jabsco
Bingley Road
Hoddesdon
Hertfordshire, EN11 0BU

Tel : +44 (0) 1992 450 145
Fax : +44 (0) 1992 467 132

GERMANY

Jabsco GmbH
Oststraße 28
22844 Norderstedt

Tel : +49 (0) 40 53 53 73 0
Fax : +49 (0) 40 53 53 73 11

Warranty: All products of the company are sold and all services of the company are offered subject to the company's warranty and terms and conditions of sale, copies of which will be furnished upon request. The information provided herein is for guidance only, it does not constitute a guarantee of the performance or specification of any individual product or component.

©Copyright 2002 ITT Industries

43010-0026