

## 28420 Series

### Hygienic Stainless Steel Head Kit Pump

#### Features

- Self primes from dry up to 5.0 metres
- Flows up to 200 litres per minute
- Pressure up to 2.5 bar†
- Handles soft solids - max. 16mm diameter
- Certified to US 3A Standard 02-09
- Clean-In-Place (CIP) or easy strip clean
- Handles viscosities up to 10,000 centiPoise
- Minimal shear to thixotropic fluids
- Fits IEC standard motor B3/B14, frame 90



#### Typical Applications

- Foods, sauces, doughs, preserves, liquid egg, meat pastes
- Dairy products, milk, cream, yoghurt, cheeses
- Cosmetics, toothpaste, shampoos, soaps
- Pharmaceutical creams & lotions
- Wines, beers, soft drinks, fruit juices & syrups
- Ingredients unloading and transfer
- Tank filling and emptying
- Recirculation and mixing
- Portion and container filling
- Brine injection
- Sampling, filtration and more

#### Specifications

**Seal** : Carbon / Ceramic mechanical face seal  
Tungsten Carbide / Ceramic hard faced seal  
Flushed options for crystallising fluids

**Seal Elastomer** : Food grade Nitrile

**Pump Head** : Stainless steel 316, machined interior and electropolished exterior finish

**End Cover** : Stainless steel 316 grade

**Shaft** : Stainless steel 316 grade shaft extension

**Bearings** : Uses motor bearings

**Motor Adaptor** : Epoxy coated cast iron


Ports :			
1½"	Tri-Clamp		28420-1xxx
38mm	IDF/ISS		28420-3xxx
1½"	RJT to BS1864		28420-4xxx
1½"	3A Bevel Seat		28420-5xxx
40mm	DIN 11851		28420-6xxx
38mm	SMS 1145		28420-7xxx

#### Model Range

**Weight** : 6.6kg

Pressure options	Medium - Max 2.5 bar†			
Elastomer option	3A Neoprene	E.P.D.M.		
Temperature range	4°C to 65°C	0°C to 120°C		
<b>Mechanical Seal Options</b>				
Carbon/Ceramic	28420-x115			
Tungsten Carbide/Ceramic hard faced	28420-x215			
<b>Flushed Mechanical Seal</b>				
Tungsten Carbide/Ceramic hard faced	28420-x715			
Carbon/Ceramic				
For models not listed above, consult distributor or factory, 'x' Substitute port code from table above				
<b>Note</b> : it is not recommended to start the pump at extremes of the temperature range, impeller damage may occur				
For Installation, Operating, Maintenance and Safety Instructions refer to form 43001-0543				

**⚠ WARNING** Explosion hazard. Do not pump gasoline, solvents, thinners or other flammable liquids. To do so can cause an explosion resulting in injury or death.



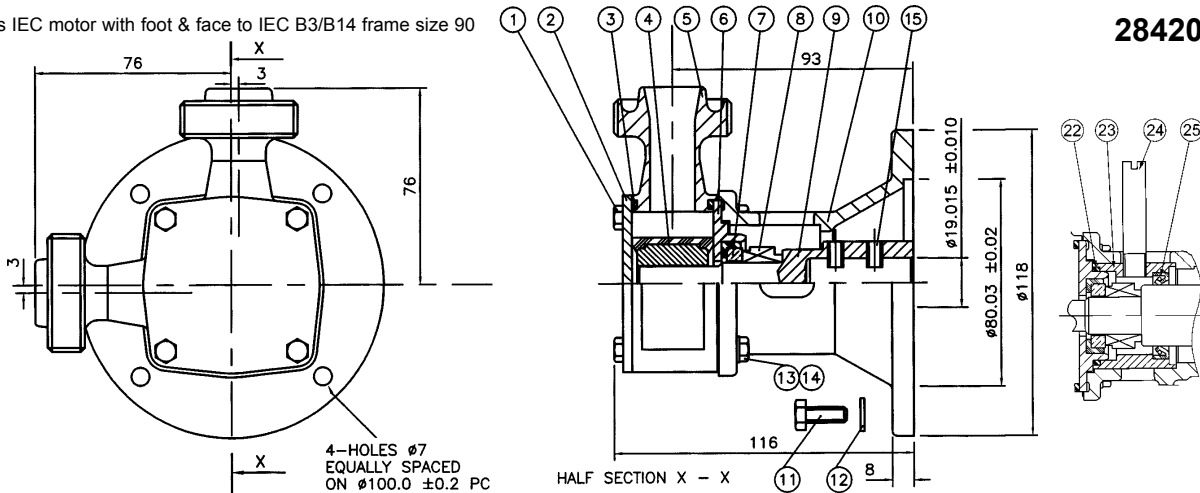
† Pressures over 1.4 bar may reduce motor shaft life

**JABSCO®**

# 200 Size Hygienic Stainless Steel FIP Pump

**12/02**

Fits IEC motor with foot &amp; face to IEC B3/B14 frame size 90

**28420 Series**

Dimensions in mm

For performance data refer to the 200 size flexible impeller pump performance curves

## Parts List

Key	Description	Qty	Part Number
1	Screw	4	X3001-207F
2	Endcover	1	28405-0020
3	O'Ring *	2	See right
4	Impeller*	1	See right
5	Body	1	See right
6	Wearplate	1	28436-0000
7 / 8	Seal Assembly *	1	See right
9	Shaft Extension	1	28427-0001
10	Motor Adaptor	1	28423-0000
11	Screw	4	X3001-209F
12	Washer	4	X3080-101K
13	Screw	4	X3001-209F
14	Washer	4	X3080-101F
15	Set Screw	2	X3009-207A
22	O-Ring	1	X4020-261A
23	Seal Housing	1	28412-0000
24	Tube	2	21844
25	Seal	1	SP2701-0915

Parts marked \* Contained in service kit

## Spare Parts & Service Kits

Pressure Rating	Medium	
3 O-Ring	Nitrile	X4020-399A
4 Impeller	3A Neoprene	14346-0005B
	E.P.D.M.	14346-0002B
5 Body	Tri-Clamp	28404-1000
	IDF/ISS	28404-3000
	RJT	28404-4000
	Bevel Seat	28404-5000
	DIN	28404-6000
7 / 8 Seals	SMS	28404-7000
	Std Mech.	28431-0103B
	Hard Faced	28431-0203B
Service Kit	3A Neoprene	SK378-0115
	E.P.D.M.	

Models with Neoprene and E.P.D.M. impellers use Nitrile elastomers on seals and O-rings.

NOTE:- Service Kits contain standard mechanical seals. For hard faced seals, order parts separately.

## Other Available Options

Pedestal pumps, for higher pressure capability.

**Jabsco****ITT Industries****USA**

**Jabsco**  
20 Icon  
Foothill Ranch  
CA 92610

Tel : +1 949 859 4945  
Fax : +1 949 859 1153

**UK**

**Jabsco**  
Bingley Road  
Hoddesdon  
Hertfordshire, EN11 0BU

Tel : +44 (0) 1992 450 145  
Fax : +44 (0) 1992 467 132

**GERMANY**

**Jabsco GmbH**  
Oststraße 28  
22844 Norderstedt

Tel : +49 (0) 40 53 53 73 0  
Fax : +49 (0) 40 53 53 73 11

Warranty: All products of the company are sold and all services of the company are offered subject to the company's warranty and terms and conditions of sale, copies of which will be furnished upon request. The information provided herein is for guidance only, it does not constitute a guarantee of the performance or specification of any individual product or component.

©Copyright 2002 ITT Industries

43010-0035