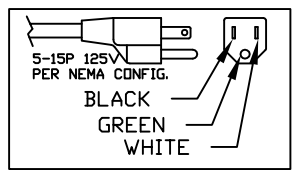
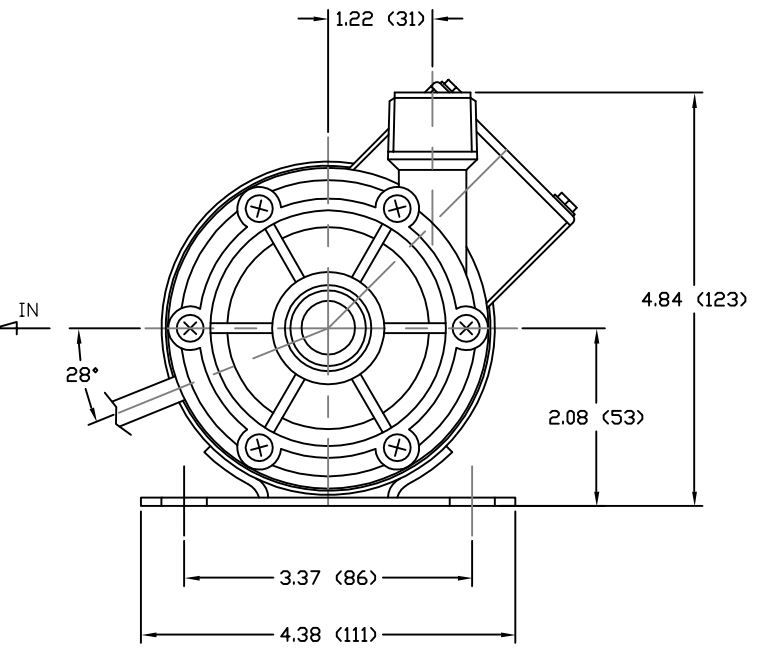
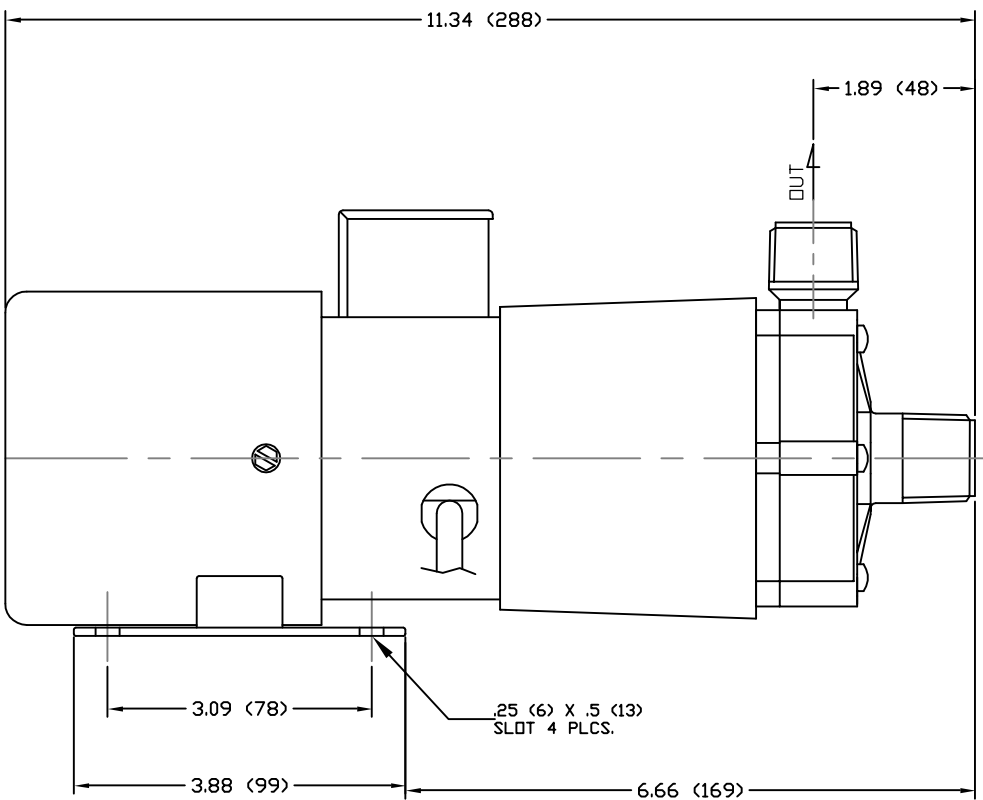


1 2 3 4 5 6 7 8 9 10 11 12 13 14 15 16 17 18 19 20 21 22 23 24 25

PART OR DRAWING NO.
IF20603

REV.
A

A
B
C
D
E
F
G
H
I
J
K
L
M
N
O
P
Q
R
S



- NOTES:
1. DRAWING MAY VARY FROM ACTUAL PRODUCT.
 2. DRAWN TO SCALE PER 2Z000414.
 3. REFER TO DRAWING 54214 & 54219.
 4. DIMENSIONS ARE IN INCHES (MM).

MATERIALS

CASING	GFRPP
IMPELLER	GFRPP
SPINDLE	ALUMINA CERAMIC
BEARING	PTFE
THRUST RING	ALUMINA CERAMIC
O-RING	FKM

SPECIFICATIONS

MAX CAPACITY	13.7 GPM (51.9 LPM)
MAX HEAD	21.3 FT (6.49 M)
MAWP	14.22 PSI (.1 MPA)
VOLTAGE	115 VAC
CURRENT	1.9 A
CORD LENGTH	75 IN ± 2 IN (1.91 M ± .05 M)
WEIGHT	10 LBS (4.54 KG)
SUCTION	3/4 IN NPT - MALE
DISCHARGE	3/4 IN NPT - MALE

ECO#	DESCRIPTION				DATE	REV. LTR.	
MATERIAL SEE CHART							
GJS	05	04	05	XXX	1	PART OR DWG. NO. IF20603	
DRAWN	DAY	MO.	YR.	RELEASED	SHEET NO.		
			5 Boynton Rd. Hopping Brook Park Holliston, MA 01746 (508) 429-1440 www.IwakiAmerica.com				REV. A
			TITLE MAG DRIVE PUMP WMD-40RLT (115V)				