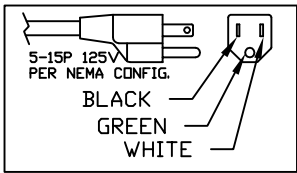
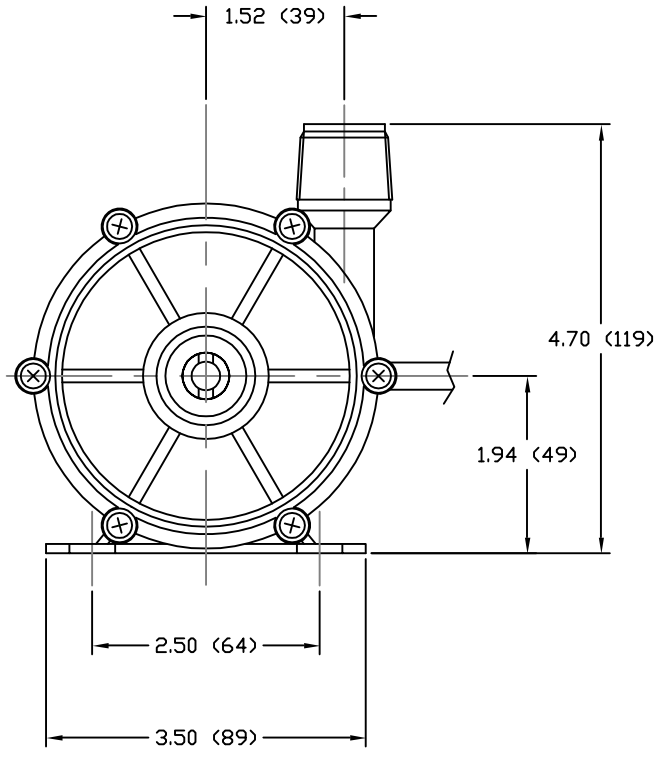
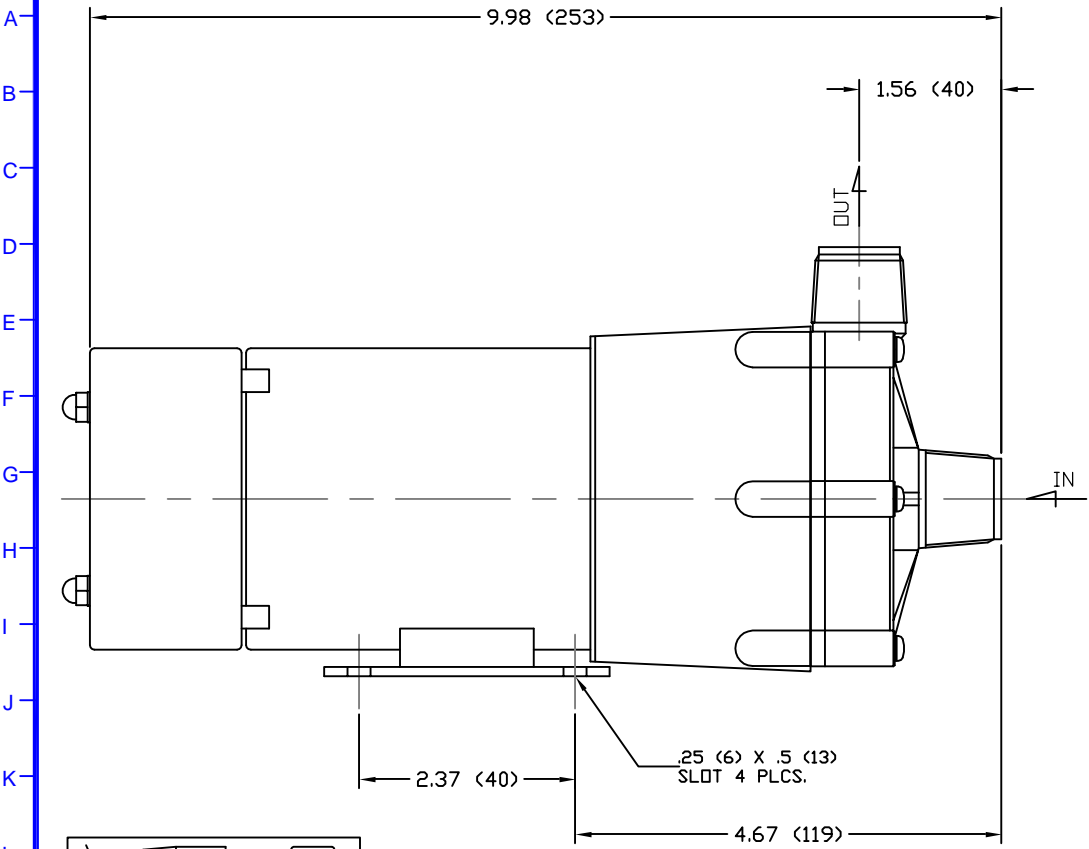


1 2 3 4 5 6 7 8 9 10 11 12 13 14 15 16 17 18 19 20 21 22 23 24 25

PART OR DRAWING NO. IF20599 REV. A



- NOTES:
 1. DRAWING MAY VARY FROM ACTUAL PRODUCT.
 2. DRAWN TO SCALE PER 2Z000405.
 3. REFER TO DRAWING 54206 & 54219.
 4. DIMENSIONS ARE IN INCHES (MM).

SPECIFICATIONS

MAX CAPACITY	2.9 GPM (11 LPM)
MAX HEAD	22.6 FT (6.9 M)
MAWP	14.22 PSI (0.1 MPA)
VOLTAGE	115 VAC
CURRENT	.53 A
CORD LENGTH	72 IN ± 2 IN (1.83 M ± .05 M)
WEIGHT	7 LBS (3.2 KG)
SUCTION	3/4 IN NPT - MALE
DISCHARGE	3/4 IN NPT - MALE

MATERIALS

CASING	GFRPP
IMPELLER	GFRPP
SPINDLE	ALUMINA CERAMIC
BEARING	PTFE
THRUST RING	ALUMINA CERAMIC
O-RING	FKM

ECO#	DESCRIPTION	DATE	REV. LTR.
MATERIAL SEE CHART			
GJS	06 04 05	XXX	1
DRAWN	DAY	MO.	YR.
	RELEASED	SHEET NO.	
		5 Boynton Rd. Hopping Brook Park Holliston, MA 01746 (508) 429-1440 www.IwakiAmerica.com	
TITLE			
MAG DRIVE PUMP			A
WMD-20RLZT (115V)			REV.

PART OR DWG. NO. IF20599