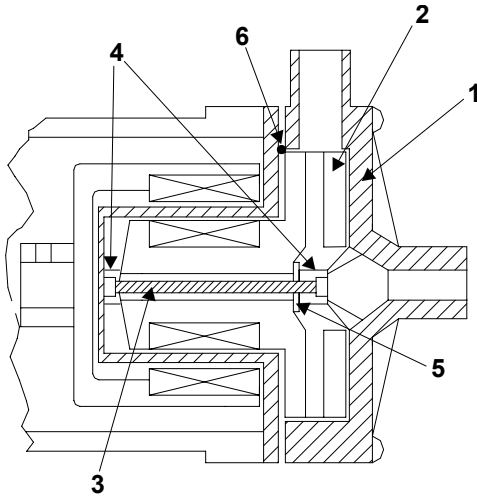
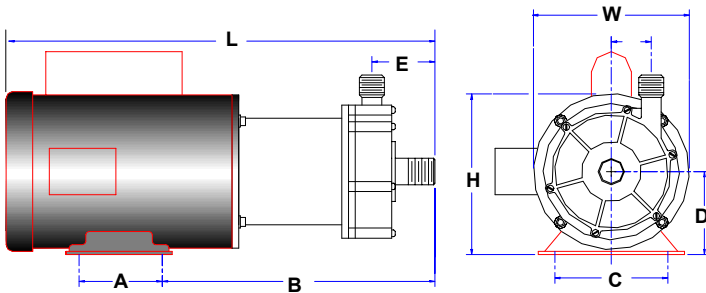
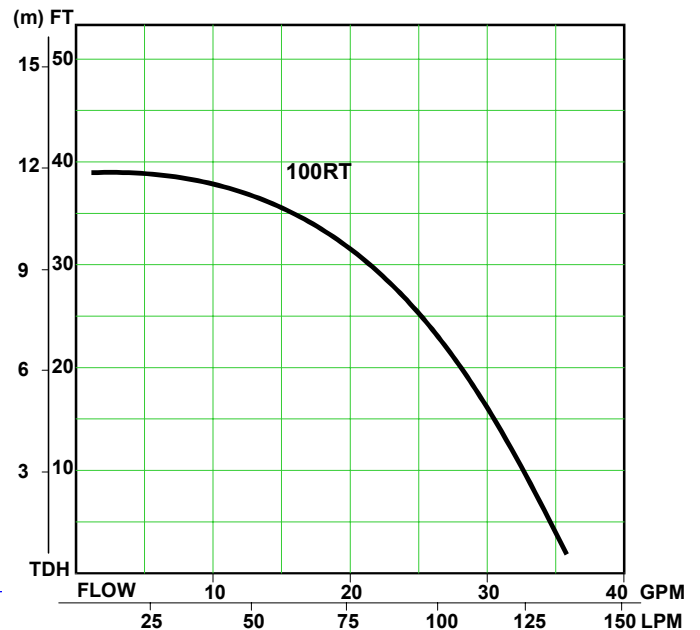


WMD-100



- Twin bearing system handles thrust loads, extends service life
- Hollow rotating spindle / Internal cooling circuit reduces bearing temperature
- Compact / Quiet energy efficient design
- Few moving parts for easy maintenance
- Other sizes, voltages & materials available

| Part | Material |
|---------------|----------------|
| 1 Casing | GFRPP |
| 2 Impeller | GFRPP or CFRPP |
| 3 Spindle | Ceramic |
| 4 Bearing | PTFE |
| 5 Thrust ring | Ceramic or PE |
| 6 O-ring | FKM or EPDM |



Dimensions (inches) and Specifications

| Model | W | H | L | A | B | C | D | E | F |
|-------------|------|------|---|------|-------|------|------|------|------|
| WMD-100R(T) | 6.60 | 6.80 | * | 3.00 | 12.05 | 4.88 | 3.50 | 2.55 | 1.71 |

* Varies with motor manufacturer

| Model | CONNECTIONS | | MOTOR | | AMPS 115V | MAX FLOW GPM | MAX HEAD FT | MAX SYS PRESSURE PSI | S.G. | WEIGHT LBS |
|---------|-------------|------|----------------|----------------|--------------|--------------------|-------------------|----------------------------|------|---------------|
| | HOSE | NPTM | OUTPUT (HP) | SPEED (RPM) | | | | | | |
| WMD-100 | 1 | 1 | 1/3 | 3600 | 3.4* | 35.6 | 39.0 | 25.6 | 1.2 | * |