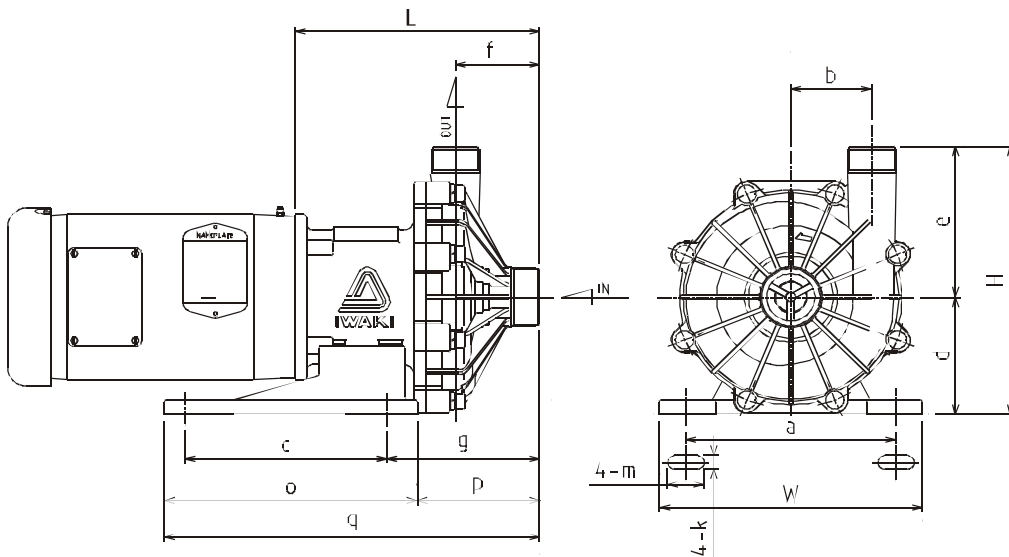


Model	MX-403	
Mark	CV (CE)	RV (RE)
1 Front casing	GFRPP	
2 Impeller	GFRPP	
3 Rear casing	GFRPP	
4 Magnet capsule	PP	
5 O-ring	FKM*	
6 Spindle	Alumina Ceramic	
7 Bearing	Carbon	PTFE
8 Rear thrust	CFRPEEK	
9 Mouth ring	PTFE	
10 Thrust/Liner ring	Alumina Ceramic	
11 Lock pin	GFRPPS	

* EPDM and AFLAS® O-ring also available.

MX-403 3 HP

- Engineered to meet the most severe operating conditions.
- When fitted with a carbon bearing, the MX will allow for brief periods of dry running.
- The MX Series is the first resin magnet pump that uses a *Split Volute Pump Casing* that forms a vortex chamber.
- Self-radiating structure (patent pending) – Heat dispersion holes force the liquid to circulate around the spindle and bearing .



Dimensions (in inches)

a	b	c	d	e	f	g	k	n	o	p	q	W	H	L
8.19	3.15	7.87	4.72	6.06	3.27	5.94	.47	1.42	9.84	4.76	14.61	10.24	10.78	9.53

Specifications

Suction x Discharge	Maximum Discharge Pressure	Maximum Flow	Specific Gravity	Weight (less motor)
2" x 1.5"	101 ft.	130 gpm	1.2	32 lbs

