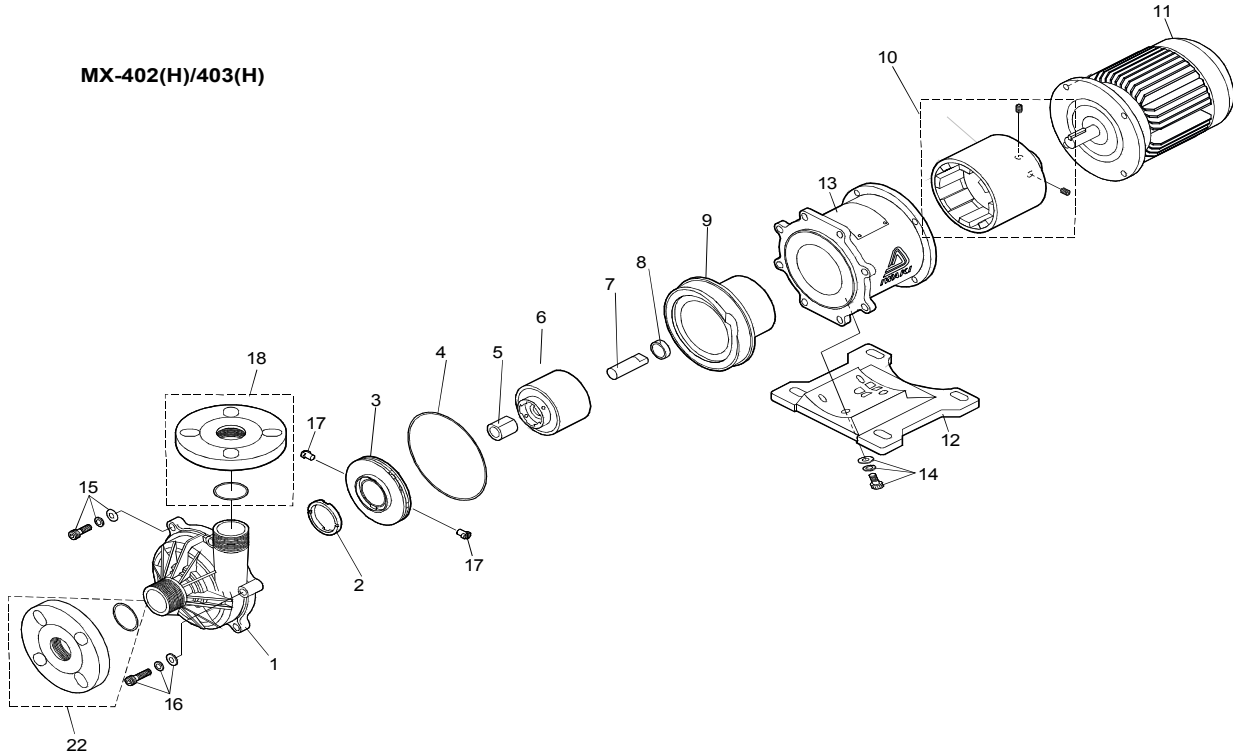


MX (F) 402(H)- 403(H) Parts List

MX-402(H)/403(H)



SHADED ITEMS ARE RECOMMENDED SPARE PARTS

Item #	Part Number	Description
Item 1 Front Casing	MX0404	Casing, Front, MX-402/403, GFRPP/Alumina Ceramic
	MX0407	Casing, Front MX-402H/403H, GFRPP/Alumina Ceramic
	MX0409	Casing, Front, MX-F250/CF/RF/AF, CFRETFE/Al. Ceramic
	MX0410	Casing, Front, MX-F250/KK, CFRETFE/SiC
	MX0415	Casing, Front, MX-F402/403CF/RF,CFRETFE,Al. Ceramic
	MX0416	Casing, Front, MX-F402/403KK, CFRETFE/SiC
Item 2 Mouth Ring	MX0303	Thrust Collar, Front, Inboard, MX-(F)402/403CF/RF, PTFE
	MX0484	Mouth Ring, MX-F402/403KK, SiC
Item 3 Impeller specify impeller trim when placing order	MX0305	Impeller, MX-402__6, GFRPP
	MX0320	Impeller, MX-402H/403, GFRPP
	MX0304	Impeller, MX-403H, GFRPP
	MX0486	Impeller, MX-F402X, CFRETFE
	MX0491	Impeller, MX-F403X, CFRETFE
Item 4 Casing O-Ring	MX0180	O-ring, Casing, MX-(F)402(H)/403(H), FKM
	MX0302	O-ring, Casing, MX-(F)402(H)/403(H), EPDM
	MX0776	O-ring, Casing, MX-(F)402(H)/403(H), Aflas®

MX (F) 402(H)- 403(H) Parts List

Item #	Part Number	Description
Item 5&6 Magnet Capsule Assembly w/Bearing	MX0178	Magnet Cap Asm, MX-402CV/CE, GFRPP/Carbon
	MX0179	Magnet Cap Asm, MX-402RV/RE, GFRPP/PTFE
	MX0186	Magnet Cap Asm, MX-403CV/CE, GFRPP/Carbon
	MX0187	Magnet Cap Asm, MX-403RV/RE, GFRPP/PTFE
	MX0453	Magnet Cap Asm, MX-F402CF, CFRETFE/Carbon
	MX0454	Magnet Cap Asm, MX-F402RF, CFRETFE/PTFE
	MX0455	Magnet Cap Asm, MX-F402KK, CFRETFE/SiC
	MX0462	Magnet Cap Asm, MX-F403CF, CFRETFE/Carbon
	MX0463	Magnet Cap Asm, MX-F403RF, CFRETFE/PTFE
	MX0464	Magnet Cap Asm, MX-F403KK, CFRETFE/SiC
Item 7 Shaft	MX0182	Shaft, MX-(F)402/403/CF/RF, Alumina Ceramic
	MX0456	Shaft, MX-F402/403KK, SiC
Item 8 Rear Thrust	MX0183	Thrust Collar,Rear,MX-402(H)/403(H)CV/RV/AV,CFRPEEK
	MX0457	Thrust Collar, Rear, MX-F402/403,CFRPFA
Item 9 Rear Casing	MX0175	Casing, Rear, MX-402/403, GFRPP
	MX0189	Casing, Rear, MX-402H/403H, GFRPP
	MX0448	Casing, Rear, MX-F402/403, CFRETFE
Item 10 Drive Magnet	MX0405	Magnet Asm, Drive, MX-(F)402, NEMA, Neodymium
	MX0408	Magnet Asm, Drive, MX(F)403, NEMA, Neodymium
Item 12 Baseplate	MX0311	Base, MX-(F)402-403(H), GFRPP
Item 13 Motor Adapter	MX0406	Adapter, Motor, MX-(F)402(H)/403(H), DCI
Item 14	MX0219	Hex.head bolt w/PW,SW,MX(F)250-403(for base),M8x20
Item 15 Casing Bolt	MDH0138	Hex. Head Cap bolt, MX-(F)402(H)/F403H, M8X35, Req'd (7)
Item 16 Long Casing Bolt	MX0313	Hex. Head Cap bolt, MX-(F)402(H)/F403H, M8X35, Req'd (1)
Item 17	MX0308	Pin, Impeller, MX-402(H)/03(H), CFRPPS
	MX0489	Pin, Impeller, MX-F402/403, CFRETFE