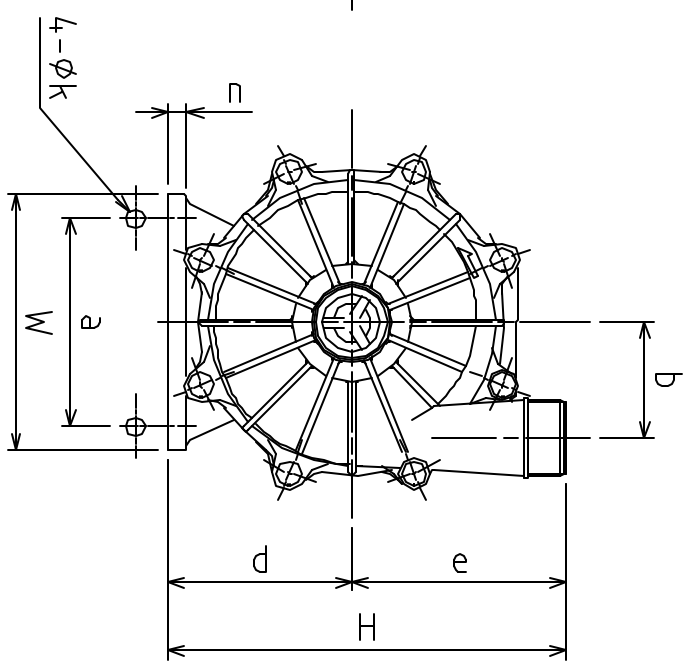
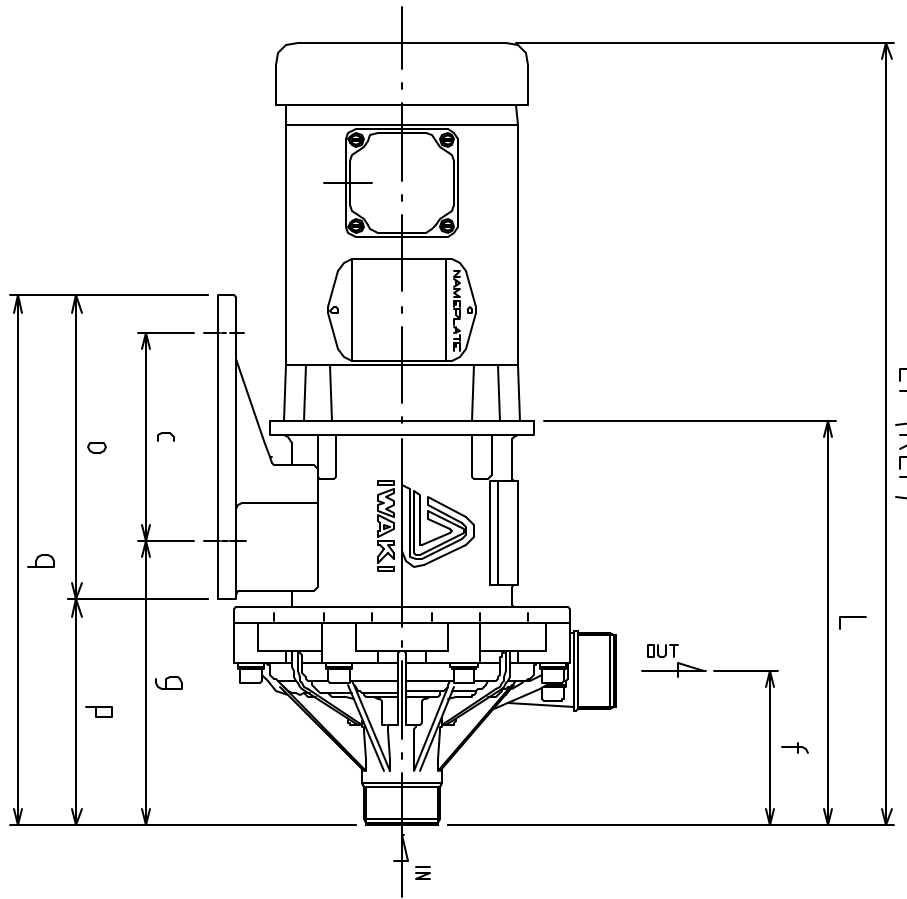


PART OR DRAWING NO.
IF20499
REV. A




- NOTES:**
- 1) SHAPE OF PRODUCT ON DRAWING MAY DIFFER FROM ACTUAL PRODUCT ON SOME POINTS.
 - 2) SOME DIMENSIONS MAY VARY.
 - 3) FLANGES AVAILABLE UPON REQUEST.
 - 4) PUMP DRAWN FROM Z2B4Q256X.

MODEL	SUCTION	DISCHARGE
MX-IF401	1.5" MNPT	1.5" MNPT

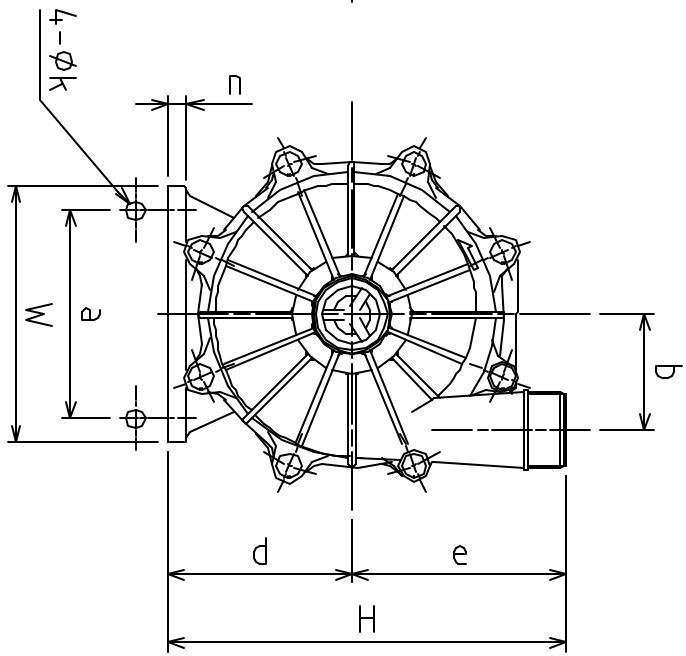
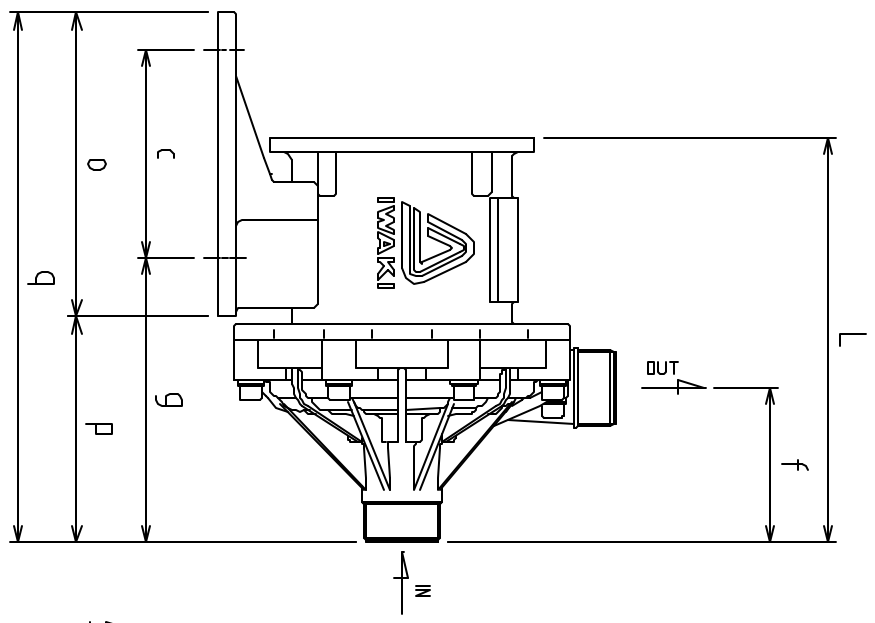
MODEL	HP/FRAME	W	H	L	L+ (REF)
MX-IF401	1 / 56C	6.30	9.81	9.96	19.25
MX-IF401	1.5 / 56C	6.30	9.81	9.96	19.87

MODEL	a	b	c	d	e	f	g	k	n	o	p	q
MX-IF401	5.12	2.83	5.12	4.53	5.28	3.82	7.01	.47	.47	7.48	5.55	13.03

ECO#	DESCRIPTION			DATE	REV. L TR.
MATERIAL	GFRPP (CFRTEF)				
CJC	15	12	03		
DRAWN	DAY	MO.	YR.	RELEASED	SHEET NO.
 Iwaki Walchem Corp. 6 Boynton Rd. Hopping Brook Park Holliston, MA 01748 www.IwakiWalchem.com (508)428-1440					
TITLE	MX-(F)401, 1				REV. A
1/1.5 HP / 56C FRAME					

1 2 3 4 5 6 7 8 9 10 11 12 13 14 15 16 17 18 19 20 21 22 23 24 25

PART OR DRAWING NO.
IF20500
REV. A



NOTES:
 1) SHAPE OF PRODUCT ON DRAWING MAY DIFFER FROM ACTUAL PRODUCT ON SOME POINTS.
 2) SOME DIMENSIONS MAY VARY.
 3) FLANGES AVAILABLE UPON REQUEST.
 4) PUMP DRAWN FROM Z2B4Q256X.

MODEL	SUCTION	DISCHARGE
MX-IF1401	1.5" MNPT	1.5" MNPT

MODEL	HP/FRAME	W	H	L
MX-IF1401	1/1.5 / 56C	6.30	9.81	9.96

MODEL	a	b	c	d	e	f	g	k	n	o	p	q
MX-IF1401	5.12	2.83	5.12	4.53	5.28	3.82	7.01	.47	.47	7.48	5.55	13.03

ECO#	DESCRIPTION	DATE	REV. L TR.

Iwaki Walchem Corp.
 6 Boynton Rd.
 Hopping Brook Park
 Holliston, MA 01748
 www.IwakiWalchem.com (508)428-1440

TITLE
 MX-(F)401, 2
 1/1.5 HP / 56C FRAME

S R Q P O N M L K J I H G F E D C B A

PART OR DWG NO. MX-(F)401, 2

REV. A