


- NOTES:**
- 1) SHAPE OF PRODUCT ON DRAWING MAY DIFFER FROM ACTUAL PRODUCT ON SOME POINTS.
 - 2) SOME DIMENSIONS MAY VARY.
 - 3) FLANGES AVAILABLE UPON REQUEST.
 - 4) PUMP DRAWN FROM Z2B4Q2547 & Z2B4Q2548.

MODEL	SUCTION	DISCHARGE
MX-IF250	1" MNPT	1" MNPT
MX-251	1" MNPT	1" MNPT

MODEL	HP/FRAME	W	H	L	Lt (REF)
MX-IF250	.5 / 56C	6.30	9.75	9.39	18.68
MX-251	1 / 56C	6.30	9.75	9.39	18.68

MODEL	a	b	c	d	e	f	g	k	n	o	p	q
MX-IF250	5.12	2.56	5.12	4.53	5.22	3.25	6.12	.47	.47	7.48	4.67	12.15
MX-251	5.12	3.00	5.12	4.53	5.22	3.25	6.44	.47	.47	7.48	4.98	12.46

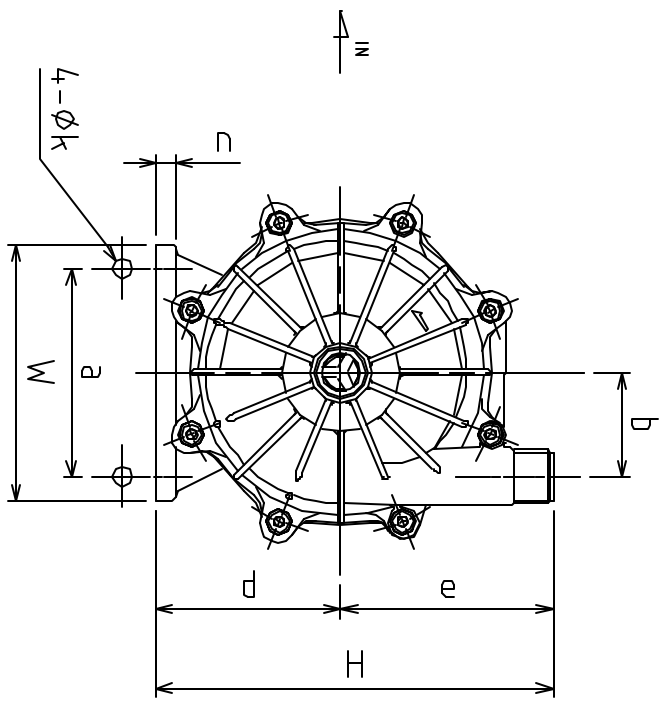
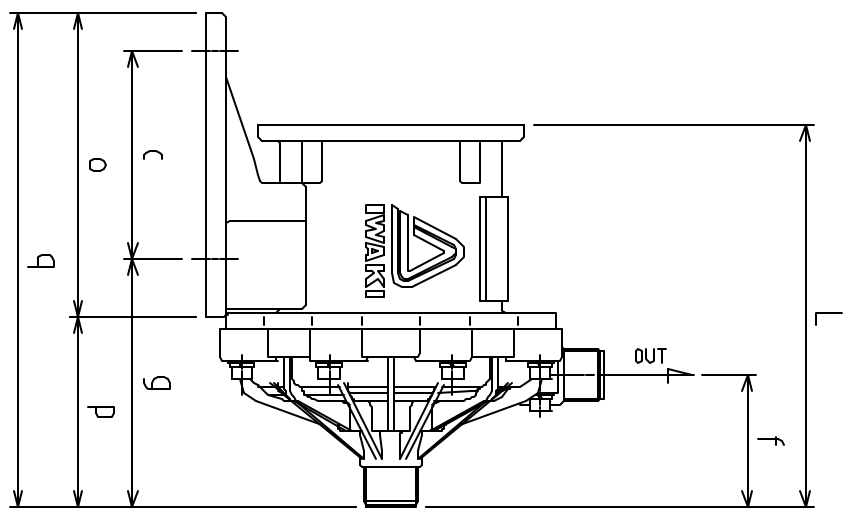
ECO#	DESCRIPTION		DATE	REV. L TR.
MATERIAL	GERPP ICFRETFE			
CJC	15	12	03	
DRAWN	DAY	MO.	YR.	RELEASED
				SHEET NO.


Iwaki Walchem Corp.
 6 Boynton Rd.
 Hopping Brook Park
 Holliston, MA 01748
 www.IwakiWalchem.com (508)428-1440

TITLE: MX-(F)250, 1
 .5/1 HP / 56C FRAME

PART OR DWG NO. MX-(F)250, 1
 REV. A

IF 20496 A



- NOTES:**
 1) SHAPE OF PRODUCT ON DRAWING MAY DIFFER FROM ACTUAL PRODUCT ON SOME POINTS.
 2) SOME DIMENSIONS MAY VARY.
 3) FLANGES AVAILABLE UPON REQUEST.
 4) PUMP DRAWN FROM 22B402547 & 22B402548.

MODEL	SUCTION	DISCHARGE
MX-IF250	1" MNP T	1" MNP T
MX-251	1" MNP T	1" MNP T

MODEL	HP/FRAME	W	H	L
MX-IF250	.5 / 56C	6.30	9.75	9.39
MX-251	1 / 56C	6.30	9.75	9.39

MODEL	a	b	c	d	e	f	g	k	n	o	p	q
MX-IF250	5.12	2.56	5.12	4.53	5.22	3.25	6.12	.47	.47	7.48	4.67	12.15
MX-251	5.12	3.00	5.12	4.53	5.22	3.25	6.44	.47	.47	7.48	4.98	12.46

ECD#	DESCRIPTION	DATE	REV. L TR.

Iwaki Walchem Corp.
 5 Boynton Rd.
 Hopping Brook Park
 Holliston, MA 01746
 www.iwakivalchem.com (800)429-1440

TITLE
 MX-(F)250, 1
 .5/1 HP / 56C FRAME

PART OR DWG. NO.
 MX-(F)250, 2

REV.
 A