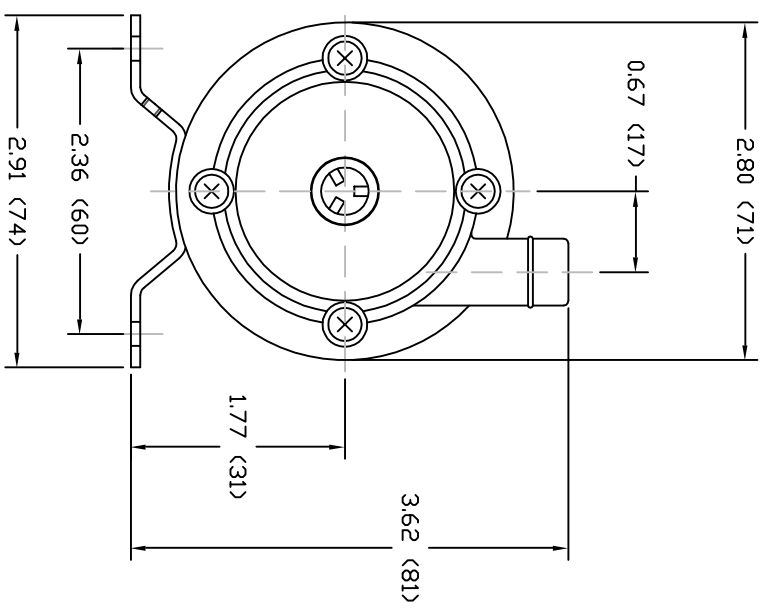
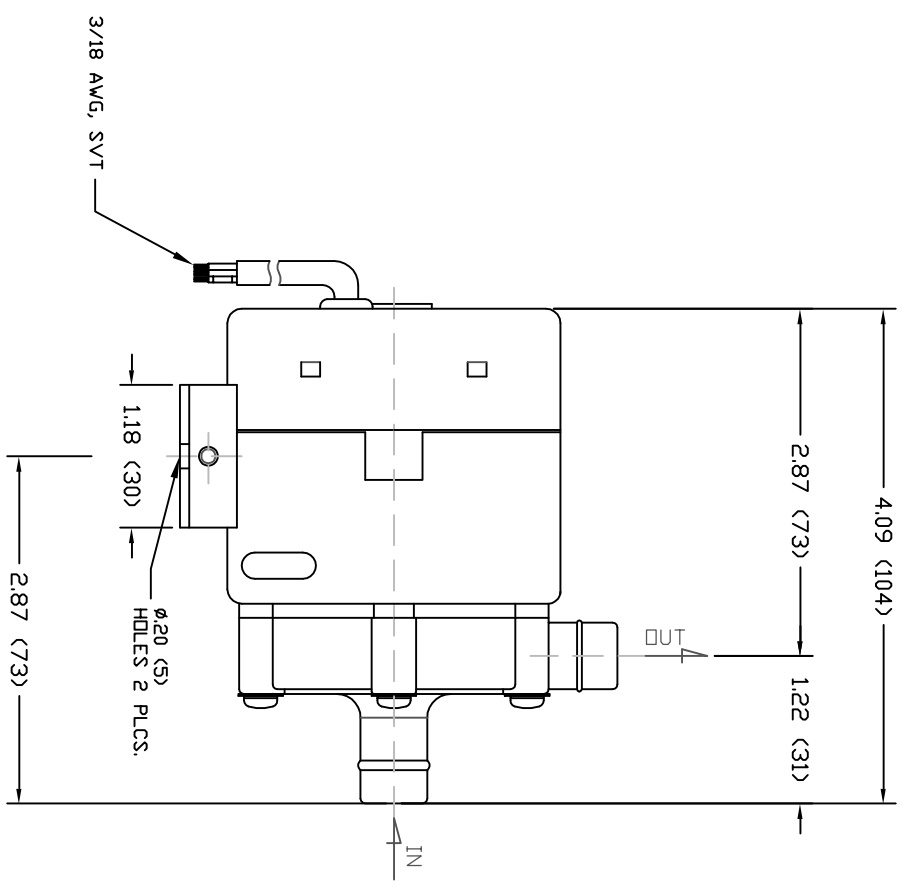


PART OR DRAWING NO. IF20563 REV. A



- NOTES:
1. DRAWING MAY VARY FROM ACTUAL PRODUCT.
  2. REFER TO SPECIFICATIONS C910651 AND C910655.
  3. DRAWN FROM Z2000344 TO SCALE.
  4. DIMENSIONS ARE IN INCHES (MM).

MATERIALS

	SPECIFICATIONS-6L	SPECIFICATIONS-10L
MAX CAPACITY	2.3 GPM (8.7 LPM)	3.1 GPM (11.7 LPM)
MAX HEAD	4.5 FT (1.4 M)	6.8 FT (2.1 M)
MAWP	2.8 PSI (0.2 MPa)	4.3 PSI (0.3 MPa)
VOLTAG	115 VAC	115 VAC
CURRENT	.25 A	.4 A
CORD LENGTH	39.4 IN (1 M)	39.4 IN (1 M)
WEIGHT	1.77 LBS (.8 KG)	1.61 LBS (.73 KG)
SUCTION	1/2 IN HOSE	1/2 IN HOSE
DISCHARGE	1/2 IN HOSE	1/2 IN HOSE

ECO#	DESCRIPTION	DATE	REV. LTR.
	MATERIAL SEE CHART		
GJS	04 03 05 XXX	1	IF20563
DRAWN	DAY MO. YR. RELEASED	SHEET NO.	PART OR DWG. NO.


 5 Boynton Rd.  
 Hopping Brook Park  
 Holliston, MA 01746  
 (508) 429-1440  
[www.iwakiAmerica.com](http://www.iwakiAmerica.com)

TITLE  
 MAG DRIVE PUMP  
 MD-6L,10L (115V)