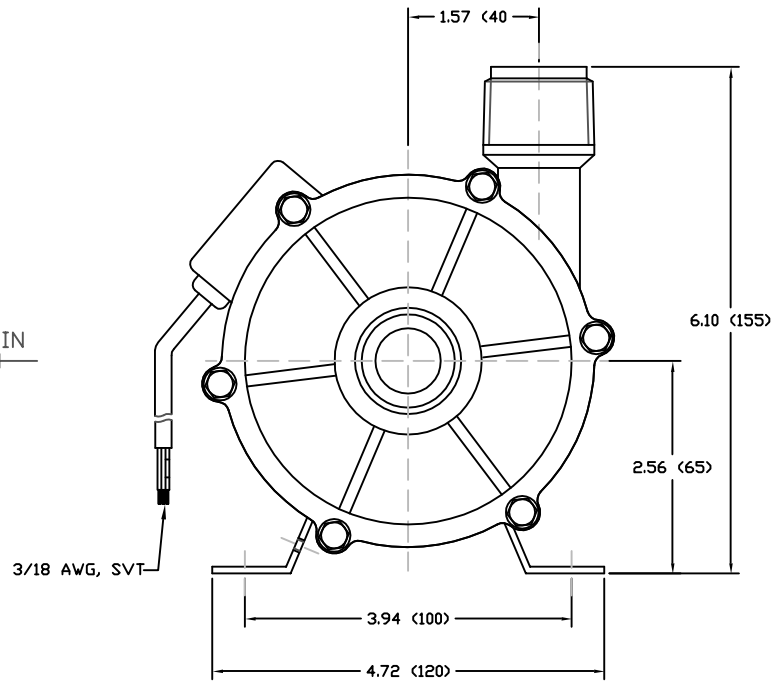
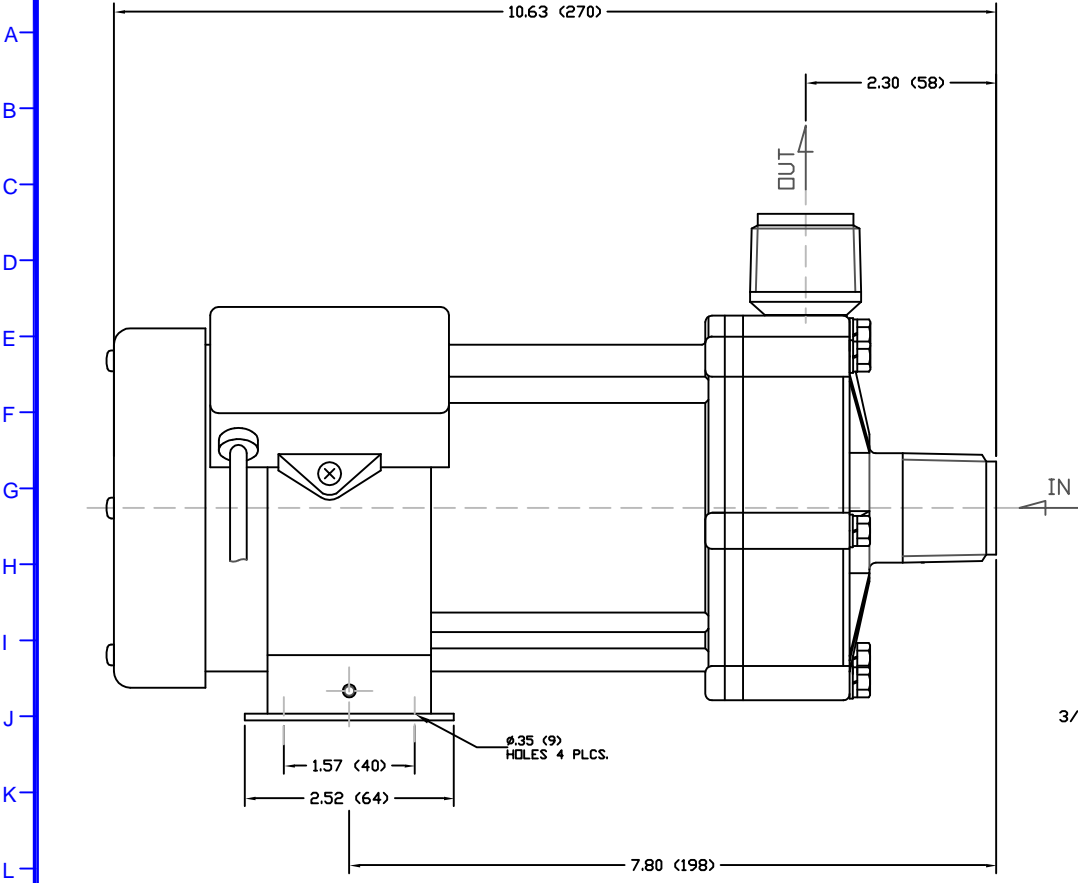


1 2 3 4 5 6 7 8 9 10 11 12 13 14 15 16 17 18 19 20 21 22 23 24 25

PART OR DRAWING NO. IF20575 REV. A



- NOTES:
 1. DRAWING MAY VARY FROM ACTUAL PRODUCT
 2. DRAWN FROM 2Z000417 TO SCALE.
 3. REFER TO CONSTRUCTION DRAWING 2A32494.
 4. DIMENSIONS ARE IN INCHES (MM).

| SPECIFICATIONS | |
|----------------|---------------------|
| MAX CAPACITY | 17.1 GPM (64.7 LPM) |
| MAX HEAD | 25.6 FT (7.8M) |
| MAWP | 21.3 PSI (1.5 MPA) |
| VOLTAGE | 115 VAC |
| CURRENT | 1.9 A |
| CORD LENGTH | 39.4 IN (1 M) |
| WEIGHT | 11.9 LBS (5.4 KG) |
| SUCTION | 1 IN NPT - MALE |
| DISCHARGE | 1 IN NPT - MALE |

| MATERIALS | |
|-------------|---------|
| CASING | CFRETFE |
| IMPELLER | CFRETFE |
| SPINDLE | SIC |
| BEARING | SIC |
| THRUST RING | SIC |
| O-RING | FKM-A |

| ECO# | DESCRIPTION | DATE | REV. LTR. |
|-----------------------------------|-------------|--|-----------|
| MATERIAL SEE CHART | | | |
| GJS | 04 03 05 | XXX | 1 |
| DRAWN | DAY MO. YR. | RELEASED | SHEET NO. |
| | | 5 Boynton Rd. Hopping Brook Park Holliston, MA 01746 (508) 429-1440 www.IwakiAmerica.com | |
| TITLE | | | REV. |
| MAG DRIVE PUMP MD-55LFY (115V) | | | A |

PART OR DWG. NO. IF20575