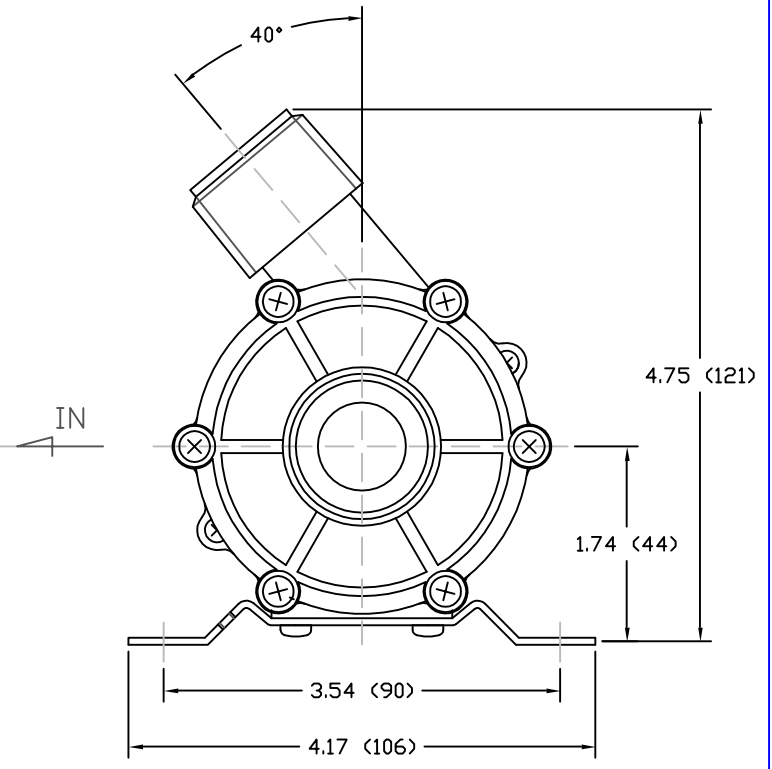
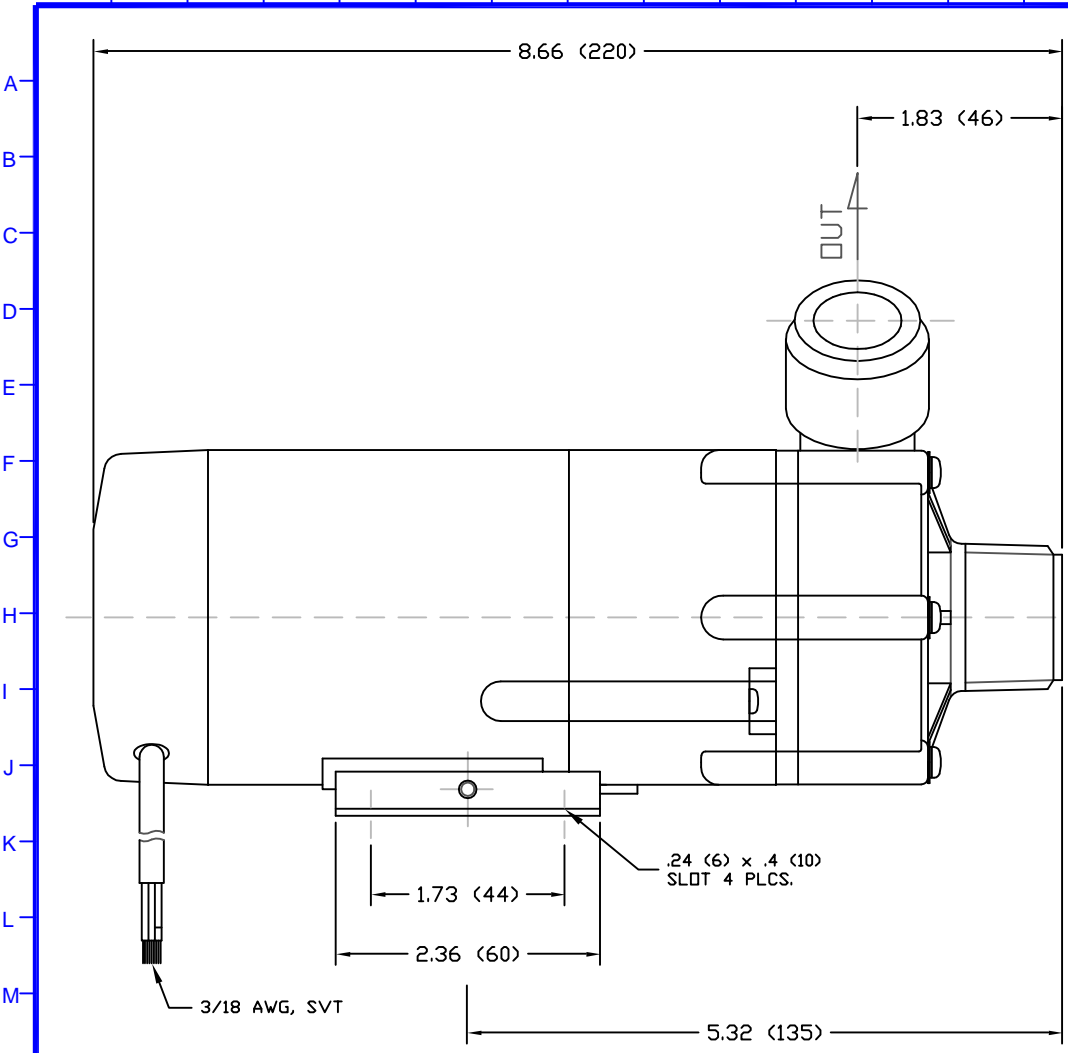


1 2 3 4 5 6 7 8 9 10 11 12 13 14 15 16 17 18 19 20 21 22 23 24 25

PART OR DRAWING NO. IF20566 REV. A



- NOTES:
 1. DRAWING MAY VARY FROM ACTUAL PRODUCT.
 2. REFER TO SPECIFICATION C910704.
 3. DRAWN FROM 2Z000404 TO SCALE.
 4. DIMENSIONS ARE IN INCHES (MM).

MATERIALS

| | |
|-------------|-----------------|
| CASING | GFRPP |
| IMPELLER | GFRPP |
| SPINDLE | ALUMINA CERAMIC |
| BEARING | PTFE |
| THRUST RING | ALUMINA CERAMIC |
| O-RING | FKM |

SPECIFICATIONS

| | |
|--------------|---------------------|
| MAX CAPACITY | 13.7 GPM (51.9 LPM) |
| MAX HEAD | 8.2 FT (2.5 M) |
| MAWP | 5.69 PSI (.04 MPA) |
| VOLTAGE | 115 VAC |
| CURRENT | .5 A |
| CORD LENGTH | 39.4 IN (1 M) |
| WEIGHT | 4.41 LBS (2 KG) |
| SUCTION | 1 IN NPT - MALE |
| DISCHARGE | 1 IN NPT - MALE |

| ECO# | DESCRIPTION | DATE | REV. LTR. |
|------|-------------|------|-----------|
|------|-------------|------|-----------|

MATERIAL SEE CHART

| | | | | | |
|-------|-----|-----|-----|----------|-----------|
| GJS | 04 | 03 | 05 | XXX | 1 |
| DRAWN | DAY | MO. | YR. | RELEASED | SHEET NO. |



5 Boynton Rd.
 Hopping Brook Park
 Holliston, MA 01746
 (508) 429-1440

TITLE MAG DRIVE PUMP MD-20RXT (115V)

PART OR DWG. NO. IF20566

REV. A