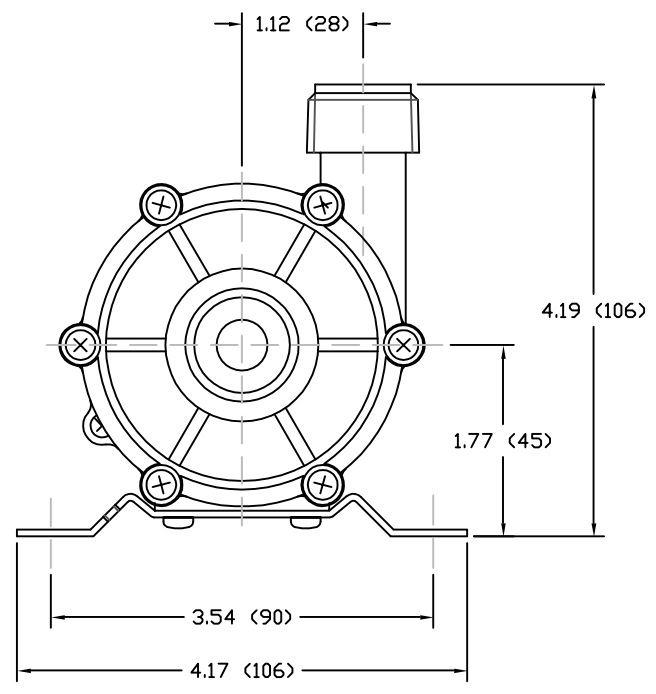
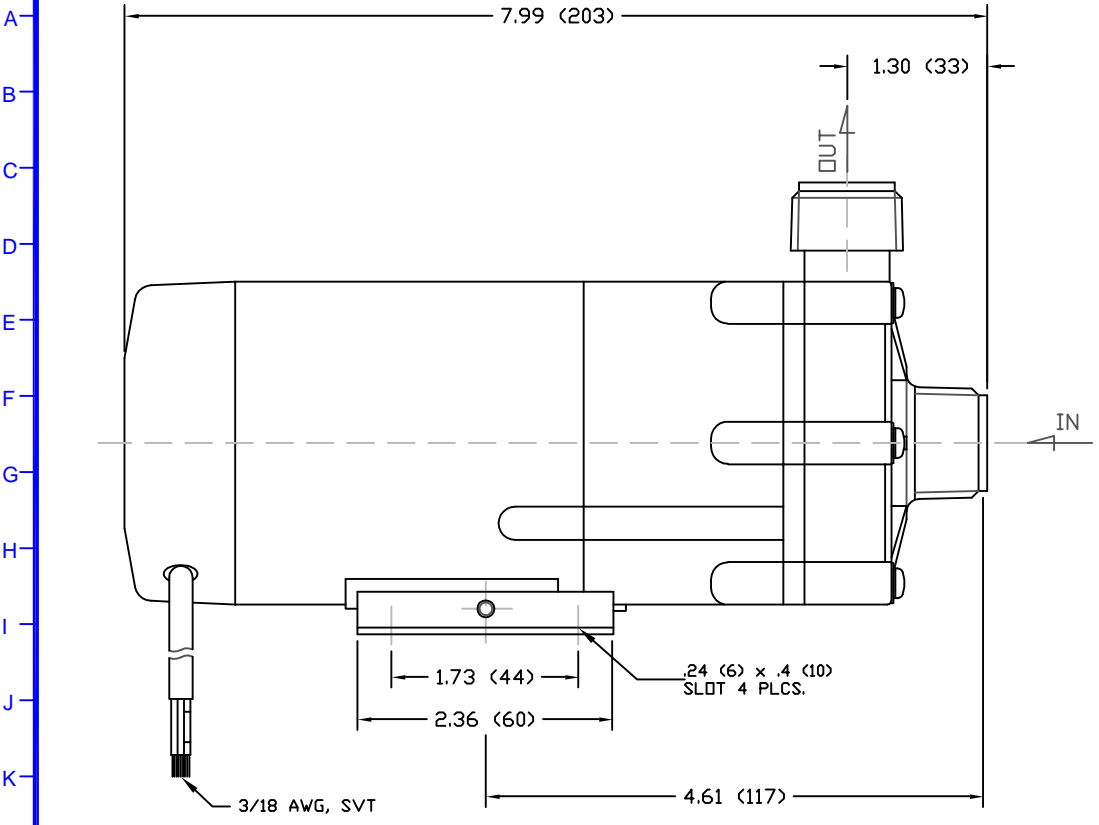


1 2 3 4 5 6 7 8 9 10 11 12 13 14 15 16 17 18 19 20 21 22 23 24 25

PART OR DRAWING NO. IF20565 REV. A




- NOTES:
 1. DRAWING MAY VARY FROM ACTUAL PRODUCT.
 2. REFER TO SPECIFICATION C910696.
 3. DRAWN FROM 2Z000403 TO SCALE.
 4. DIMENSIONS ARE IN INCHES (MM).

SPECIFICATIONS	
MAX CAPACITY	8.2 GPM (31 LPM)
MAX HEAD	14.1 FT (4.3 M)
MAWP	9.95 PSI (.07 MPA)
VOLTAGE	115 VAC
CURRENT	.48 A
CORD LENGTH	38.4 IN (1 M)
WEIGHT	4.4 LBS (2 KG)
SUCTION	3/4 IN NPT - MALE
DISCHARGE	3/4 IN NPT - MALE

MATERIALS

CASING	GFRPP
IMPELLER	GFRPP
SPINDLE	ALUMINA CERAMIC
BEARING	PTFE
THRUST RING	ALUMINA CERAMIC
O-RING	FKM

ECO#	DESCRIPTION				DATE	REV. LTR.
MATERIAL SEE CHART						
GJS	04	03	05	XXX	1	PART OR DWG. NO. IF20565
DRAWN	DAY	MO.	YR.	RELEASED	SHEET NO.	
 www.IwakiAmerica.com		5 Boynton Rd. Hopping Brook Park Holliston, MA 01746 (508) 429-1440				REV. A
		TITLE MAG DRIVE PUMP MD-20RT (115V)				