



Bellows



KBA/KBR

Long a supplier of quality metering pumps and accessories, Iwaki America is proud to offer its line of Bellows Metering Pumps.

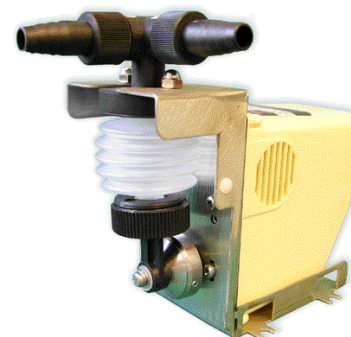
The reciprocating polypropylene bellows offers dependable positive displacement with 1% repeatability through a 10:1 adjustment ratio. Available with either EPDM or FKM elastomers, pump capacities range to 2100 ml/min. The self-priming and corrosion resistant features help provide reliable, continuous duty throughout a variety of chemical dosing applications.

Proven performers, Iwaki America bellows pumps are extensively used in the photographic, plating and electronics industries. Additional features include:

- Off-the-shelf availability
- Simplex, Duplex and Multiplex configurations
- Thermoplastic motor housing
- Stainless steel frame
- Easy output adjustment

Addressing the specific requirements of equipment manufacturers, Iwaki America has developed a full line of economical, versatile, OEM and Multiplex pumps featuring rugged gear-motor drives and flexible designs. Iwaki America Bellows Metering Pumps offer:

- Blow-molded polypropylene bellows ensuring even wall thickness for long life.
- Standard bellows available in 1", 1½" and 2" sizes
- Simple liquid end construction, assuring trouble-free pumping
- Anti-syphon spring (Hastelloy C) available
- Sure-seating elastomeric poppet valves provide positive backflow protection
- Optional duckbill valves for slurries
- Multiplex units utilizing quiet, durable nylon gear-drive.
- Easy front access to each head for output adjustment and service in multiplex units.



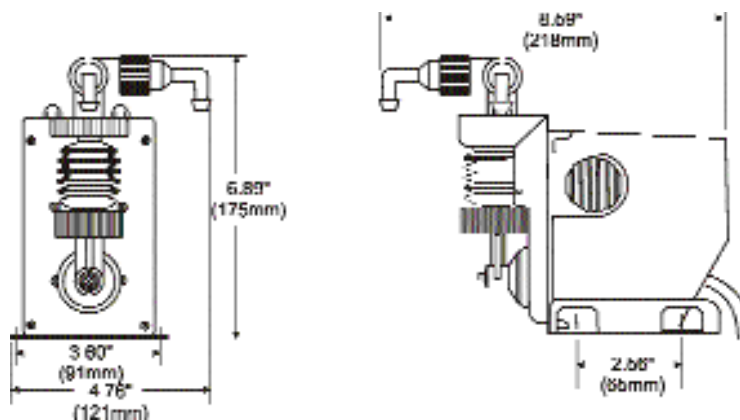
SP/DP



Standard Model (115VAC)	No. of Bellows	Maximum Capacity ml/min (gph)	Maximum Pressure PSI	Strokes/Minute SPM	Self-Prime Lift (dry) Feet (m)	Tubing I.D. Inches (mm)	Maximum Current Amps
SP20-10	1	110 (1.7)	10	33	5 (1.5)	3/8 (9)	1.1
SP60-10	1	205 (3.2)	10	67	5 (1.5)	3/8 (9)	1.1
SP20-20	1	255 (4.0)	5	33	4 (1.2)	3/8 (9)	1.1
SP80-10	1	380 (6.0)	10	135	5 (1.5)	3/8 (9)	1.1
SP60-20	1	495 (7.8)	5	67	4 (1.2)	3/8 (9)	1.1
SP60-30	1	990 (15.7)	5	67	5¼ (1.6)	1/2 (12)	1.1
SP80-30	1	2100 (33.3)	5	135	5¼ (1.6)	1/2 (12)	1.1
DP20-10	2	110 (1.7) x 2	10	33	5 (1.5)	3/8 (9)	1.1
DP60-10	2	205 (3.2) x 2	10	67	5 (1.5)	3/8 (9)	1.1
DP60-20	2	495 (7.8) x 2	5	67	4 (1.2)	3/8 (9)	1.1
DP60-30	2	990 (15.7) X 2	5	67	5¼ (1.6)	1/2 (12)	1.1
DP80-30	2	2100 (33.3) x 2	5	135	5¼ (1.6)	1/2 (12)	1.1

Multiplex Model	No. of Bellows	Maximum Capacity ml/min (gph)	Maximum Pressure PSI	Strokes/Minute SPM	Self-Prime Lift (dry) Feet (m)	Tubing I.D. Inches (mm)	Maximum Current Amps
C311-10	3	100 (1.5) x 3	5	30	5 (1.5)	3/8 (9)	1.3
C311-20	3	230(3.6) x 3	5	30	4 (1.2)	3/8 (9)	1.3
C341-20	3	380 (6.0) x 3	5	50	4 (1.2)	3/8 (9)	1.3
C341-30	3	740 (11.7) x 3	5	50	5¼ (1.6)	3/8 (9)	1.3
C441-30	4	740 (11.7) x 4	5	50	5¼ (1.6)	3/8 (9)	1.3
C541-30	5	740 (11.7) x 5	5	50	5¼ (1.6)	3/8 (9)	1.3
C641-30	6	740 (11.7) x 6	5	50	5¼ (1.6)	3/8 (9)	1.3
C741-30	7	740 (11.7) x 7	5	50	5¼ (1.6)	3/8 (9)	1.3
C841-30	8	740 (11.7) x 8	5	50	5¼ (1.6)	3/8 (9)	1.3
C241-30	12	740 (11.7) x 12	5	50	5¼ (1.6)	3/8 (9)	1.3

SP60-20 Dimensions



P/N 180208.C Jun 2004