

C Series Valves

- Accurate, repeatable
- Minimal pressure surge
- Smooth, chatter-free bypass
- Adjustable
- Easy to service
- No external springs or moving parts
- Various seal material
- Stainless steel or brass bodies
- Used with any positive displacement pump



Hydra-Cell[®]
SIMPLY BUILT TO LAST

C Series Valves

C Series Hydra-Cell Valves bypass system fluid to prevent excess system pressure. When a system discharge is completely closed – such as a closed spray gun, closed valved or plugged nozzle – the Hydra-Cell Valve bypasses the total system fluid flow. They also balance system pressure for multiple-gun operations.

The Hydra-Cell Valve design is simple: a tapered plunger with a valve seat. When excess pressure overcomes the adjustable spring pressure on the plunger, the plunger lifts off the seat, allowing fluid to bypass and reduce system pressure. When a Hydra-Cell Valve is mounted in the discharge line, its modified flow-through design reduces wear on the plunger and seat. Baffles on either side of the plunger and seat extend life by directing the flow around these internal components.

For service, simply remove the top of the body and replace the worn internal components. Hydra-Cell Valves can be serviced in place without removing any fittings or plumbing.



C22/C23/C24 Series

C22, C23, and C24 Series Hydra-Cell Regulating Valves are available in a choice of stainless steel, nickel alloy or solid brass materials and accommodate 3/4" to 1-1/4" NPT plumbing.

- Heavy-duty construction
- Flow-through design
- Immediate response



C46 Series

C46 Series Valves are available in a choice of stainless steel or solid brass materials and accommodate 3/8" NPT plumbing.

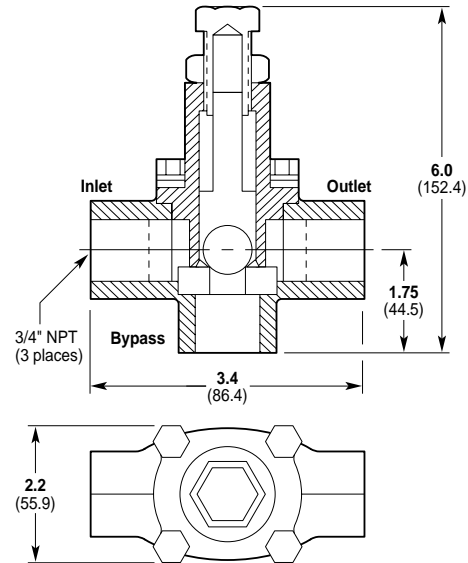
- Heavy-duty construction
- Flow-through or off-line design
- Quick response

C22/23/24 Series Valves



C-22 with 3/4" NPT Ports

Configuration
AA AB AC



Capacity	Maximum		Minimum	
	gpm	l/min	gpm	l/min
C-22	10	37.8	3	11.3
C-23	20	75.7	3	11.3
C-24	40	151.4	5	18.9

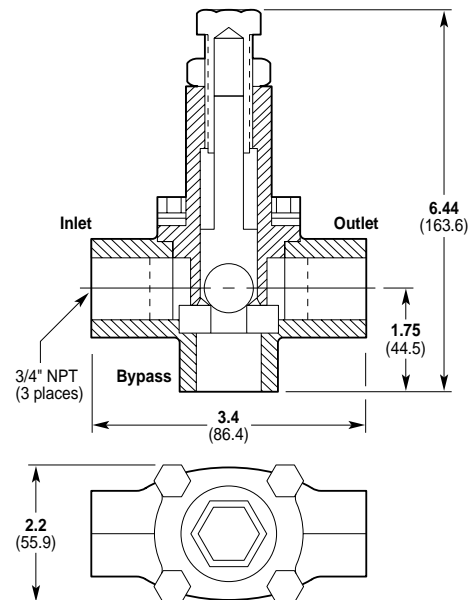
Pressure Range psi	Model Configuration			
	AA	AB	AC	AE
C-22	50-500	500-1000	1000-1500	1500-2500
C-23	50-500	500-1000	1000-1500	—
C-24	50-500	500-1000	1000-1500	—
bar				
C-22	3.5-34.5	34.5-69	69-103	103-172
C-23	3.5-34.5	34.5-69	69-103	—
C-24	3.5-34.5	34.5-69	69-103	—

Max Temperature 200°F

Inlet and Outlet Ports	
C-22	3/4" NPT
C-23	1" NPT
C-24	1-1/4" NPT

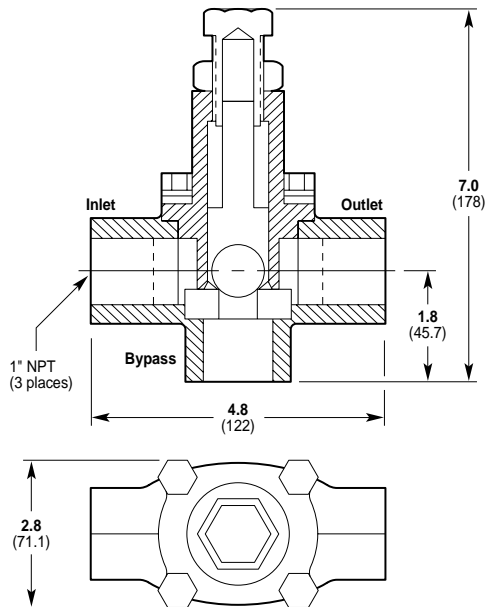
Weight	
C-22	3 lbs (1.3 kg)
C-23	6 lbs (2.7 kg)
C-24	10 lbs (4.5 kg)

Configuration
AE

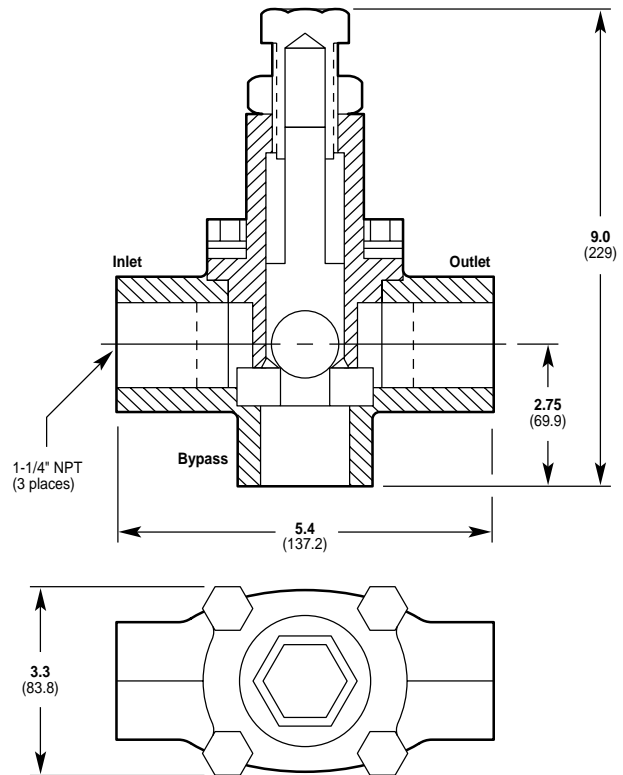


C22/23/24 Series Valves

C-23 with 1" NPT Ports



C-24 with 1-1/4" NPT Ports



Installation Guidelines

C Series Valves are installed in the discharge line of the pump between the pump and any shut-off device, valve or spray gun. Bypassed fluid should return to the tank or inlet plumbing. Do not install a shut-off device of any kind in the bypass line.

When operating as a pressure-regulating relief valve, 10% of the valve's rated flow should be bypassed at all times. Check the system periodically to ensure this requirement is met. Failure to do so may result in pressure spikes and premature system wear.

When used as a pressure regulator, system pressure will increase approximately 10% when the system is fully bypassed. Consult operating manual for specific ratings.

C22/23/24 Series Valves

Materials of Construction

C22, C23 and C24 Series Valves are manufactured in a choice of heavy-duty materials to meet specific plumbing needs.



Valve Bodies/Tops

Brass
Nickel Alloy (Hastelloy Remelt,
CMW12D)
316 Stainless Steel



Valve Seats

316 Stainless Steel
17-4 Stainless Steel
Hastelloy® C
Tungsten carbide



O-Rings/Seals

EPDM/Teflon
Buna-N
Viton® /Teflon



Plungers

316 Stainless Steel
17-4 Stainless Steel
Hastelloy® C
Tungsten carbide

C22/23/24 Series Valves

Ordering Information

A complete C22/23/24 Series Model Number contains 11 digits including 8 customer-specified design options: for example C22DABNSSEF.



3 Configuration

- C22** 3-10 gpm (11.3 - 37.8 l/min)
- C23** 3-20 gpm (11.3 - 75.7 l/min)
- C24** 5-40 gpm (18.9 - 151.4 l/min)

5 Pressure Range

- A** 50-500 psi (3.5-34.5 bar)
- B** 500-1000 psi (34.5-69 bar)
- C** 1000-1500 (69-103 bar)
- E** 1500-2500 (103-172 bar) – Model C22 only

6 Bodies/Tops Material

- B** Brass
- H** Nickel Alloy (Hastelloy Remelt, CMW12D)
- S** 316 Stainless Steel

7 O-Rings/Seals

- E** EPDM/Teflon
- N** Buna-N
- V** Viton®/Teflon

8 Valve Seats

- R** 17-4 Stainless Steel
- S** 316 Stainless Steel
- H** Hastelloy® C
- T** Tungsten carbide

9 Plungers

- R** 17-4 Stainless Steel
- S** 316 Stainless Steel
- H** Hastelloy® C
- T** Tungsten carbide

10 Seat Size

- E** C-22
- J** C-23
- N** C-24

11 Port Size

- F** C-22 (3/4")
- G** C-23 (1")
- H** C-24 (1-1/4")

C46 Series Valves



Capacity	Maximum		Minimum	
	gpm	l/min	gpm	l/min
C-46 (Off-Line)	10	37.8	0.2	1
C-46 (In-Line)	7	26.5	0.2	1

Pressure Range	
Low Spring	50-500 psi (3.5-34.5 bar)
Medium Spring	100-900 psi (6.9-62 bar)
Standard Spring	200-1500 psi (13.8-103 bar)

Max Temperature	180°F
Inlet and Outlet Ports	3/8" NPT
Weight	12 oz (0.33 kg)

Materials of Construction

C46 Series Valves are manufactured in a choice of heavy-duty materials to meet specific pumping needs.

Bodies

Brass
316 Stainless Steel

O-Rings

EPDM
Buna-N
Viton®

Piston

316 Stainless Steel

Piston Seal

EPDM
Buna-N
Viton®

Valve Seat

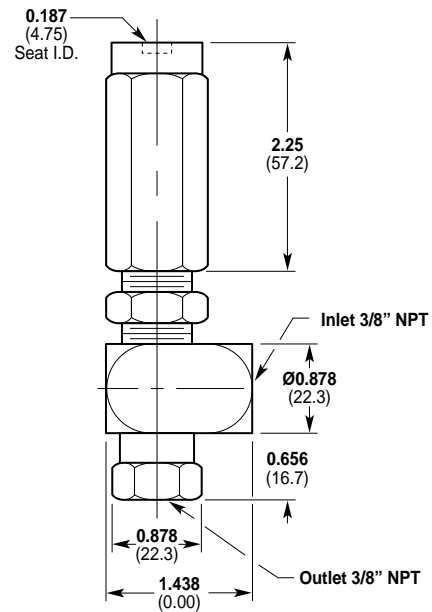
316 Stainless Steel



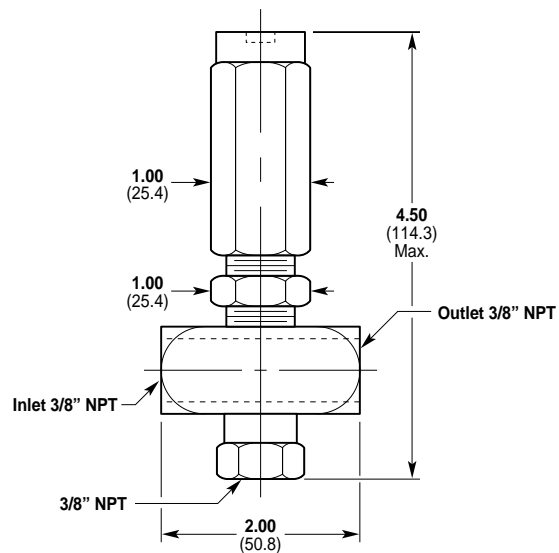
Spring

Low, Medium or Standard
Chrome Vanadium-plated

C-46 for Off-Line Mount



C-46 for In-Line Mount



C46 Series Valves

Ordering Information

A complete C46 Series Model Number contains 11 digits including 4 customer-specified design options: for example C46AABESSEE.

1	C	2	4	3	6	4	5	6	7	8	S	9	S	10	E	11	E
---	---	---	---	---	---	---	---	---	---	---	---	---	---	----	---	----	---

4 Mounting Design

- A In-Line
- B Off-Line

5 Pressure Range (Spring Selection)

- A Low Spring 50-500 psi (3.5-34.5 bar)
- B Medium Spring 100-900 psi (6.9-62 bar)
- C Standard Spring 200-1500 psi (13.8-103 bar)

6 Body Material

- B Brass
- S 316 Stainless Steel

7 O-Rings

- E EPDM
- N Buna-N
- V Viton®

Hydra-Cell®

SIMPLY BUILT TO LAST

C62 Series

When we say "Simply Built to Last", we mean it! Wanner Engineering Hydra-Cell valves have proven their performance and reliability in some of the toughest industrial equipment and processes.

Applications

- Hot fluids
- Reclaim water
- Corrosive fluids
- Slurries
- Abrasives
- Liquid gases
- Wettable powders
- Fertilizers
- Cutting fluids
- Viscous fluids
- Ultrapure fluids
- Chemicals
- Adhesives
- Soap solutions
- Salt water
- and many more...

Features

- Various seat materials available: stainless or brass bodies, PTFE diaphragm, etc.
- Made in America
- Heavy-duty industrial construction
- Accurate, repeatable
- Flow-through design
- Minimal pressure surge
- Smooth, chatter-free bypass
- No external springs or moving parts
- Use with any positive displacement pump
- Immediate response
- Adjustable, easy to service

Capacity	Maximum: 14 gpm (53 l/min) Minimum: 1 gpm (3.8 l/min)
Pressure Range	Configuration A: 50-500 psi (3.5-34.5 bar) Configuration B: 500-2500 psi (34.5-172 bar)
Max Temperature	200°F
Inlet and Outlet Ports	3/4" NPT (BSPT)
Weight	4 lbs (1.8 kg)

Superior Design.

The Hydra-Cell C62 Valve design is simple: a tapered plunger with an attached diaphragm. When excess pressure overcomes the adjustable spring pressure on the plunger, the plunger lifts off the valve seat, allowing fluid to bypass and reduce system pressure. When a Hydra-Cell Valve is mounted in the discharge line, its modified flow-through design reduces wear on the plunger and seat.

For service, simply remove the top of the valve and replace the worn internal components. Hydra-Cell Valves can be serviced in place without removing any fittings or plumbing.

Materials of Construction

Attention to detail. Wanner Engineering doesn't stop with a great design. We will custom fit your valve with the materials best suited for your specific application.

Bodies/Tops Material

- Brass
- Nickel Alloy (Hastelloy Remelt, CMW12D)
- 316 Stainless Steel

O-Rings/Diaphragms

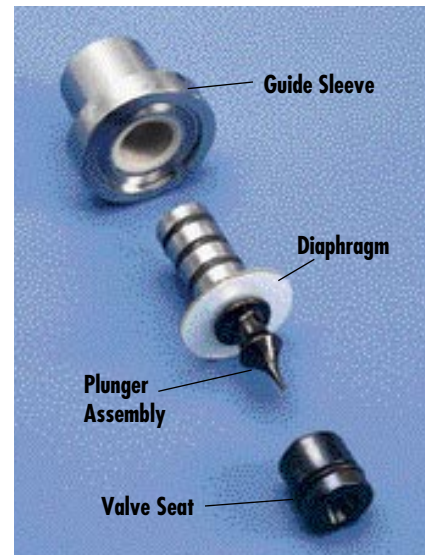
- PTFE/PTFE
- Viton® /PTFE

Valve Seats

- Hastelloy® C
- 17-4 Stainless Steel
- 316 Stainless Steel

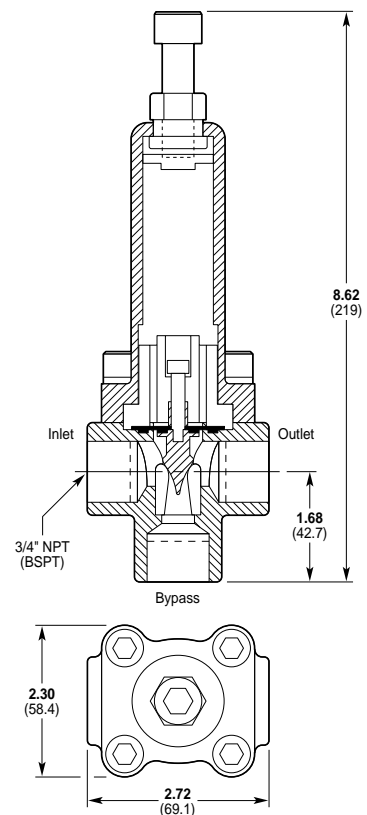
Plungers

- Hastelloy® C
- 17-4 Stainless Steel
- 316 Stainless Steel



Dimensions

in (mm)



Wanner Engineering, Inc.

1204 Chestnut Avenue, Minneapolis, MN 55403 USA
 (612) 332-5681 FAX (612) 332-6937
 Toll Free FAX (USA only) (800) 332-6812
 Email: sales@wannereng.com
 Website: www.hydra-cell.com
 Document Fax Back System: (510) 745-0440

Wanner International Ltd.

Grange Court, Grange Road
 Tongham, Surrey GU10 1DW, England
 Tel +44 (0) 1252 781234
 FAX Tel +44 (0) 1252 781235
 Email: sales@wannerint.com