

PARTS MANUAL

Hydra-Cell[®]

INDUSTRIAL PUMPS

IMPORTANT

Record your pump model number and serial number here for easy reference:

Model No. _____

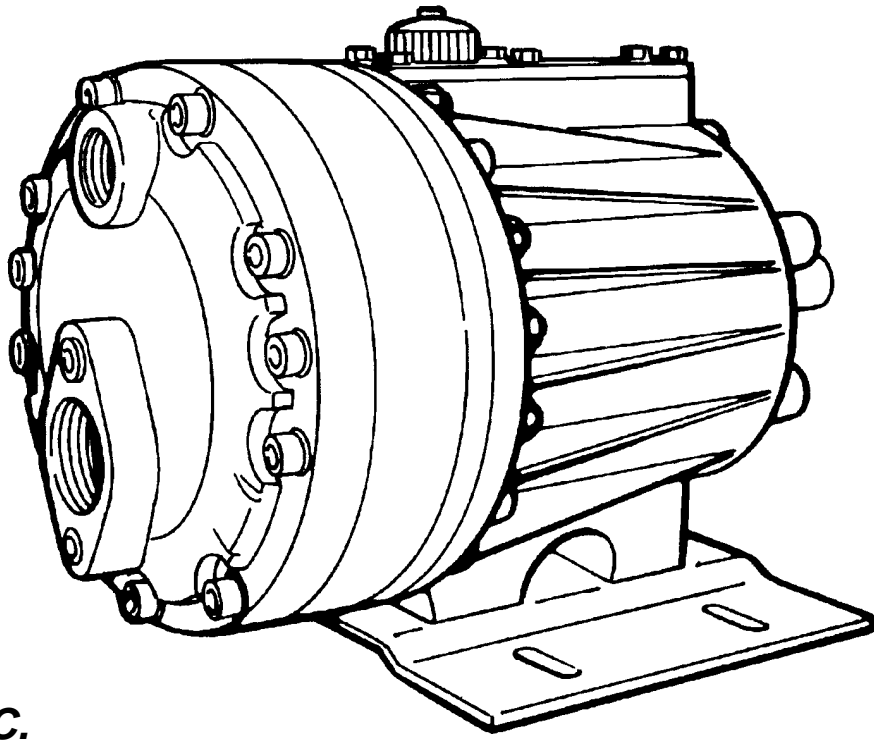
Serial No. _____

Date of Purchase _____

When ordering parts or making inquiries about this pump, please mention the model and serial numbers.

MODEL: H-25

WITH METALLIC PUMP HEAD



WANNER ENGINEERING, INC.

1204 Chestnut Avenue, Minneapolis, MN 55403
TEL: (612) 332-5681 FAX: (612) 332-6937
TOLL-FREE FAX [US only]: (800) 332-6812

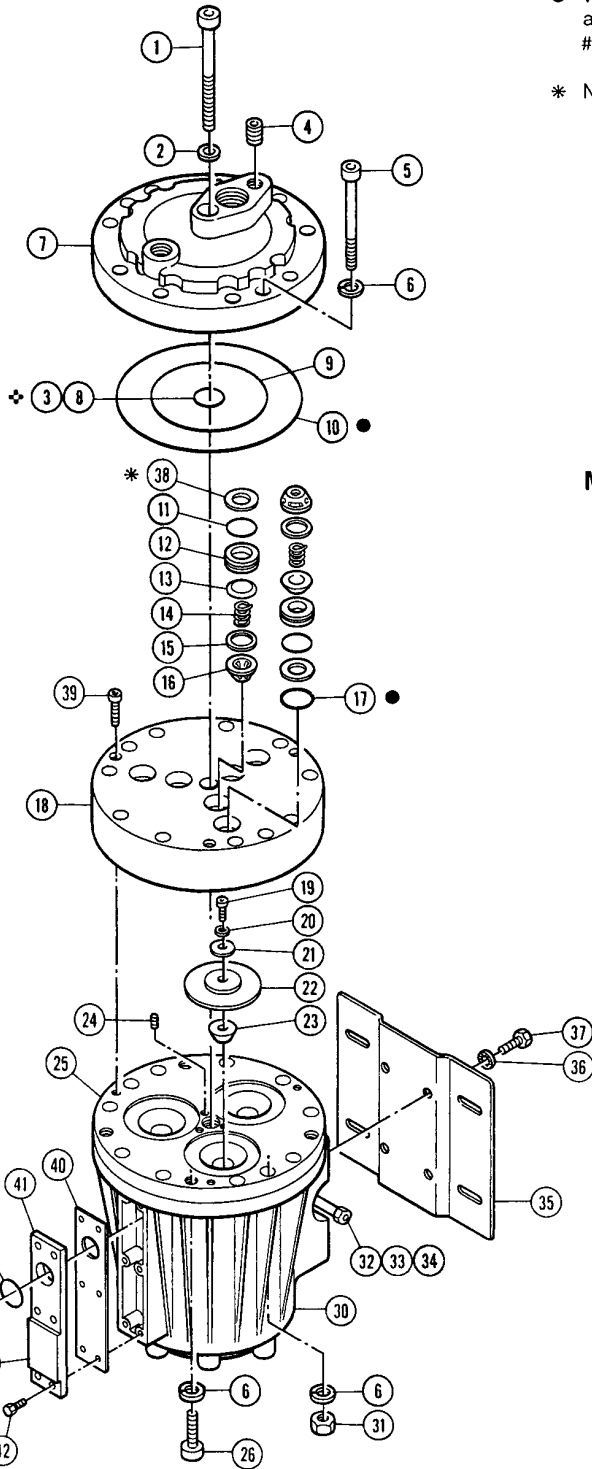
www.hydra-cell.com
email: sales@wannereng.com
Document Fax Back System (510) 745-0440

H-25 Pumps with serial number 103200 and above have metric fasteners and a finned, diecast pump housing as illustrated above (see pages 2-3 for fluid end parts list). Pumps with serial number 103199 and below have a smooth pump housing (see pages 4-5 for fluid end parts list).

Metallic Pump Head (for Serial Numbers 103200 and above)

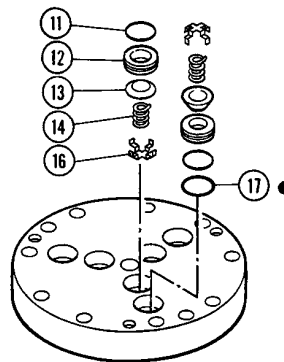
H-25 Fluid End

MODEL H-25 WITH STANDARD VALVE ASSEMBLIES



- ❖ With brass external-centerbolt models, use #8; with all other models, use #3.
- With cast iron pump heads, use #17 and not #10; with all other heads, use #10 and not #17.
- * Not required on all pumps.

VALVE ASSEMBLIES WITH METAL SPRING RETAINERS



Ref #	Part Number	Description	Quantity/ Pump
1	G25-081-2045	Cap Screw, socket head, M12 x 1.25 x 114 mm	1
2	G10-084-2010	Washer, 13 cm, flat	1
3	D25-083-2110	O-ring, centerbolt, Buna ¹	1
	D25-083-2111	O-ring, centerbolt, Viton ¹	1
	D25-083-2112	O-ring, centerbolt, Neoprene ¹	1
	D25-083-2113	O-ring, centerbolt, EPDM ¹	1
	D25-083-2118	O-ring, centerbolt, Teflon ¹	1
4	D25-038-2017	Plug, Hastelloy C	1
	D25-038-2210	Plug, Brass	1
	D25-038-2211	Plug, 316 SST	1
5	G25-024-2010	Cap Screw, socket-head, M10 x 1.5 x 120 mm	11
6	G25-048-2010	Washer, split-lock, M10	25
7	D25-004-1010	Manifold, brass	1
	D25-004-1022	Manifold, 316 SST	1
	D25-004-1026	Manifold, cast iron	1
	D25-004-1029	Manifold, nickel alloy C series	1
8	D10-083-2110	O-ring, center manifold, Buna ¹	1
	D10-083-2111	O-ring, center manifold, Viton ¹	1
	D10-083-2112	O-ring, center manifold, Neoprene ¹	1
	D10-083-2113	O-ring, center manifold, EPDM ¹	1
	D10-083-2118	O-ring, center manifold, Teflon ¹	1

Metallic Pump Head (for Serial Numbers 103200 and above)

H-25 Fluid End

Ref #	Part Number	Description	Quantity/ Pump	Ref #	Part Number	Description	Quantity/ Pump
9	D25-073-2110	O-ring, inner manifold, Buna	1	22	D25-018-2310	Diaphragm, Buna-N	3
	D25-073-2111	O-ring, inner manifold, Viton	1		D25-018-2311	Diaphragm, Viton	3
	D25-073-2112	O-ring, inner manifold, Neoprene	1		D25-018-2312	Diaphragm, Neoprene	3
	D25-073-2113	O-ring, inner manifold EPDM	1		D25-018-2313	Diaphragm, EPDM	3
	D25-073-2118	O-ring, inner manifold, Teflon	1		D25-018-2315	Diaphragm, Viton-XT	3
10	D25-097-2110	O-ring, outer manifold, Buna ²	1		D25-018-2318	Diaphragm, Teflon	3
	D25-097-2111	O-ring, outer manifold, Viton ²	1		D25-018-2320	Diaphragm, Buna-N-XS	3
	D25-097-2112	O-ring, outer manifold Neoprene ²	1	23	D25-016-1010	Plunger	3
	D25-097-2113	O-ring, outer manifold EPDM ²	1	24	G25-082-2010	Set Screw, M6 x 1 x 16 mm	3
	D25-097-2118	O-ring, outer manifold, Teflon ²	1	25	G25-002-1010	Cylinder Housing	1
11	D25-035-2110	O-ring, valve seat, Buna	6		G25-002-1210	Cylinder Housing Assembly, Buna ³	–
	D25-035-2111	O-ring, valve seat, Viton	6	26	G10-087-2010	Cap Screw, socket-hd, M10 x 1.5 x 30 mm	4
	D25-035-2112	O-ring, valve seat, Neoprene	6	27	D10-080-2110	O-ring, oil fill, Buna	1
	D25-035-2113	O-ring, valve seat, EPDM	6	28	D03-039-1210	Cap, oil fill (includes breather and O-ring)	1
	D25-035-2118	O-ring valve seat, Teflon	6	29	D10-040-2410	Name Plate	1
12	D25-020-1010	Valve Seat, 17-4 HT SST	6	30	G25-001-1218	Pump Housing Assembly ⁴	–
	D25-020-1012	Valve Seat, Nitronic 50	6		G25-001-1228	Pump Housing ⁴	1
	D25-020-1017	Valve Seat, Hastelloy C	6	31	G10-028-2010	Nut, hex, M10	10
	D25-020-3300	Valve Seat, ceramic	6	32	D25-076-2210	Elbow, 3/8"	1
13	D25-021-1010	Valve, 17-7 HT SST, stamped	6	33	D25-077-2210	Pipe, 3/8"	1
	D25-021-1011	Valve, Nitronic 50	6	34	D25-078-2210	Cap, 3/8"	1
	D25-021-1015	Valve, 17-4 HT SST, machined	6	35	D25-025-1010	Base	1
	D25-021-1017	Valve, Hastelloy C	6	36	G25-054-2010	Washer, shakeproof, M10	4
	D25-021-3300	Valve, ceramic	6	37	G10-029-2010	Cap Screw, hex-hd, M10 x 1.5 x 25 mm	4
14	D25-022-3110	Valve Spring, 17-7 HT SST	6	38	D25-125-1011	Washer, dampening, 316 SST ⁵	6
	D25-022-3114	Valve Spring, Elgiloy	6		D25-125-1017	Washer, dampening, Hastelloy C ⁵	6
	D25-022-3115	Valve Spring, Hastelloy C	6		D25-125-2310	Washer, dampening, Celcon (Delrin) ⁵	6
15	D25-092-2110	Tetra Seal, Buna	6		D25-125-2316	Washer, dampening, Nylon ⁵	6
	D25-092-2111	Tetra Seal, Viton	6		D25-125-2317	Washer, dampening, polypropylene ⁵	6
	D25-092-2112	Tetra Seal, Neoprene	6		D25-125-2318	Washer, dampening, Kynar ⁵	6
	D25-092-2113	Tetra Seal, EPDM	6	39	G25-088-2010	Cap Screw, socket-hd, M6 x 1x 45 mm	3
	D25-092-2118	O-ring, Teflon (not a "Tetra Seal")	6	40	G25-106-2318	Gasket, cover	1
16	D25-023-1010	Retainer, valve spring, 17-7 HT SST	6	41	H25-105-1018	Cover, housing	1
	D25-023-1017	Retainer, valve spring, Hastelloy C	6	42	G25-090-2010	Cap Screw, hex-head	6
	D25-023-2310	Retainer, valve spring, Celcon	6				
	D25-023-2316	Retainer, valve spring, Nylon	6				
	D25-023-2317	Retainer, valve spring, polypropylene	6				
	D25-023-2318	Retainer, valve spring, Kynar	6				
17	D25-074-2110	O-ring, outlet valve, Buna ²	3				
	D25-074-2111	O-ring, outlet valve, Viton ²	3				
	D25-074-2112	O-ring, outlet valve, Neoprene ²	3				
	D25-074-2113	O-ring, outlet valve, EPDM ²	3				
	D25-074-2118	O-ring, outlet valve, Teflon ²	3				
18	D25-003-1010	Valve Plate, brass	1				
	D25-003-1012	Valve Plate, 316 SST	1				
	D25-003-1016	Valve Plate, cast iron	1				
	D25-003-1029	Valve Plate, nickel alloy C series	1				
19	D25-030-2010	Screw, flat-head mach., 5/8", 316 SST	3				
	D25-030-2011	Screw, flat-head mach., 5/8", Hast. C	3				
20	D25-047-2110	O-ring, follower, Buna	3				
	D25-047-2111	O-ring, follower, Viton	3				
	D25-047-2112	O-ring, follower, Neoprene	3				
	D25-047-2113	O-ring, follower, EPDM	3				
	D25-047-2118	O-ring, follower, Teflon	3				
21	D25-017-1010	Follower, 316 SST	3				
	D25-017-1011	Follower, Hastelloy C	3				

¹ With brass external-centerbolt models, use Ref #8; with all other models, use Ref #3.

² With cast iron pump heads, use Ref #17 and not Ref #10; with all other models, use Ref #10 and not Ref # 17.

³ Cylinder Housing Assembly includes casting (25), bearing cup, adjusting plate (61), O-ring (60), and set screws (24).

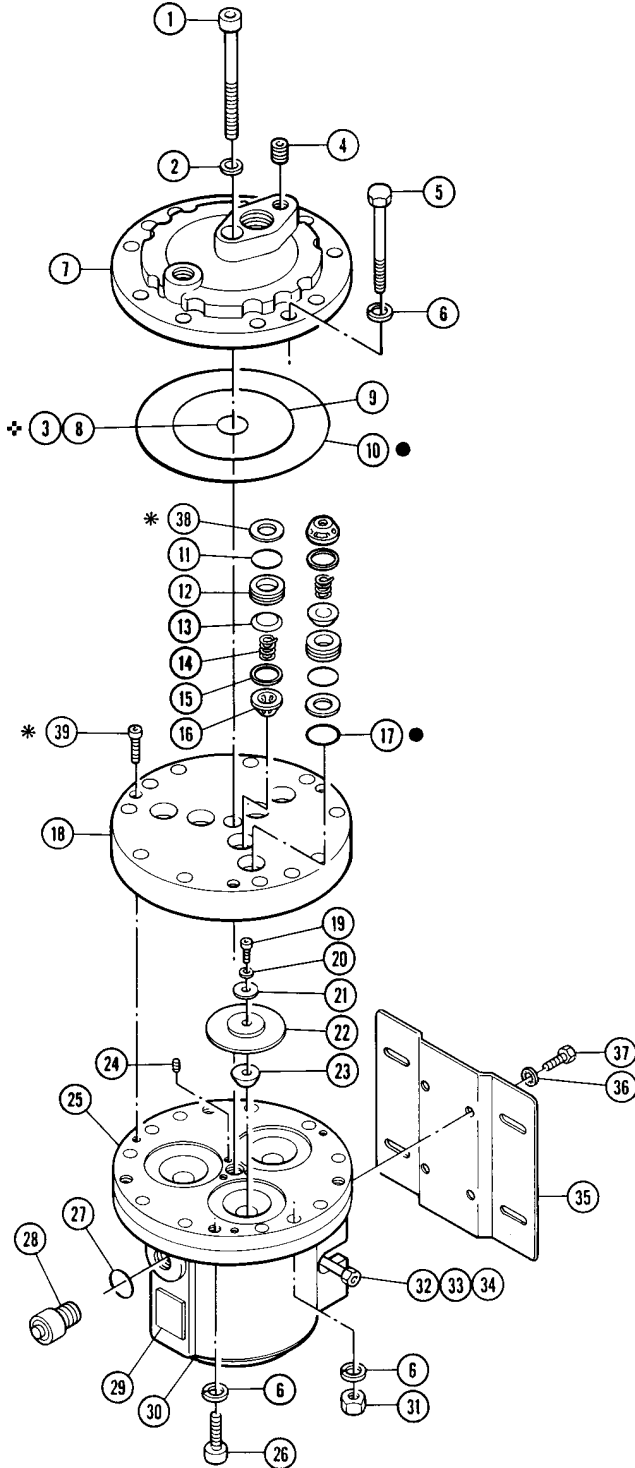
⁴ Pump Housing Assembly includes housing (30), drain plug (32, 33, 34), and bearing cup. Pump Housing includes cover (41), gasket (40), and screws (42).

⁵ Not required on all pumps.

Metallic Pump Head (for Serial Numbers 103199 and below)

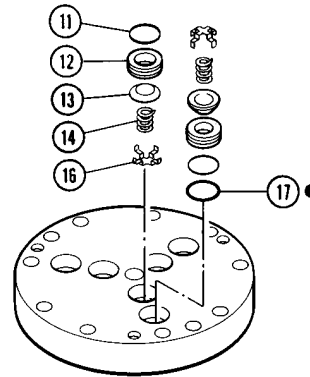
H-25 Fluid End

MODEL H-25
WITH STANDARD VALVE ASSEMBLIES
 (shown with manifold for
 external-centerbolt models)



- ❖ With brass external-centerbolt models, use #8;
with all other models, use #3.
- With cast iron pump heads, use #17 and not #10;
with all other heads, use #10 and not #17.
- * Not required on all pumps.

VALVE ASSEMBLIES WITH METAL SPRING RETAINERS



Ref #	Part Number	Description	Quantity/ Pump
1	D25-081-2012	Cap Screw, socket head, 4-1/2" (external centerbolt)	1
2	D10-084-2010	Washer, 1/2", flat	1
3	D25-083-2110	O-ring, centerbolt, Buna ¹	1
	D25-083-2111	O-ring, centerbolt, Viton ¹	1
	D25-083-2112	O-ring, centerbolt, Neoprene ¹	1
	D23-083-2113	O-ring, centerbolt, EPDM ¹	1
	D25-083-2118	O-ring, centerbolt, Teflon ¹	1
4	D25-038-2017	Plug, Hastelloy C	1
	D25-038-2210	Plug, brass	1
	D25-038-2211	Plug, 316 SST	1
5	D25-024-2011	Bolt, hex-head, 4-3/4"	11
6	D10-048-2010	Washer, split-lock, 3/8"	25
7	D25-004-1010	Manifold, brass	1
	D25-004-1022	Manifold, 316 SST	1
	D25-004-1026	Manifold, cast iron	1
	D25-004-1029	Manifold, nickel alloy C series	1

Metallic Pump Head (for Serial Numbers 103199 and below)

H-25 Fluid End

Ref #	Part Number	Description	Quantity/ Pump	Ref #	Part Number	Description	Quantity/ Pump
8	D10-083-2110	O-ring, center manifold, Buna ¹	1	20	D25-074-2110	O-ring, follower, Buna	3
	D10-083-2111	O-ring, center manifold, Viton ¹	1		D25-074-2111	O-ring, follower, Viton	3
	D10-083-2112	O-ring, center manifold, Neoprene ¹ ..	1		D25-074-2112	O-ring, follower, Neoprene	3
	D10-083-2113	O-ring, center manifold, EPDM ¹	1		D25-074-2113	O-ring, follower, EPDM	3
	D10-083-2118	O-ring, center manifold, Teflon ¹	1		D25-074-2118	O-ring, follower, Teflon	3
9	D25-073-2110	O-ring, inner manifold, Buna	1	21	D25-017-1010	Follower, 316 SST	3
	D25-073-2111	O-ring, inner manifold, Viton	1		D25-017-1011	Follower, Hastelloy C	3
	D25-073-2112	O-ring, inner manifold, Neoprene	1	22	D25-018-2310	Diaphragm, Buna-N	3
	D25-073-2113	O-ring, inner manifold, EPDM	1		D25-018-2311	Diaphragm, Viton	3
	D25-073-2118	O-ring, inner manifold, Teflon	1		D25-018-2312	Diaphragm, Neoprene	3
10	D25-097-2110	O-ring, outer manifold, Buna ²	1		D25-018-2313	Diaphragm, EPDM	3
	D25-097-2111	O-ring, outer manifold, Viton ²	1		D25-018-2315	Diaphragm, Viton-XT	3
	D25-097-2112	O-ring, outer manifold, Neoprene ² ..	1		D25-018-2318	Diaphragm, Teflon	3
	D25-097-2113	O-ring, outer manifold, EPDM ²	1		D25-018-2320	Diaphragm, Buna-N-XS	3
	D25-097-2118	O-ring, outer manifold, Teflon ²	1	23	D25-016-1010	Plunger	3
11	D25-035-2110	O-ring, valve seat, Buna	6	24	D25-082-2010	Set Screw, 1/4" x 5/8"	3
	D25-035-2111	O-ring, valve seat, Viton	6	25	D25-002-1010	Cylinder Housing	1
	D25-035-2112	O-ring, valve seat, Neoprene	6		D25-002-1210	Cylinder Housing Assembly, Buna ³ ..	—
	D25-035-2113	O-ring, valve seat, EPDM	6	26	D25-029-2010	Cap Screw, socket-head, 1-1/8"	4
	D25-035-2118	O-ring, valve seat, Teflon	6	27	D10-080-2110	O-ring, oil fill, Buna	1
12	D25-020-1010	Valve Seat, 17-4	6		D10-080-2111	O-ring, oil fill, Viton	1
	D25-020-1012	Valve Seat, Nitronic 50	6	28	D03-039-1210	Cap, oil fill (includes breather and O-ring)	1
	D25-020-1017	Valve Seat, Hastelloy C	6	29	D10-040-2410	Name Plate	1
	D25-020-3300	Valve Seat, ceramic	6	30	H25-001-1219	Pump Housing Assembly ⁴	—
13	D25-021-1010	Valve, 17-7 HT SST, stamped	6		H25-001-1229	Pump Housing	1
	D25-021-1011	Valve, Nitronic 50	6	31	D10-028-2010	Nut, hex, 3/8"	10
	D25-021-1015	Valve, 17-4 HT SST, machined	6	32	D25-076-2210	Elbow, 3/8"	1
	D25-021-1017	Valve, Hastelloy C	6	33	D25-077-2210	Pipe, 3/8"	1
	D25-021-3300	Valve, ceramic	6	34	D25-078-2210	Cap, 3/8"	1
14	D25-022-3110	Valve Spring, 17-7 HT SST	6	35	D25-025-1010	Base	1
	D25-022-3114	Valve Spring, Elgiloy	6	36	D10-054-2010	Washer, shakeproof, 3/8"	4
	D25-022-3115	Valve Spring, Hastelloy C	6	37	D10-029-2010	Cap Screw, hex-head, 7/8"	4
15	D25-092-2110	Tetra Seal, Buna	6	38	D25-125-1011	Washer, dampening, 316 SST ⁵	6
	D25-092-2111	Tetra Seal, Viton	6		D25-125-1017	Washer, dampening, Hastelloy ⁵	6
	D25-092-2112	Tetra Seal, Neoprene	6		D25-125-2310	Washer, dampening, Celcon (Delrin) ⁵	6
	D25-092-2113	Tetra Seal, EPDM	6		D25-125-2316	Washer, dampening, Nylon ⁵	6
	D25-092-2118	O-ring, Teflon (not a "Tetra Seal")	6		D25-125-2317	Washer, dampening, polypropylene ⁵	6
16	D25-023-1010	Retainer, valve spring, 17-7 HT SST .	6		D25-125-2317	Washer, dampening, Kynar ⁵	6
	D25-023-1017	Retainer, valve spring, Hastelloy C ...	6	39	D25-088-2010	Cap Screw, socket-head	3
	D25-023-2310	Retainer, valve spring, Celcon	6				
	D25-023-2316	Retainer, valve spring, Nylon	6				
	D25-023-2317	Retainer, valve spring, polypropylene	6				
	D25-023-2318	Retainer, valve spring, Kynar	6				
17	D25-074-2110	O-ring, outlet valve, Buna ²	3				
	D25-074-2111	O-ring, outlet valve, Viton ²	3				
	D25-074-2112	O-ring, outlet valve, Neoprene ²	3				
	D25-074-2113	O-ring, outlet valve, EPDM ²	3				
	D25-074-2118	O-ring, outlet valve, Teflon ²	3				
18	D25-003-1010	Valve Plate, brass	1				
	D25-003-1012	Valve Plate, 316 SST	1				
	D25-003-1016	Valve Plate, cast iron	1				
	D25-003-1029	Valve Plate, nickel alloy C series	1				
19	D25-030-2010	Screw, flat-head mach., 5/8", 316 SST	3				
	D25-030-2011	Screw, flat-head mach., 5/8", Hast. C	3				

¹ With brass external-centerbolt models, use Ref #8; with all other models, use Ref #3.

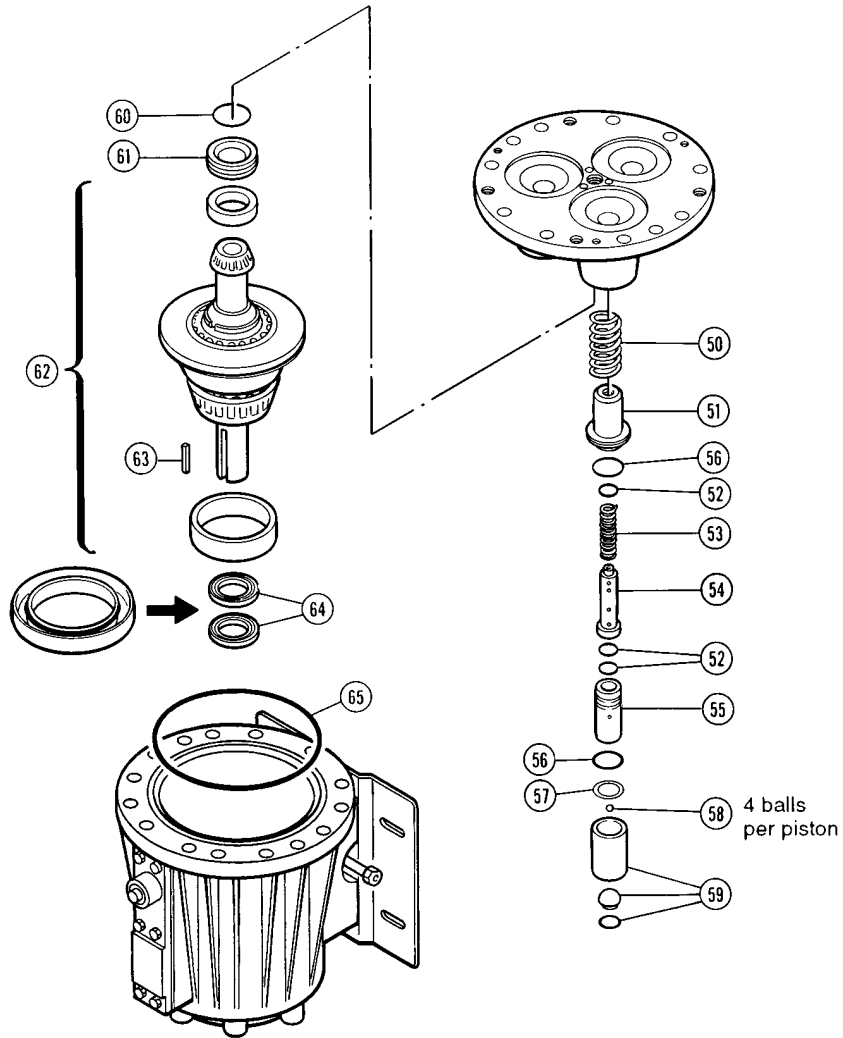
² With cast iron pump heads, use Ref #17 and not Ref #10; with all other models, use Ref #10 and not Ref # 17.

³ Cylinder Housing Assembly includes casting (25), bearing cup, adjusting plate (61), O-ring (60), and set screws (24).

⁴ Pump Housing Assembly includes housing (30), drain plug (32, 33, 34), and bearing cup.

⁵ Not required on all pumps.

H-25 Hydraulic End



H-25 Hydraulic End

Ref #	Part Number	Description	Quantity/ Pump
50	D25-019-3111	Spring, piston return	3
51	D25-042-1010	Retainer, piston return spring	3
52	D25-046-2110	O-ring, valve cylinder, Buna	9
53	D25-045-3110	Spring, sleeve valve	3
54	D25-044-1010	Valve Plunger	3
55	D25-043-1010	Cylinder, valve	3
56	D25-034-2110	O-ring, Buna	6
57	D25-041-1010	Washer, ball retainer	3
58	D25-015-3010	Ball, 1/4" ¹	12
59	D25-014-1209	Piston, with foot and retainer	3
	D25-014-1210	Piston Assembly, Buna ²	–
60	D25-075-2110	O-ring, bearing adjusting plate, Buna	1
61	D25-012-1010	Bearing Adjusting Plate	1
62	H25-007-1210	Cam Assembly (X), 20 GPM @ 1050 RPM ³	1
	H25-007-1212	Cam Assembly (I), 12 GPM @ 1200 RPM ³	1
	H25-007-1213	Cam Assembly (S), 16 GPM @ 1200 RPM ³	1
	H25-007-1214	Cam Assembly (E), 20 GPM @ 1200 RPM ³	1
63	D25-085-2210	Key, shaft	1
64	H25-031-2112	Seal, Buna, 1-1/8"	2
65	H25-037-2110	O-ring, pump housing, Buna, Ser. No. 100403 & above	1
	D25-037-2110	O-ring, pump housing, Buna, Ser. No. 100402 & below	1
–	D25-111-2400	Label, caution	1

¹ Pump serial numbers 90380 and lower many have two ball per piston.

² Piston Assembly includes cylinder, foot, valve plunger, O-rings, spring reatiner, and springs (50-59).

³ Cam Assembly includes cam, shaft, wobble plate, bearings, and cups. It is only available as an assembly.

H-25 Series Replacement Parts Kits

Ordering Information

A complete H-25 Replacement Parts Kit contains 11 digits including 7 customer-specified material options: for example D25K52NHFEK

1 D 2 2 3 5 4 5 5 6 7 8 9 10 11

4 Kit Designator

- K** Complete Fluid End Kit
- D** Diaphragm Kit
- V** Valve Kit (diaphragm not included)

6 Pump Head Type

- 2** Metallic
- 5** Non-metallic

7 Diaphragm & O-ring Material

- E** EPDM
- G** Viton®-XT
- J** Teflon® (used with metallic heads only)
- N** Buna-N
- P** Neoprene
- T** Buna-N-XS
- V** Viton®

8 Valve Seat Material

- C** Ceramic
- H** 17-4 PH Stainless Steel
- N** Nitronic 50
- T** Hastelloy® C
- X** Not included in Diaphragm Kit

9 Valve Material

- C** Ceramic
- F** 17-4 PH Stainless Steel (machined)
- H** 17-7 PH Stainless Steel (stamped)
- N** Nitronic 50
- T** Hastelloy® C
- X** Not included in Diaphragm Kit

10 Valve Springs

- E** Elgiloy®
- H** 17-7 PH Stainless Steel
- T** Hastelloy® C
- X** Not included in Diaphragm Kit

11 Valve Spring Retainers

- C** Celcon
- H** 17-7 PH Stainless Steel (used with metallic heads only)
- M** Kynar®
- P** Polypropylene
- T** Hastelloy® C (used with metallic heads only)
- Y** Nylon (Zytel)
- X** Not included in Diaphragm Kit

Kit Contents

Part Number*	Description	Qty	Kit Designator		
			K	D	V
D25-018- ___	Diaphragm	3	•	•	
D25-047- ___	O-ring, follower	3	•	•	
D25-074- ___	O-ring, outlet valve ¹	3	•	•	•
D25-097- ___ or					
D25-109- ___	O-ring, outer manifold ²	1	•	•	•
D25-073- ___	O-ring, inner manifold	1	•	•	•
D10-083- ___	O-ring, center manifold ³	1	•	•	•
D25-083- ___	O-ring, center bolt ⁴	1	•	•	•
D25-035- ___	O-ring, valve seat	6	•		•
D25-020- ___	Valve seat	6	•		•
D25-021- ___	Valve	6	•		•
D25-022- ___	Valve spring	6	•		•
D25-092- ___	Tetra seal ⁵	6	•		•
D25-023- ___	Retainer, valve spring	6	•		•
D25-125- ___	Washer, dampening ⁶	6	•		•
A01-113-3400	Threadlocker	1	•	•	

* Last four digits of part numbers with ___ refer to specific material of construction.

¹ D25-074 is provided with metallic heads only.

² D25-097 is provided with metallic heads; D25-109 is provided with non-metallic heads

³ D10-083 is provided with non-metallic heads and metallic head models with brass external centerbolt.

⁴ D25-083 is provided with metallic heads only.

⁵ Tetra seal is provided with non-metallic spring retainers only.

⁶ Dampening washer is provided for non-metallic heads only.



WANNER ENGINEERING, INC.

1204 Chestnut Avenue, Minneapolis, MN 55403

TEL: (612) 332-5681 FAX: (612) 332-6937

TOLL-FREE FAX [US only]: (800) 332-6812

www.hydra-cell.com

email: sales@wannereng.com

Document Fax Back System (510) 745-0440