

PARTS MANUAL

Hydra-Cell[®]

INDUSTRIAL PUMPS

IMPORTANT

Record your pump model number and serial number here for easy reference:

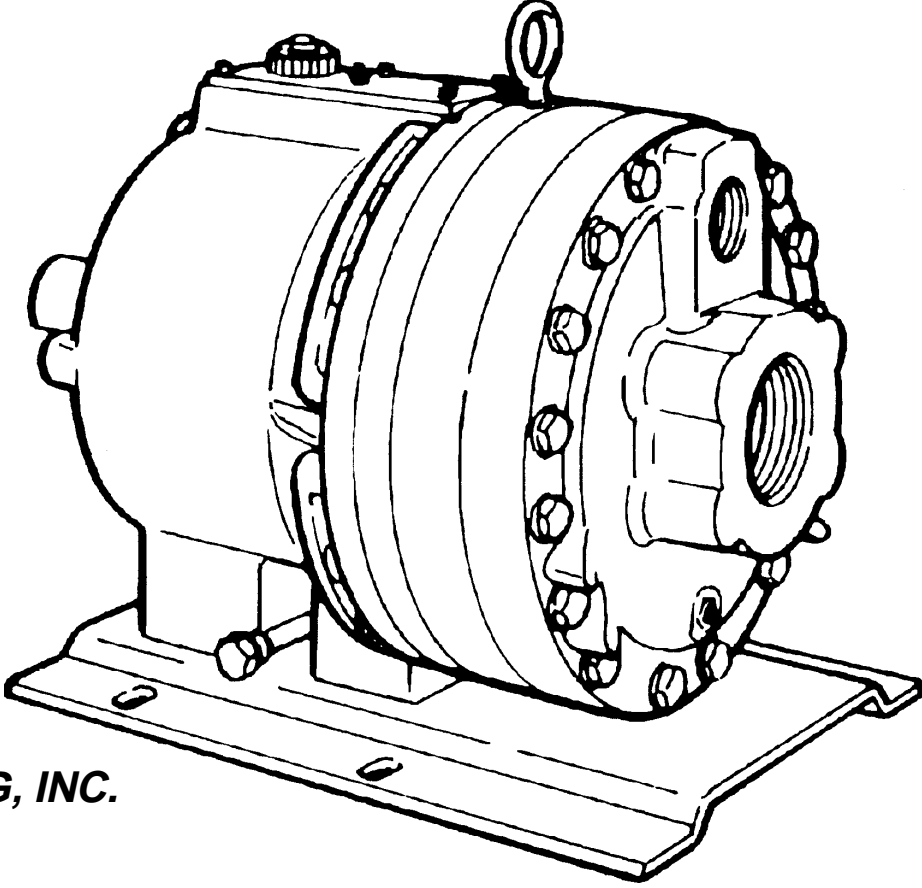
Model No. _____

Serial No. _____

Date of Purchase _____

When ordering parts or making inquiries about this pump, please mention the model and serial numbers.

MODEL: D-35



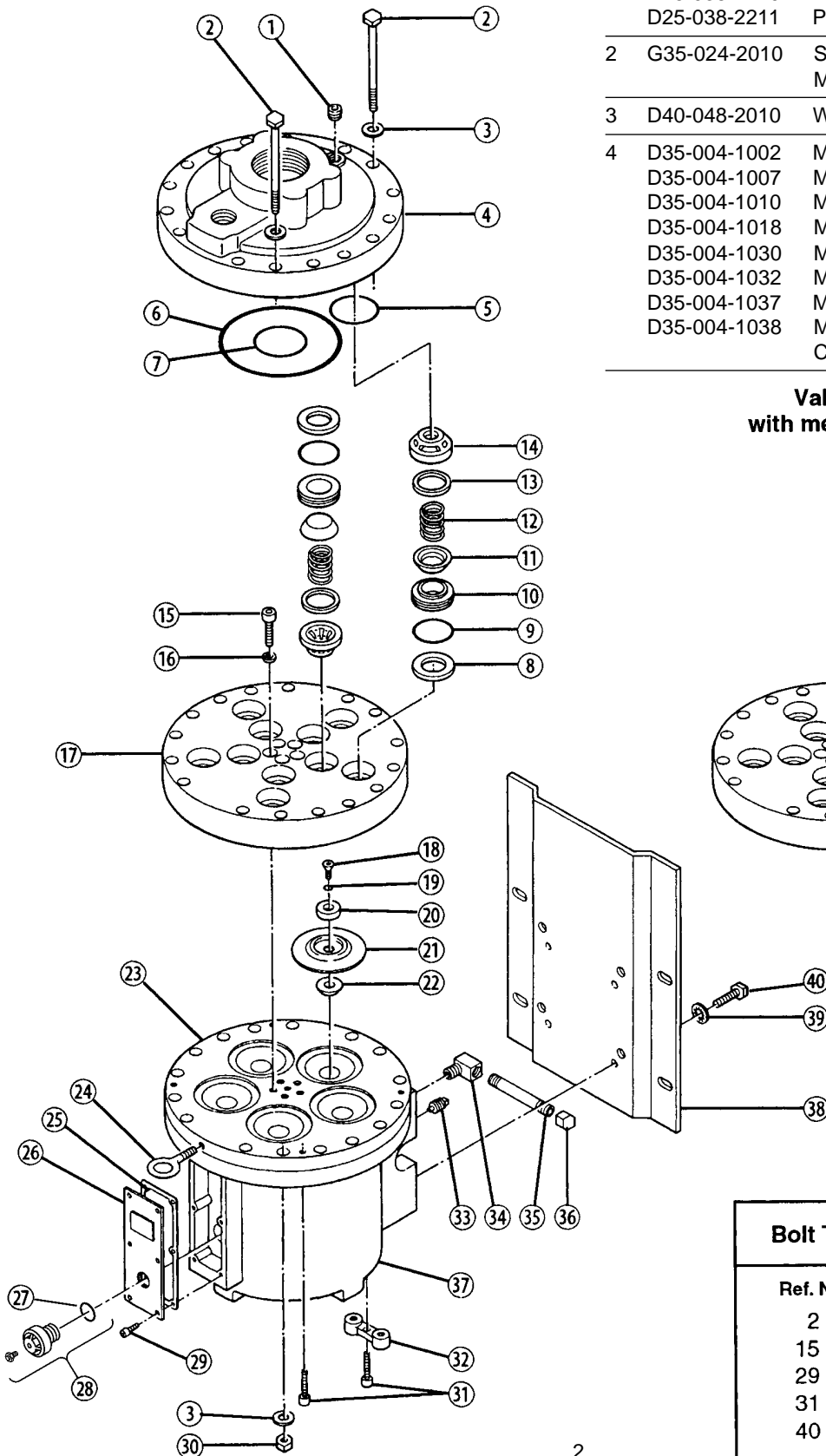
WANNER ENGINEERING, INC.

1204 Chestnut Avenue, Minneapolis, MN 55403
TEL: (612) 332-5681 FAX: (612) 332-6937
TOLL-FREE FAX [US only]: (800) 332-6812

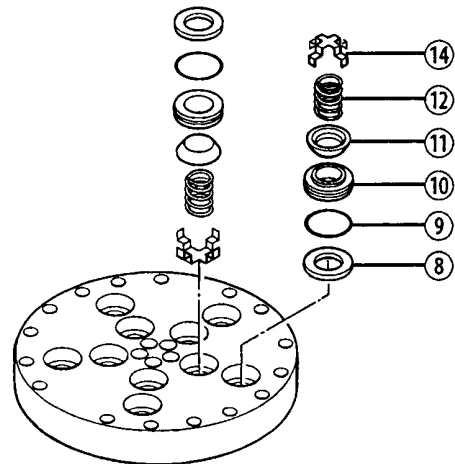
www.hydra-cell.com
email: sales@wannereng.com
Document Fax Back System: (510) 745-0440

D-35 Fluid End

Ref #	Part Number	Description	Quantity/ Pump
1	D25-038-2017	Plug, Hastelloy C	1
	D25-038-2210	Plug, Brass	1
	D25-038-2211	Plug, 316 SST.....	1
2	G35-024-2010	Screw, hex-head cap, M12 x 1.75 x 140 mm	16
3	D40-048-2010	Washer, flat, special	30
4	D35-004-1002	Manifold, 316L SST, NPT	1
	D35-004-1007	Manifold, ductile iron, NPT	1
	D35-004-1010	Manifold, magn/bronze, NPT	1
	D35-004-1018	Manifold, nickel alloy C series, NPT..	1
	D35-004-1030	Manifold, magn/bronze, SAE flange..	1
	D35-004-1032	Manifold, 316L SST, SAE flange	1
	D35-004-1037	Manifold D.I., SAE flange	1
	D35-004-1038	Manifold, nickel alloy C series, SAE flange	1



Valve Assemblies with metal spring retainers



Bolt Torque Specifications

Ref. No.	Assembly Torque
2	65 ft-lbs (88 N-m)
15	65 ft-lbs (88 N-m)
29	9 ft-lbs (12 N-m)
31	25 ft-lbs (34 N-m)
40	45 ft-lbs (60 N-m)

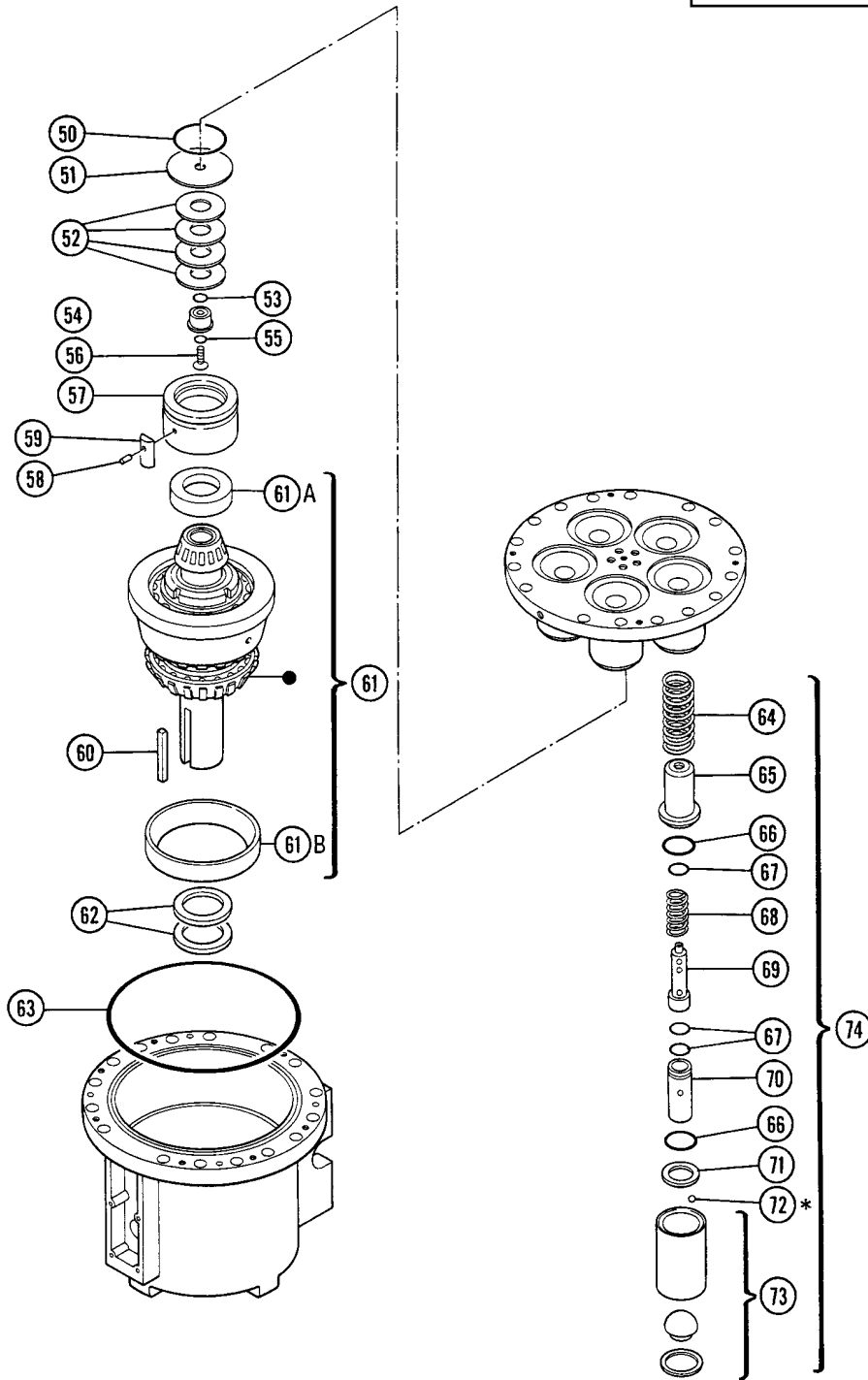
D-35 Fluid End

Ref #	Part Number	Description	Quantity/ Pump	Ref #	Part Number	Description	Quantity/ Pump
5	D25-074-2110	O-ring, Buna	5	17	D35-003-1002	Valve Plate, 316 SST	1
	D25-074-2111	O-ring, Viton	5		D35-003-1003	Valve Plate, brass	1
	D25-074-2112	O-ring, Neoprene	5		D35-003-1007	Valve Plate, ductile iron	1
	D25-074-2113	O-ring, EPDM	5		D35-003-1018	Valve Plate, nickel alloy C series	1
	D25-074-2118	O-ring, Teflon	5	18	D25-030-2010	Screw, flat-head, 316 SST	5
6	D35-073-2110	O-ring, Buna	1		D25-030-2011	Screw, flat-head, Hastelloy C	5
	D35-073-2111	O-ring, Viton	1	19	D25-047-2110	O-ring, Buna	5
	D35-073-2112	O-ring, Neoprene	1		D25-047-2111	O-ring, Viton	5
	D35-073-2113	O-ring, EPDM	1		D25-047-2112	O-ring, Neoprene	5
	D35-073-2118	O-ring, Teflon	1		D25-047-2113	O-ring, EPDM	5
7	D35-080-2110	O-ring, Buna	1		D25-047-2118	O-ring, Teflon	5
	D35-080-2111	O-ring, Viton	1	20	D25-017-1010	Follower, 316 SST	5
	D35-080-2112	O-ring, Neoprene	1		D25-017-1011	Follower, Hastelloy C	5
	D35-080-2113	O-ring, EPDM	1	21	D25-018-2310	Diaphragm, Buna-N	5
	D35-080-2118	O-ring, Teflon	1		D25-018-2311	Diaphragm, Viton	5
8	D25-125-1011	Washer, dampening, 316 SST	10		D25-018-2312	Diaphragm, Neoprene	5
	D25-125-1017	Washer, dampening, Hastelloy C	10		D25-018-2313	Diaphragm, EPDM	5
	D25-125-2310	Washer, dampening, Delrin	10		D25-018-2315	Diaphragm, Viton-XT	5
	D25-125-2316	Washer, dampening, Nylon	10		D25-018-2318	Diaphragm, Teflon	5
	D25-125-2317	Washer, dampening, polypropylene	10		D25-018-2320	Diaphragm, Buna-N-XS	5
	D25-125-2318	Washer, dampening, Kynar	10	22	D25-016-1010	Plunger	5
9	D25-035-2110	O-ring, Buna	10	23	G35-002-1010	Cylinder Housing	1
	D25-035-2111	O-ring, Viton	10	24	D40-102-2010	Eyebolt	1
	D25-035-2112	O-ring, Neoprene	10	25	D35-106-2310	Gasket, cover	1
	D25-035-2113	O-ring, EPDM	10	26	D35-105-1010	Cover, housing	1
	D25-035-2118	O-ring, Teflon	10	27	D10-080-2110	O-ring, Buna, 118	1
10	D25-020-1010	Valve Seat, 17-4 HT SST	10	28	D03-039-1210	Cap oil fill (includes breather & O-ring)	1
	D25-020-1012	Valve Seat, Nitronic 50	10	29	G35-088-2010	Screw, socket-head cap, M6 x 1 x 20 mm	6
	D25-020-1017	Valve Seat, Hastelloy C	10	30	G35-028-2010	Nut, hex, M12 x 1.75	14
	D25-020-3300	Valve Seat, ceramic	10	31	G35-029-2010	Screw, socket-head cap, M10 x 1.5 x 35 mm	5
11	D25-021-1011	Valve, Nitronic 50	10	32	G35-140-1000	Bolting Bar, double	1
	D25-021-1015	Valve, 17-4 HT SST, machined	10	33	D35-111-2010	Plug, magnetic	1
	D25-021-1017	Valve, Hastelloy C	10	34	D25-076-2210	Elbow, 90°, brass	1
	D25-021-3300	Valve, ceramic	10	35	D25-077-2210	Pipe, brass	1
12	D25-022-3110	Valve Spring, 17-7 HT SST	10	36	D25-078-2210	Pipe Cap, brass	1
	D25-022-3114	Valve Spring, Elgiloy	10	37	G35-001-1210	Pump Housing Assembly, aluminum ¹	1
	D25-022-3115	Valve Spring, Hastelloy C	10		G35-011-1211	Pump Housing Assembly, ductile iron ¹	1
13	D25-092-2110	Tetra Seal, Buna	10	38	D40-025-1010	Baseplate	1
	D25-092-2111	Tetra Seal, Viton	10	39	G35-054-2010	Washer, int. tooth, M12	4
	D25-092-2112	Tetra Seal, Neoprene	10	40	G35-087-2010	Screw, hex-head cap, M12 x 1.75 x 35 mm	4
	D25-092-2113	Tetra Seal, EPDM	10				
	D25-092-2118	O-ring, Teflon	10				
14	D25-023-1010	Retainer, valve spring, 17-7 HT SST	10				
	D25-023-1017	Retainer, valve spring, Hastelloy C	10				
	D25-023-2310	Retainer, valve spring, Celcon	10				
	D25-023-2316	Retainer, valve spring, Nylon	10				
	D25-023-2317	Retainer, valve spring, polypropylene	10				
	D25-023-2318	Retainer, valve spring, Kynar	10				
15	G35-081-2010	Screw, socket-head cap, M12 x 1.75 x 40mm	5				

¹ Pump Housing Assembly includes housing, gasket (25), cover (26), and screws (29).

D-35 Hydraulic End

Ref #	Assembly Torque
56	25 ft-lbs (34 N-m)



* Qty per piston: 4

D-35 Hydraulic End

Ref #	Part Number	Description	Quantity/ Pump
50	D35-080-2110	O-ring, Buna	1
51	D35-116-1010	Washer, backup	1
52	D40-075-3110	Spring, disc	4
53	D10-083-2110	O-ring, Buna	1
54	D35-112-1011	Guide, disc spring	1
55	D40-047-2110	O-ring, Buna	1
56	G35-115-2011	Screw, flat socket cap, M10 x 1.5 x 25 mm	1
57	D35-012-1010	Plate, bearing adjustment	1
58	D35-110-2010	Pin, dowel	1
59	D35-113-1010	Key	1
60	D40-085-1010	Key, shaft	1
61	D35-007-1210	Cam Assembly, 37 GPM @ 1050 RPM	1
	D35-007-1212	Cam Assembly, 35 GPM @1160 RPM	1
62	D40-031-2110	Seal, shaft	2
63	D35-037-2110	O-ring, Buna	1
64	D25-019-3111	Spring, piston return	5
65	D25-042-1010	Retainer, spring	5
66	D25-034-2110	O-ring, Buna	10
67	D25-046-2110	O-ring, Buna	15
68	D25-045-3110	Spring, sleeve valve	5
69	D25-044-1010	Plunger, valve	5
70	D25-043-1010	Cylinder, valve	5
71	D25-041-1010	Washer, retaining	5
72	D25-015-3010	Ball, steel	20
73	D25-014-1209	Piston, with foot and retainer	5
74	D25-014-1210	Piston Assembly, Buna	5

D-35 Series Replacement Parts Kits

Ordering Information

A complete D-35 Replacement Parts Kit contains 11 digits including 6 customer-specified material options: for example D35K52GHHEP

1 D 2 3 3 5 4 5 5 6 2 7 8 9 10 11

4 Kit Designator

- K** Complete Fluid End Kit
- D** Diaphragm Kit
- V** Valve Kit (diaphragm not included)

7 Diaphragm & O-ring Material

- E** EPDM
- G** Viton®-XT
- J** Teflon®
- N** Buna-N
- P** Neoprene
- T** Buna-N-XS
- V** Viton®

8 Valve Seat Material

- C** Ceramic
- H** 17-4 PH Stainless Steel
- S** 316 Stainless Steel
- N** Nitronic 50
- X** Not included in Diaphragm Kit

9 Valve Material

- C** Ceramic
- F** 17-4 PH Stainless Steel (machined)
- N** Nitronic 50
- T** Hastelloy® C
- X** Not included in Diaphragm Kit

10 Valve Springs

- E** Elgiloy®
- H** 17-7 PH Stainless Steel
- T** Hastelloy® C
- X** Not included in Diaphragm Kit

Valve Spring Retainers

- C** Celcon
- H** 17-7 PH Stainless Steel (used with metallic heads only)
- M** Kynar®
- P** Polypropylene
- T** Hastelloy® C (used with metallic heads only)
- Y** Nylon (Zytel)
- X** Not included in Diaphragm Kit

Kit Contents

Part Number*	Description	Qty	Kit Designator		
			K	D	V
D25-018- ___	Diaphragm	5	•	•	
D25-047- ___	O-ring, follower	5	•	•	
D25-074- ___	O-ring, outlet valve	5	•	•	•
D35-073- ___	O-ring, outer manifold	1	•	•	•
D35-080- ___	O-ring, center manifold	1	•	•	•
D25-035- ___	O-ring, valve seat	10	•		•
D25-020- ___	Valve seat	10	•		•
D25-021- ___	Valve	10	•		•
D25-022- ___	Valve spring	10	•		•
D25-092- ___	Tetra seal ¹	10	•		•
D25-023- ___	Retainer, valve spring	10	•		•
D25-125- ___	Washer, dampening	10	•		•
A01-113-3400	Threadlocker	1	•	•	

* Last four digits of part numbers with ___ refer to specific material of construction.

¹ Tetra seal is provided with non-metallic spring retainers only.



WANNER ENGINEERING, INC.

1204 Chestnut Avenue, Minneapolis, MN 55403
 TEL: (612) 332-5681 FAX: (612) 332-6937
 TOLL-FREE FAX [US only]: (800) 332-6812

www.hydra-cell.com

email: sales@wannereng.com

Document Fax Back System (510) 745-0440