

**PARTS MANUAL**

# Hydra-Cell®

## INDUSTRIAL PUMPS

**IMPORTANT**

Record your pump model number and serial number here for easy reference:

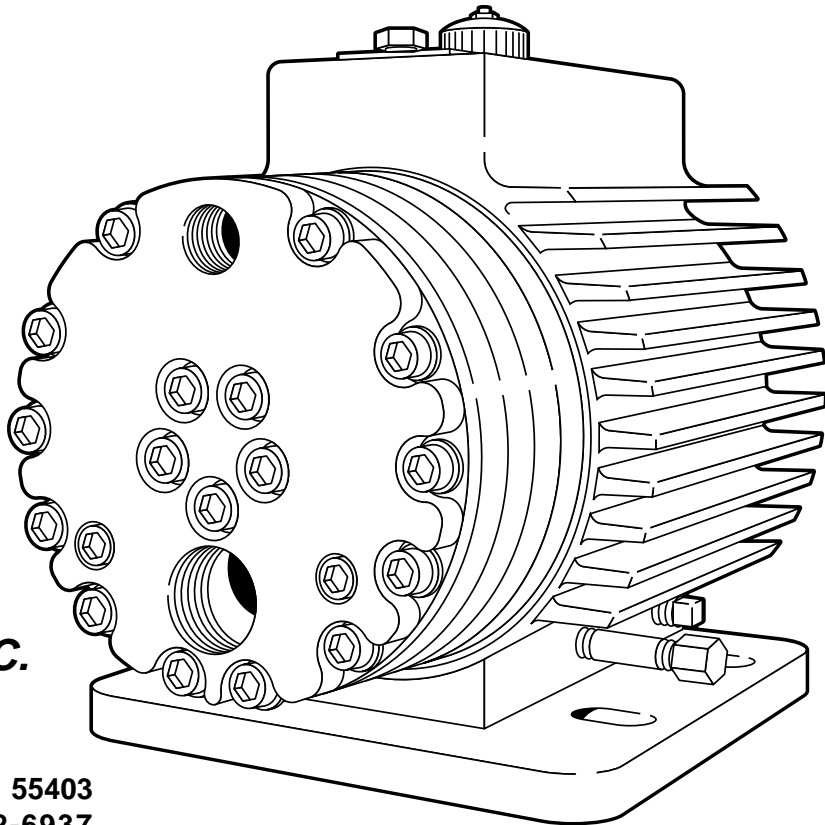
Model No. \_\_\_\_\_

Serial No. \_\_\_\_\_

Date of Purchase \_\_\_\_\_

When ordering parts or making inquiries about this pump, please mention the model and serial numbers.

### **MODEL: D-15**



**WANNER ENGINEERING, INC.**

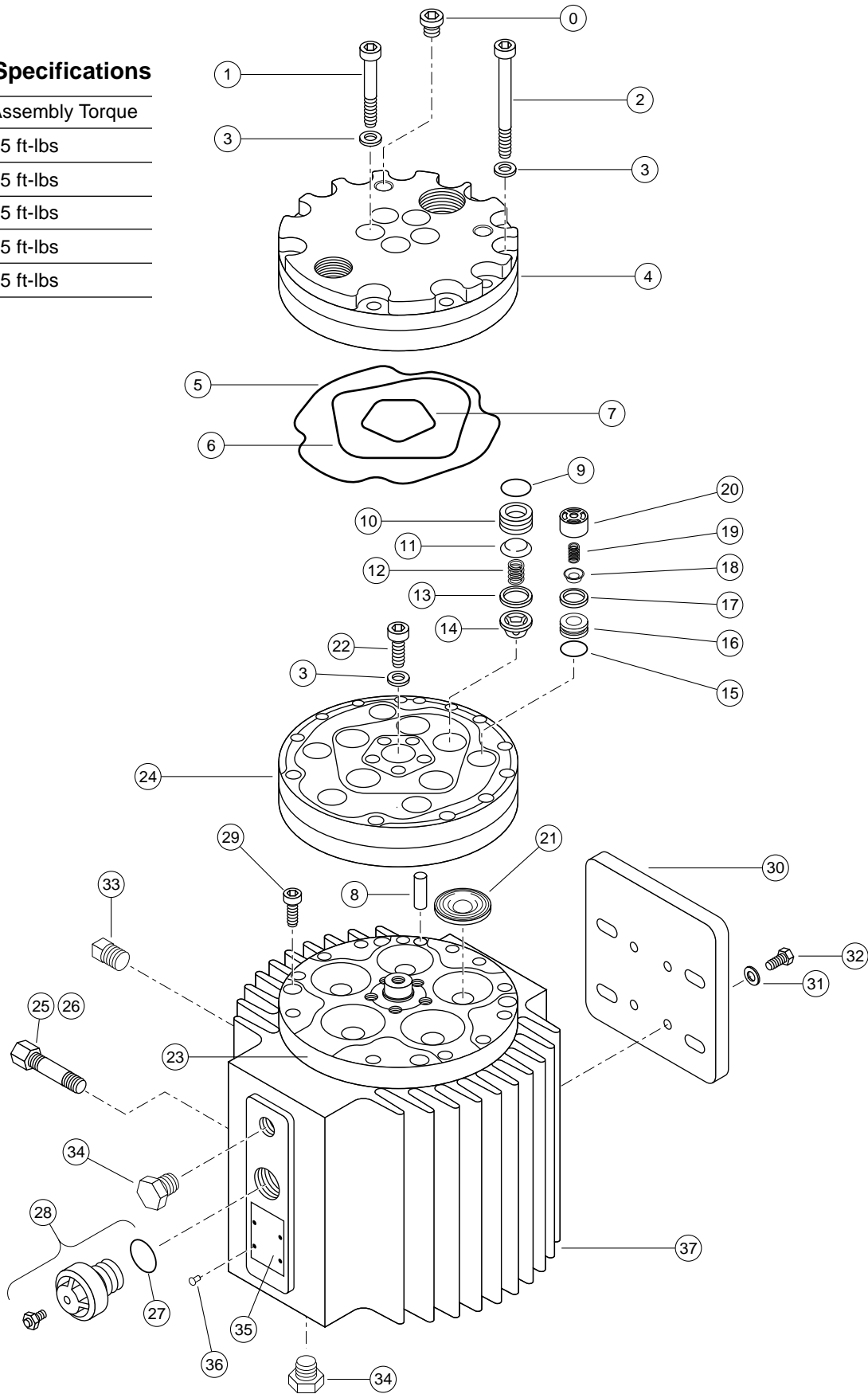
1204 Chestnut Avenue, Minneapolis, MN 55403  
TEL: (612) 332-5681 FAX: (612) 332-6937  
TOLL-FREE FAX [US only]: (800) 332-6812

www.hydra-cell.com  
email: sales@wannereng.com  
Document Fax Back System (510) 745-0440

# Fluid End

## Bolt Torque Specifications

Ref. #	Assembly Torque
1	45 ft-lbs
2	45 ft-lbs
22	45 ft-lbs
29	15 ft-lbs
32	45 ft-lbs



# Fluid End

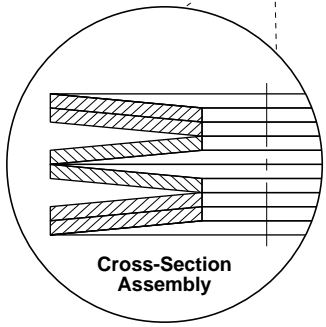
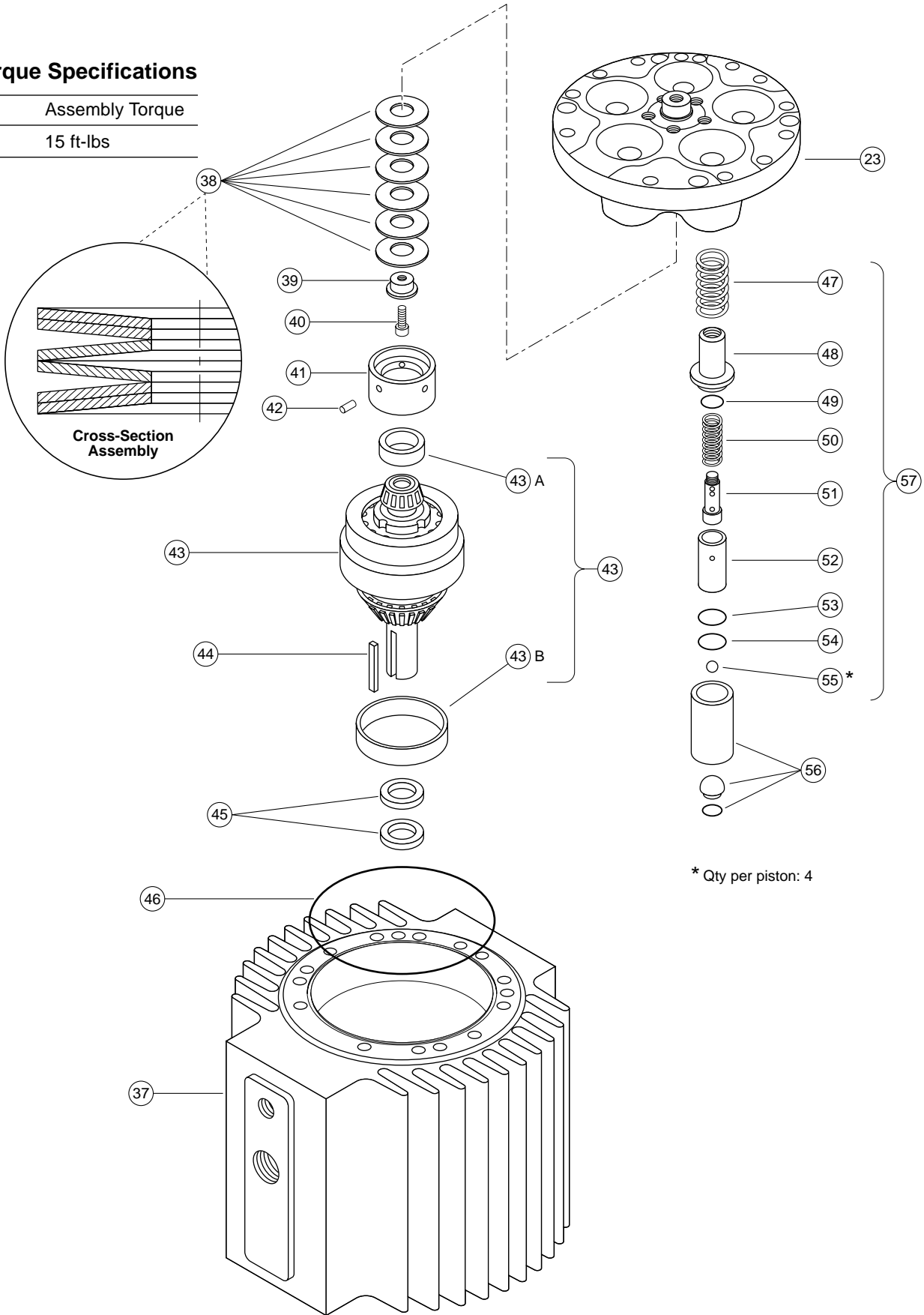
Ref #	Part Number	Description	Quantity/ Pump
0	D25-038-2211	Plug, 316 SST	2
1	G15-081-2010	Screw, socket-head-cap, M10 x 1.5 x 85mm	5
2	G25-024-2010	Screw, socket-head-cap, M10 x 1.5 x 120mm	12
3	D11-048-2011	Washer, flat	18
4	D15-004-1010	Manifold, brass, NPT	1
	D15-004-1012	Manifold, 316L SST, NPT	1
5	D40-073-2110	O-ring, outer manifold, Buna	1
	D40-073-2111	O-ring, outer manifold, Viton	1
6	D15-073-2110	O-ring, middle manifold, Buna	1
	D15-073-2111	O-ring, middle manifold, Viton	1
7	D35-080-2120	O-ring, inner manifold, Buna	1
	D35-080-2121	O-ring, inner manifold, Viton	1
8	D15-026-2210	Pin, dowel	1
9	D10-035-2110	O-ring, inlet valve seat, Buna	5
	D10-035-2111	O-ring, inlet valve seat, Viton	5
10	D15-020-1010	Valve Seat, inlet, 17-4 SST, HT	5
	D15-020-1011	Valve Seat, inlet, Nitronic	5
	D15-020-1016	Valve Seat, inlet, Carbide	5
11	D10-021-1015	Valve, inlet, 17-4 SST, HT	5
	D10-021-1011	Valve, inlet, Nitronic	5
	D10-021-1016	Valve, inlet, Carbide	5
12	D10-022-3117	Valve Spring, inlet, Elgiloy	5
	D10-022-3123	Valve Spring, inlet, Hastelloy C	5
13	D10-092-2110	Tetra Seal, inlet, Buna	5
	D10-092-2111	Tetra Seal, inlet, Viton	5
14	D10-023-2310	Retainer, inlet valve spring, Celcon	5
	D10-023-2326	Retainer, inlet valve spring, Nylon	5
	D10-023-2327	Retainer, inlet valve spring, Polypropylene	5
	D10-023-2328	Retainer, inlet valve spring, Kynar	5
15	D25-046-2110	O-ring, outlet valve seat, Buna	5
	D25-046-2111	O-ring, outlet valve seat, Viton	5
16	D15-020-2010	Valve Seat, outlet, 17-4 SST, HT	5
	D15-020-2011	Valve Seat, outlet, Nitronic	5
	D15-020-2016	Valve Seat, outlet, Carbide	5

Ref #	Part Number	Description	Quantity/ Pump
17	D03-092-2110	Tetra Seal, outlet, Buna	5
	D03-092-2111	Tetra Seal, outlet, Viton	5
18	D03-021-1015	Valve, outlet, 17-4 SST, HT	5
	D03-021-1011	Valve, outlet, Nitronic	5
	D03-021-1016	Valve, outlet, Carbide	5
19	D03-022-3114	Valve Spring, outlet, Elgiloy	5
	D03-022-3113	Valve Spring, outlet, Hastelloy C	5
20	D03-023-2310	Retainer, outlet valve spring, Celcon	5
	D03-023-2316	Retainer, outlet valve spring, Nylon	5
	D03-023-2317	Retainer, outlet valve spring, Polypropylene	5
	D03-023-2318	Retainer, outlet Valve Spring, Kynar	5
21	D15-018-1220	Diaphragm, Buna-N-XS	5
	D15-018-1215	Diaphragm, Viton-XT	5
22	G10-087-2010	SHCS, M10 x 1.5 x 30mm	1
23	G15-002-1010	Cylinder Housing	1
24	D15-003-1010	Valve Plate, Brass	1
	D15-003-1012	Valve Plate, 316L SST	1
25	D25-077-2210	Pipe, Brass	1
26	D25-078-2210	Pipe Cap, Brass	1
27	D10-080-2110	O-ring, Buna	1
28	D03-039-1210	Cap, oil fill (includes breather and o-ring)	1
29	C22-015-2014	SHCS, M8 x 1.25 x 30	4
30	D15-025-1010	Base Plate	1
31	G35-084-2010	Lockwasher	4
32	G35-087-2010	HHCS, M12 x 1.75 x 35mm	4
33	D35-111-2010	Plug, magnetic	1
34	D25-038-2210	Plug, Brass	2
35	D10-040-2410	Name Plate	1
36	D10-112-2200	Rivet	4
37	G15-001-1010	Pump Housing	1

# Hydraulic End

## Bolt Torque Specifications

Ref. #	Assembly Torque
40	15 ft-lbs



\* Qty per piston: 4

# Hydraulic End

---

Ref #	Part Number	Description	Quantity/ Pump
38	D15-075-3110	Spring, disk .....	6
39	D15-112-1010	Guide, disk spring .....	1
40	G15-112-2010	SHCS, M8 x 1.25 x 10mm .....	1
41	D15-012-1010	Plate, bearing adjustment .....	1
42	D15-110-2210	Pin, dowel .....	1
43	D15-007-1210	Cam Assembly, 13 gpm @ 1450 rpm ..	1
44	D25-085-2210	Key, shaft .....	1
45	H25-031-2112	Seal shaft .....	2
46	D15-037-2110	O-ring, Buna .....	1
47	D10-019-3110	Spring, piston return .....	5
48	D10-042-1010	Retainer, spring .....	5
49	D10-046-2110	O-ring, Buna .....	5
50	D10-045-3110	Spring, sleeve valve .....	5
51	D15-044-1010	Plunger, valve .....	5
52	D10-043-1010	Cylinder, valve .....	5
53	D10-034-2110	O-ring, Buna .....	5
54	D10-041-1010	Washer, retaining .....	5
55	D10-015-3010	Ball, steel .....	20
56	D15-014-1209	Piston (with foot, retainer and balls)..	5
57	D15-014-1210	Piston Assembly, Buna .....	5

# D-15 Series Replacement Parts Kits

## Ordering Information

A complete D-15 Replacement Parts Kit contains 11 digits including 6 customer-specified material options: for example D15K52GHFEC

1 D 2 1 3 5 4 5 5 6 2 7 8 9 10 11

### 4 Kit Designator

- K** Complete Fluid End Kit
- D** Diaphragm Kit
- V** Valve Kit (diaphragm not included)

### 7 Diaphragm & O-ring Material

- G** Viton®-XT
- T** Buna-N-XS

### 8 Valve Seat Material

- D** Carbide
- H** 17-4 PH Stainless Steel
- N** Nitronic 50
- T** Hastelloy® C
- X** Not included in Diaphragm Kit

### 9 Valve Material

- D** Carbide
- F** 17-4 PH Stainless Steel (machined)
- N** Nitronic 50
- T** Hastelloy® C
- X** Not included in Diaphragm Kit

### 10 Valve Springs

- E** Elgiloy®
- T** Hastelloy® C
- X** Not included in Diaphragm Kit

### 11 Valve Spring Retainers

- C** Celcon
- M** Kynar®
- P** Polypropylene
- Y** Nylon (Zytel)
- X** Not included in Diaphragm Kit

## Kit Contents

Part Number*	Description	Qty	Kit Designator		
			K	D	V
D15-018-__	Diaphragm	5	•	•	
D40-073-__	O-ring, outer manifold	1	•	•	•
D15-073-__	O-ring, middle manifold	1	•	•	•
D35-080-__	O-ring, inner manifold	1	•	•	•
D10-035-__	O-ring, valve seat, inlet	5	•		•
D15-020-__	Valve seat, inlet	5	•		•
D10-021-__	Valve, inlet	5	•		•
D10-022-__	Valve spring, inlet	5	•		•
D10-092-__	Tetra seal, inlet	5	•		•
D10-023-__	Retainer, valve spring, inlet	5	•		•
D25-046-__	O-ring, valve seat, outlet	5	•		•
D15-020-__	Valve seat, outlet	5	•		•
D03-092-__	Tetra seal, outlet	5	•		•
D03-021-__	Valve, outlet	5	•		•
D03-022-__	Valve spring, outlet	5	•		•
D10-023-__	Retainer, valve spring, outlet	5	•		•
A01-113-3400	Threadlocker	1	•	•	

\* Last four digits of part numbers with -\_\_ refer to specific material of construction.



## WANNER ENGINEERING, INC.

1204 Chestnut Avenue, Minneapolis, MN 55403  
 TEL: (612) 332-5681 FAX: (612) 332-6937  
 TOLL-FREE FAX [US only]: (800) 332-6812

www.hydra-cell.com

email: sales@wannereng.com

Document Fax Back System (510) 745-0440