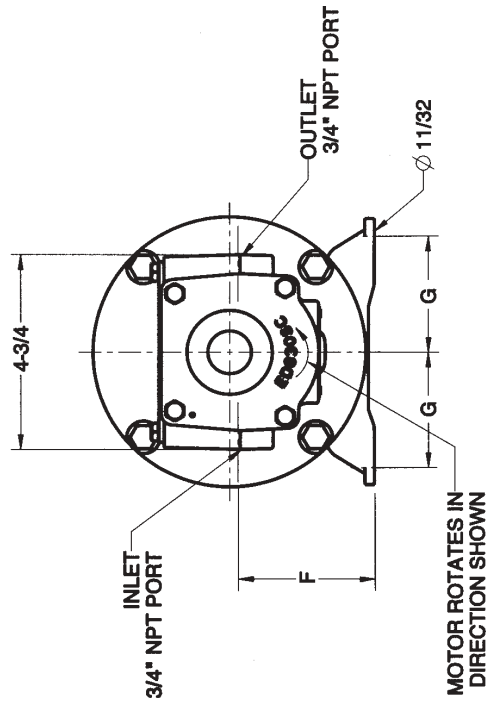


Z56RO Bracket for 6-9 GPM Universal Stainless Series Round Hub Pumps

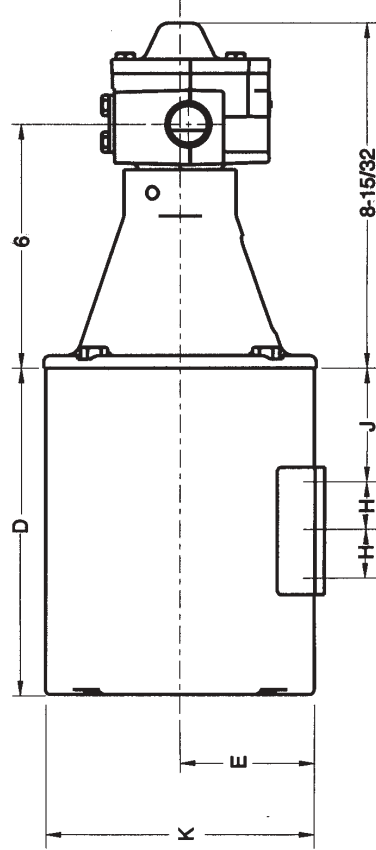
FRAME	D	E	F	G	H	J	K
48	9-3/8	3	2-13/16	2-1/8	1-3/8	2-5/16	5-13/16
56	9-3/4	3-1/2	3-5/16	2-7/16	1-1/2	2-9/16	6-3/4

"D" Dimension will vary with motor enclosure

**Z56RO Bracket for 6-9 gpm  
Stainless Universal Pump**



**FRONT VIEW**



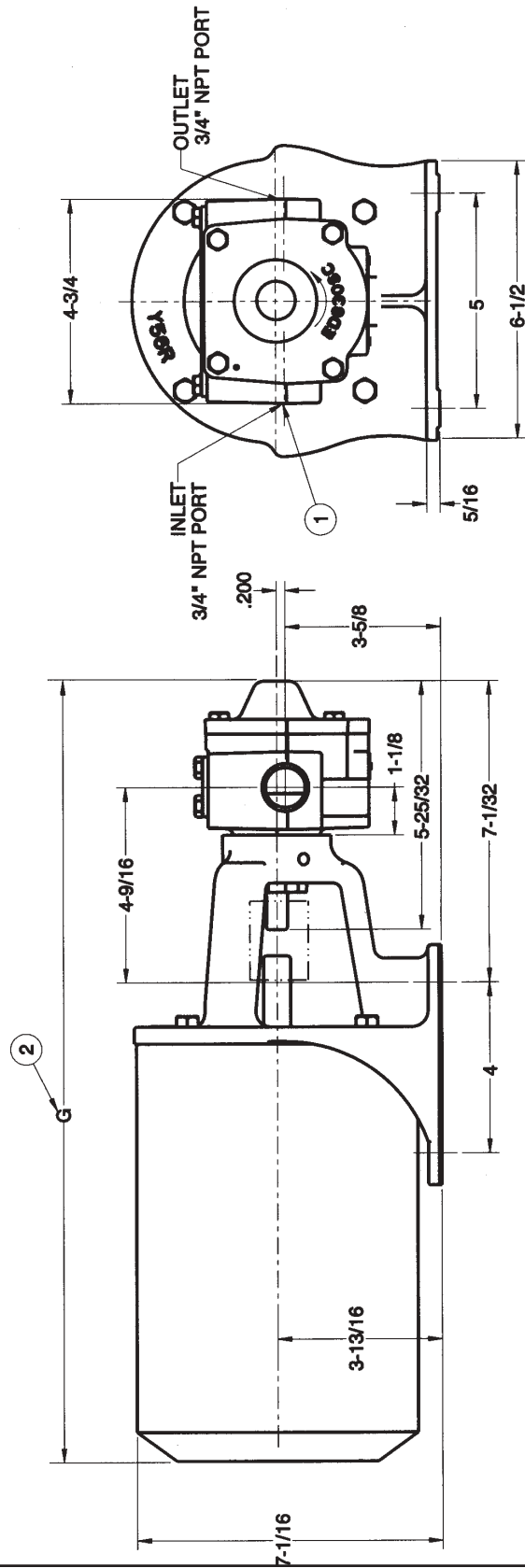
**LEFT SIDE**

**Y56R Bracket for 6-9 GPM Universal Stainless Series Round Hub Pumps**

DIMENSION "G"	
MOTOR FRAME	56
	18-7/32

- ① 3/4 in. IPT ports standard- 1/2 in. IPT ports on order.
- ② G varies with motor enclosure.

**Y56R Bracket for 6-9 gpm  
Stainless Universal Pump**



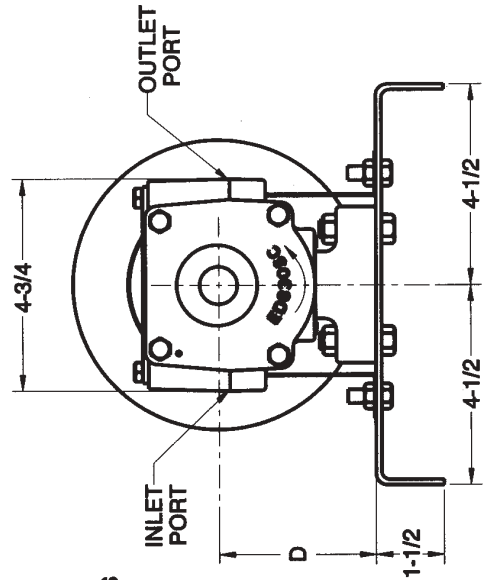
Motor Rotates  
In Direction Shown  
**FRONT VIEW**

**LEFT SIDE**

6US THROUGH 8US  
UNIVERSAL STAINLESS SERIES  
BEDPLATE ASSEMBLY

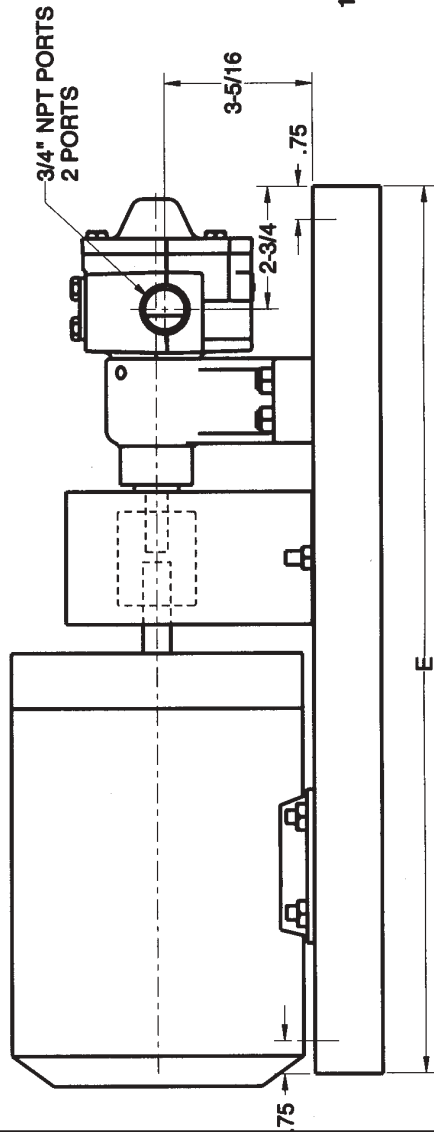
BEDPLATE	FRAME	D	E
S56B	48	3	20
	56, 143 145	3-1/2	
S140B	182	3-1/2	24
	184		

**Bedplate Assy for 6-8 gpm.  
Stainless Universal Pump**



Motor Rotates in  
Direction Shown

**FRONT VIEW**



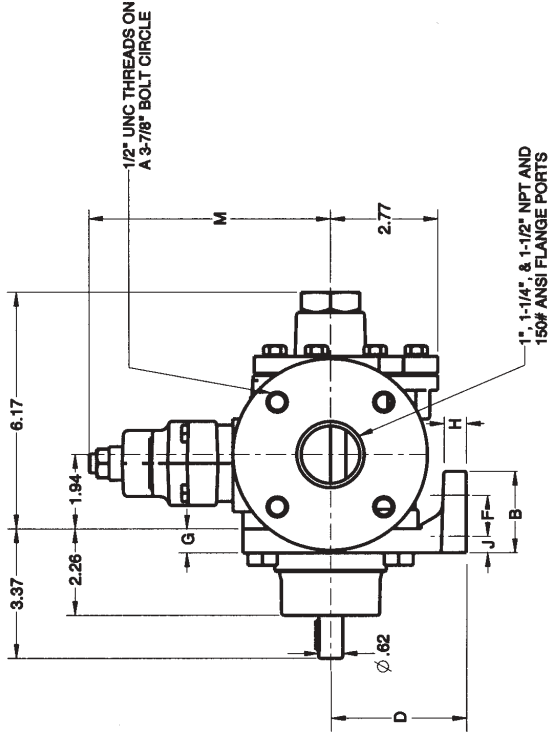
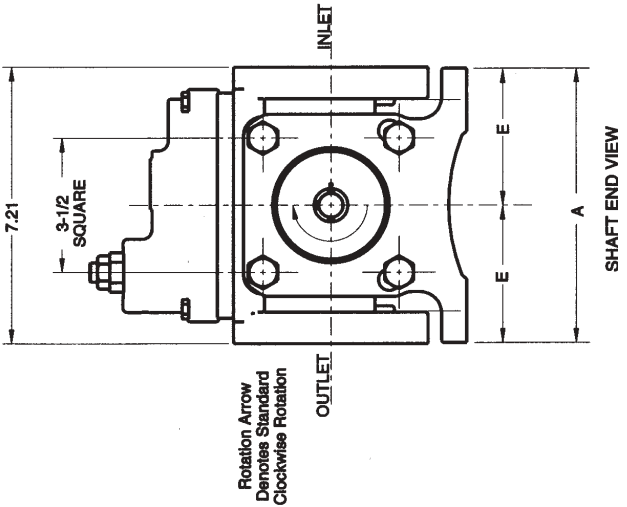
**LEFT SIDE**

Footed Bracket Base Mounting for 10-20 GPM Stainless Steel Height Pumps

Pump	WITH R.V.	W/O R.V.	M (URS)	M (US)
10URS	10US			
15URS	15US	2-29/32	6-7/32	
20URS	20US			

Bracket

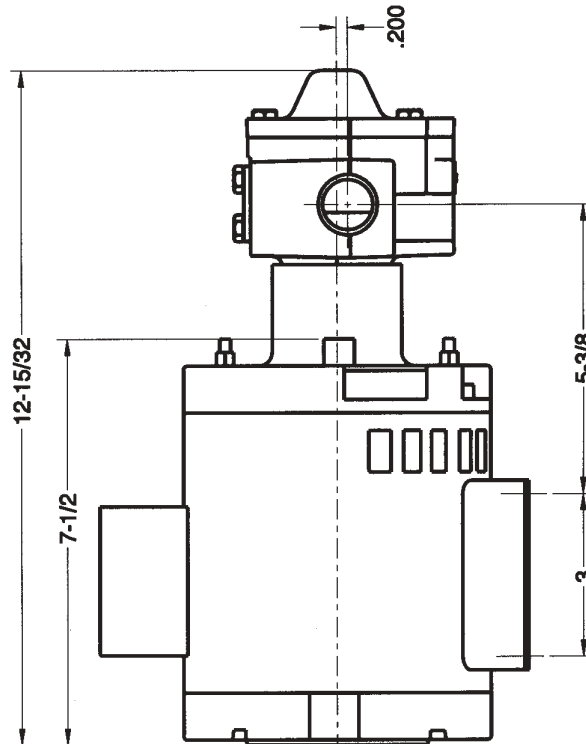
SIZE	D	A	B	E	F	H	G	J
H140	3-1/2	7	2-1/8	2-3/4	0	1/2	5/8	1-1/2
H182	4-1/2	9	3-1/2	3-3/4	1-7/8	1/2	3/4	7/8
H213	5-1/4	10	3-1/2	4-1/4	1-7/8	1/2	3/4	7/8
H254	6-1/4	12-1/8	4-5/8	5	1-1/2	11/16	3/4	1-1/16



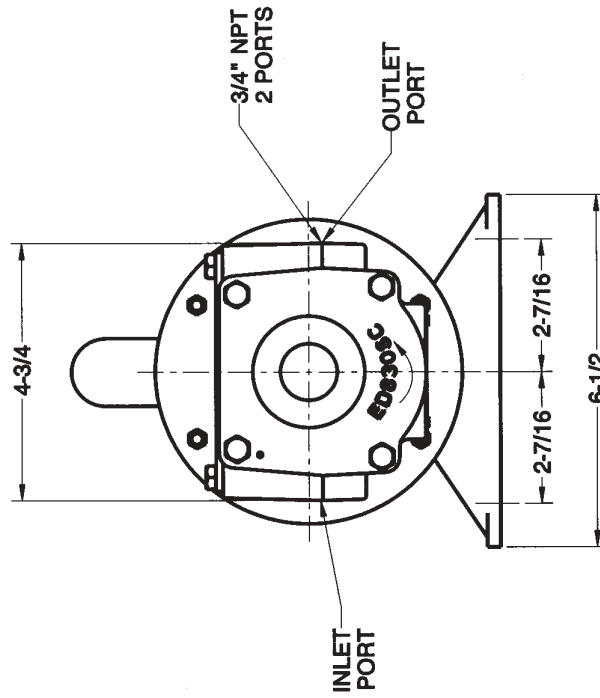
**Footed Bracket for Base Mounting  
6-9 gpm Stainless Universal Pump**

**HUB MOUNT ASSEMBLY  
6US THROUGH 9US  
UNIVERSAL STAINLESS SERIES**

**Hub Mount Assy for 6-9 gpm.  
Stainless Universal Pump**



**LEFT SIDE**

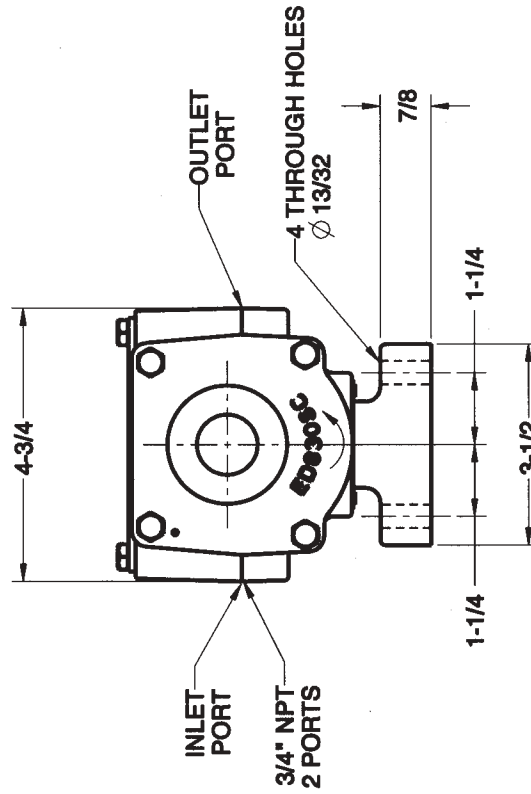


Motor Rotates  
in Direction Shown

**FRONT VIEW**

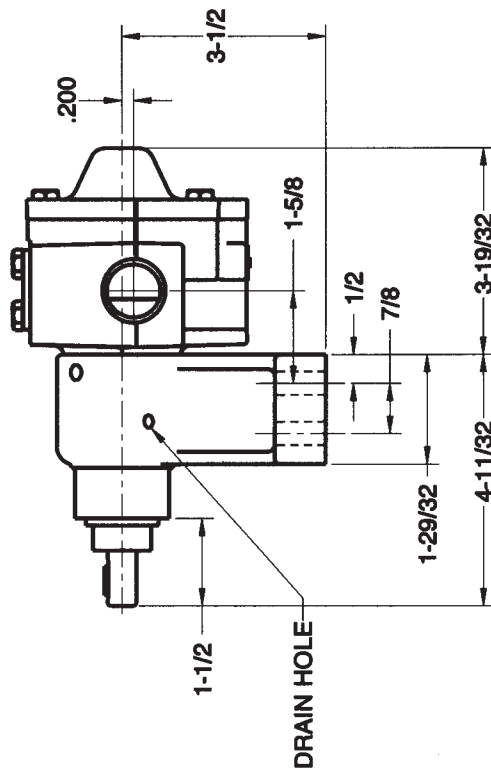
**Outboard Bearing Bracket & Pump Assembly  
6 - 9 GPM Universal Stainless Series**

**Outboard Bearing Bracket & Pump Assy for 6-9 gpm.  
Stainless Universal Pump**



Motor Rotates in  
Direction Shown

**FRONT VIEW**

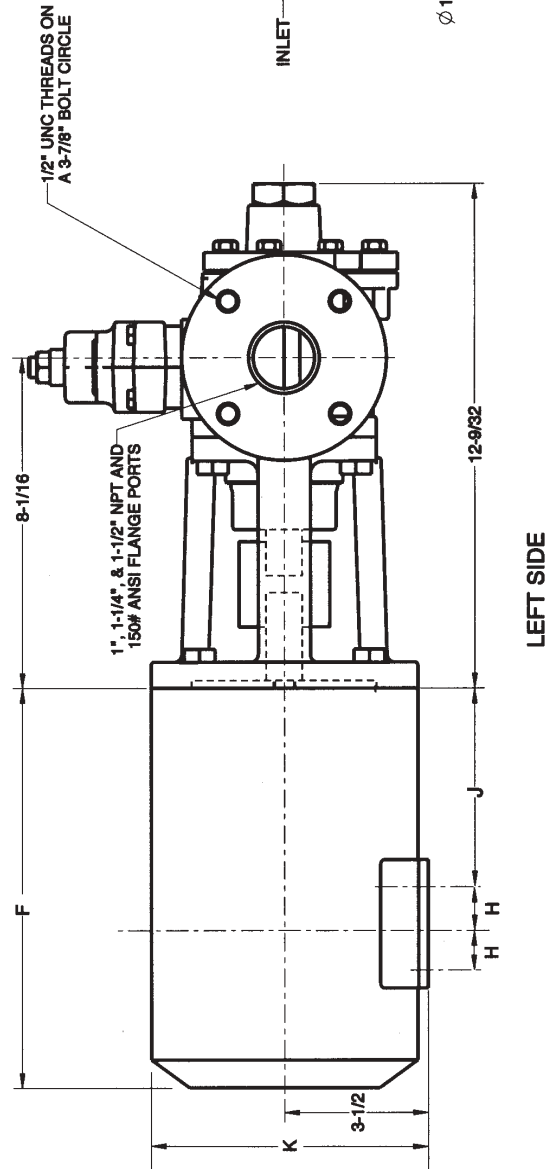
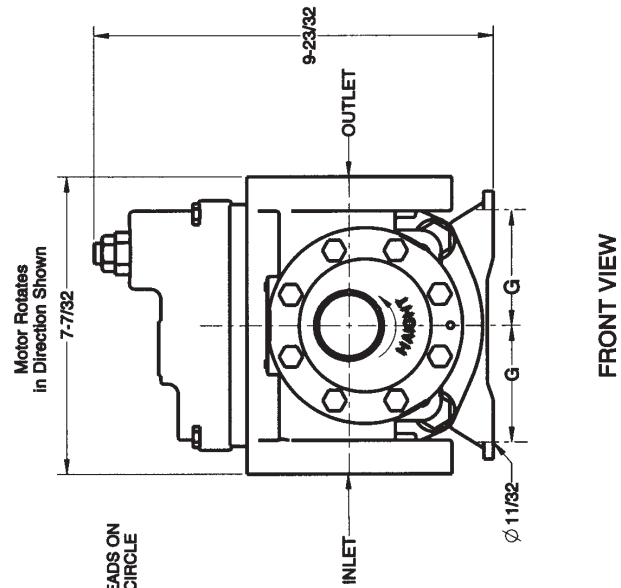


**LEFT SIDE**

Z56SO Bracket For 10-40 GPM Square Flanged Pumps

	F	G	H	J	K
56	9-3/4	2-7/16	1-1/2	2-9/16	6-3/4
143	10	2-3/4	2	2-3/4	6-13/16
FRAME	10	2-3/4	2-1/2	2-3/4	6-13/16

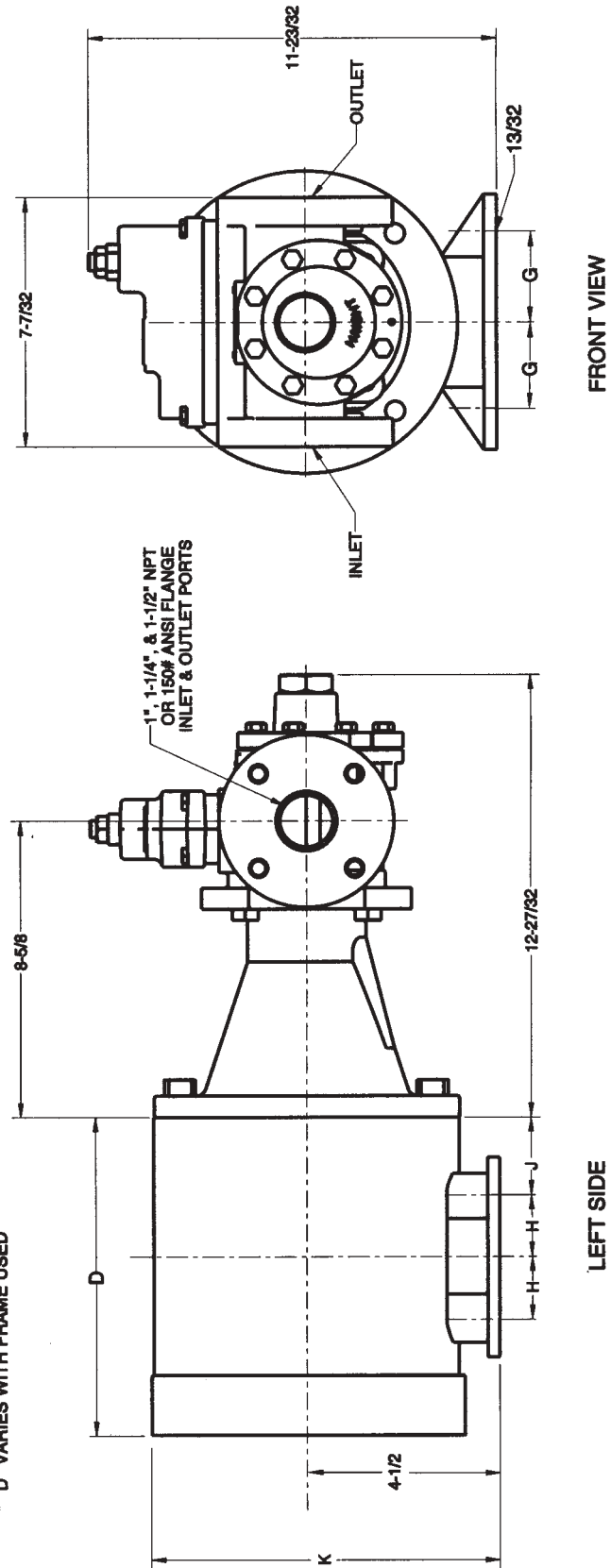
**Z56SO Bracket  
Stainless Universal Pump**



Z182SS BRACKET FOR 10-20 GPM STAINLESS STEEL HAIGHT PUMPS

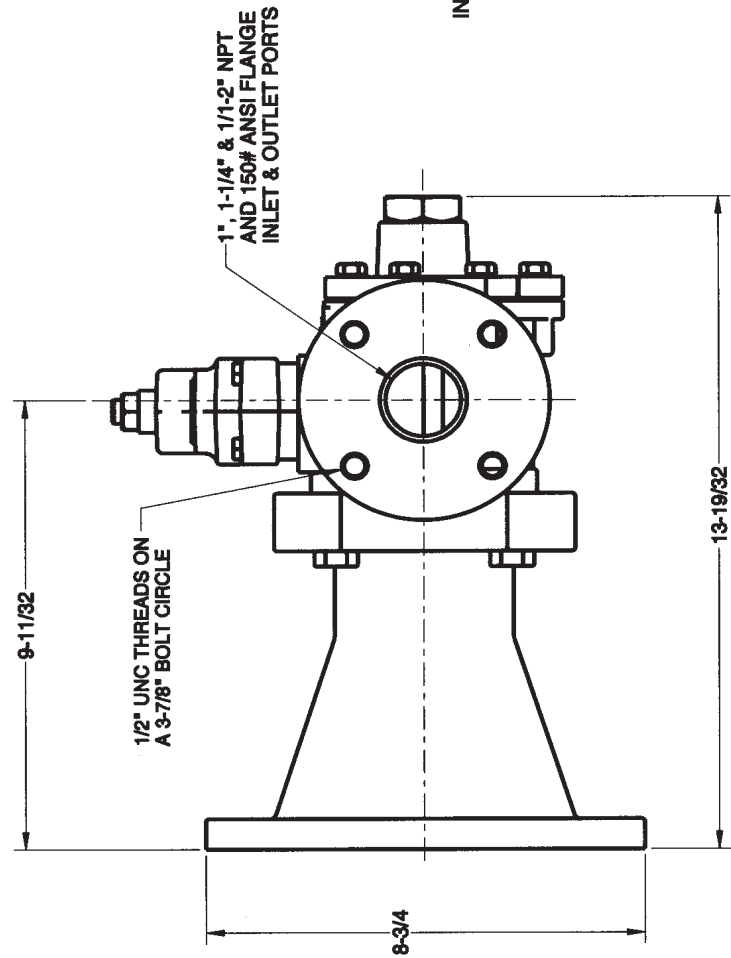
	D	G	H	J	K
FRAME	*	3-3/4	2-1/4	3-1/2	8-3/4
	*	3-3/4	2-3/4	3-1/2	8-3/4

\* "D" VARIES WITH FRAME USED

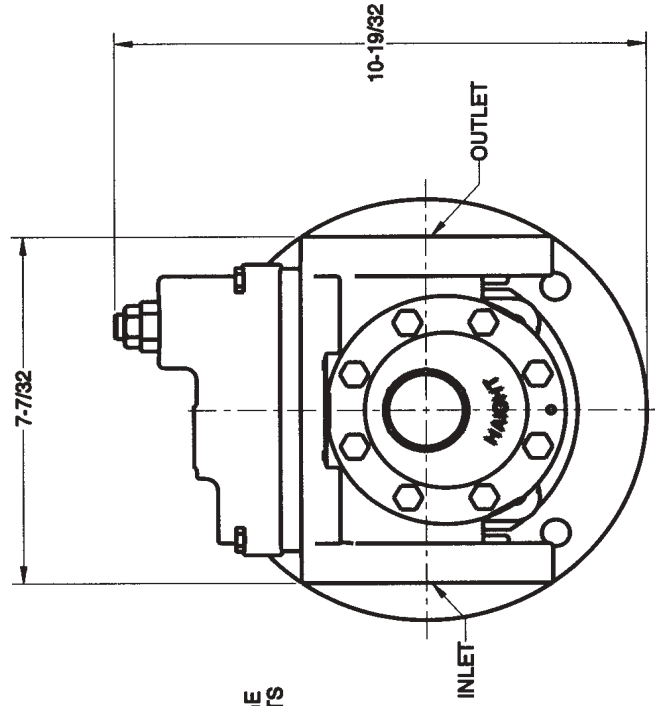


**Z182S Bracket  
Stainless Universal Pump**

**Z213SS BRACKET FOR 10-20 GPM STAINLESS STEEL HAIGHT PUMPS**



LEFT SIDE



FRONT VIEW

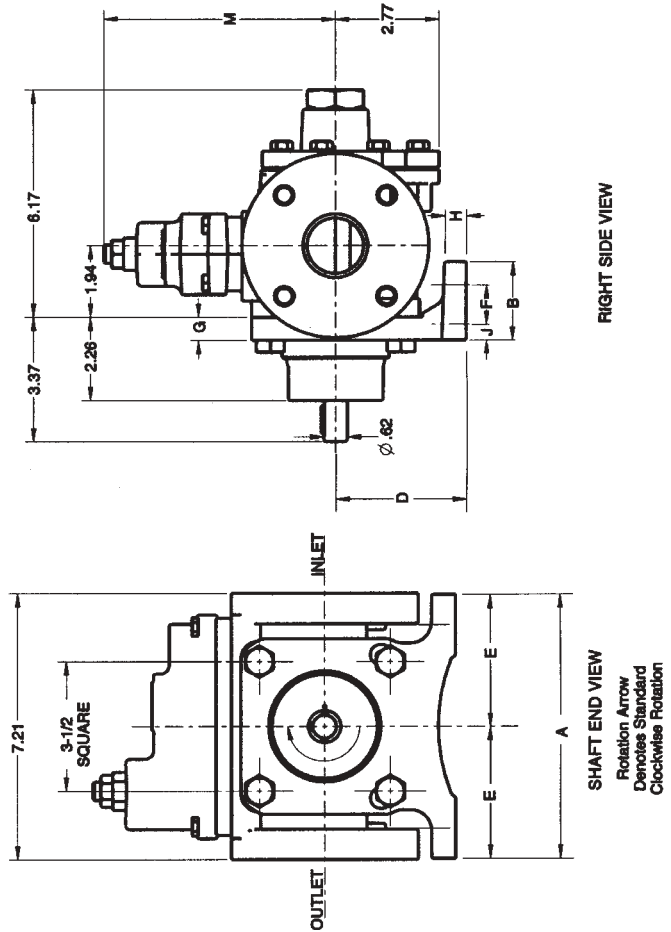
**Z213S Bracket  
Stainless Universal Pump**

Footed Bracket Base Mounting for 10-20 GPM Stainless Steel Height Pumps

Pump	WITH R.V.	W/O R.V.	M (URS)	M (US)
10URS	10US			
15URS	15US	2-29/32		6-7/32
20URS	20US			

Bracket

SIZE	D	A	B	E	F	H	G	J
H140	3-1/2	7	2-1/8	2-3/4	0	1/2	5/8	1-1/2
H182	4-1/2	9	3-1/2	3-3/4	1-7/8	1/2	3/4	7/8
H213	5-1/4	10	3-1/2	4-1/4	1-7/8	1/2	3/4	7/8
H254	6-1/4	12-1/8	4-5/8	5	1-1/2	11/16	3/4	1-1/16



**S1040 Outboard Bearing Bracket  
Stainless Universal Pump**

S1040 Outboard Bearing Bracket for 10-40 GPM Haight Pumps

Pump	O
10US	2-29/32
10URS	6-7/32
15US	2-29/32
15URS	6-7/32
20US	2-29/32
20URS	6-7/32

