

**US SERIES STAINLESS STEEL
ROTARY GEAR PUMPS
SIZES 6, 7, 8, 9, 10, 15 & 20 gpm**

Haight® Pump in continuing a 70 year old tradition of supplying our customers with rugged, reliable, and innovative pumps is pleased to offer pumps in Stainless Steel. We've combined our versatile *DIU Ductile Iron Universal Series* pump design with stainless steel and corrosion resistant materials to meet the needs of our customers ever changing process systems.

Key Features:

- “Gear within a Gear” design for quiet operation
- built in gear reduction, fully supported, through-shaft design, utilizes standard motor speeds
- *UniverSeal* built in shaft seal flexibility
- only two moving parts reduces maintenance and wear
- closed coupled or foot mounted bracket designs
- readily accepts magnetic drive option
- inlet/outlet ports accept 1”, 1.25” and 1.5” NPT and 150# flange connections
- 250 PSI discharge pressure capability
- Non-Metallic Rotor eliminates galling problems, even with thin fluids including water
- integral relief valve with “No Leak” adjustment, and tank return operation capability

Standard Construction Features:

- 316L, (CF3M) Stainless Steel housing for maximum corrosion resistance
- Waukesha 88 pinion gear and 440C hardened, polished shaft assembly
- Delrin® AF rotor gear
- carbon graphite shaft sleeve bearings
- Viton® elastomers

Options:

- Alternate shaft seal and o-ring elastomer materials – Neoprene, Silicone, Teflon or Kalrez®
- PTFE Teflon rotor gear
- Teflon or Vespel shaft sleeve bearings
- 316L integral relief valve up to 230PSI
- magnetic drive and barrier seal available on all models

Additional Brackets for closed coupled mountings are available for motor frames up to 256TC. See “Mounting Options” on our website www.haightpump.com.

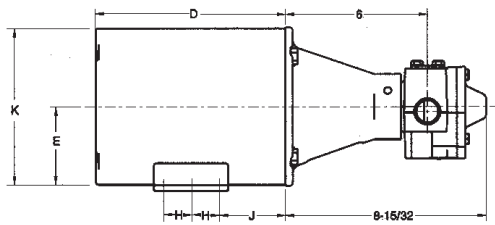
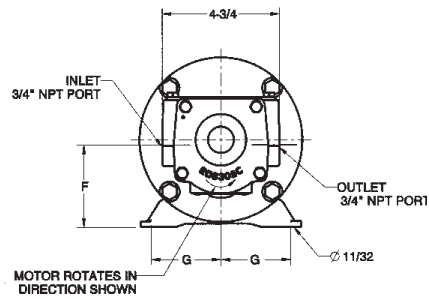


Applications:

- Chemical Processing
- Pharmaceutical
- Wastewater Treatment • Textile
- Plastic
- Tanning • Soap • Rubber
- Photographic
- Plating • Injection and Transfer of acidic, corrosive fluids and solvents.

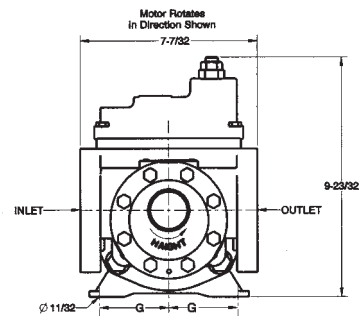
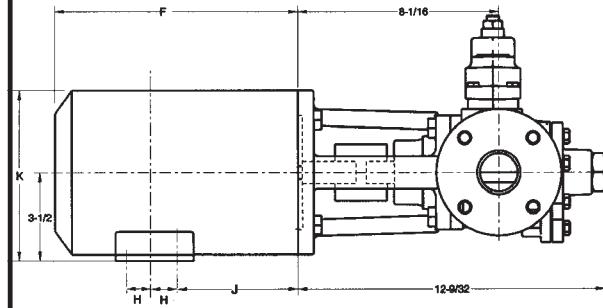
Z56RO Bracket for 6-9 GPM Universal Stainless Series Round Hub Pumps

Frame	D	E	F	G	H	J	K
48	9-3/8	3	2-13/16	2-1/8	1-3/8	2-5/16	5-13/16
56	9-3/4	3-1/2	3-5/16	2-7/16	1-1/2	2-9/16	6-3/4



Z56SO Bracket For 10-40 GPM Square Flanged Pumps

Frame	F	G	H	J	K
56	9-3/4	2-7/16	1-1/2	2-9/16	6-3/4
143	10	2-3/4	2-1/2	2-3/4	6-13/16



Additional Brackets for closed coupled mountings are available for motor frames up to 256TC. See "Mounting Options" on our website www.hahtpump.com.

