

**DIU SERIES SQUARE FLANGE
ROTARY GEAR PUMPS
SIZES 10, 15, 20, 24, 30 & 40 gpm**

Haight offers six sizes of pumps in the square flange DIU-Series. All sizes are available with a bolt-on Relief Valve which can function in either a return to suction, or return to tank mode. All DIU-Series pumps are interchangeable with earlier D & DR Series pumps

Compact, rugged, and easy to maintain, these pumps are ideally suited to close-coupled mounting to the motor or footed mounting. Haight Pumps bolt-on footed brackets match standard NEMA motor height, eliminating pump or motor shimming. Each bracket size is designed to align the pump and motor shaft heights without shim blocks.

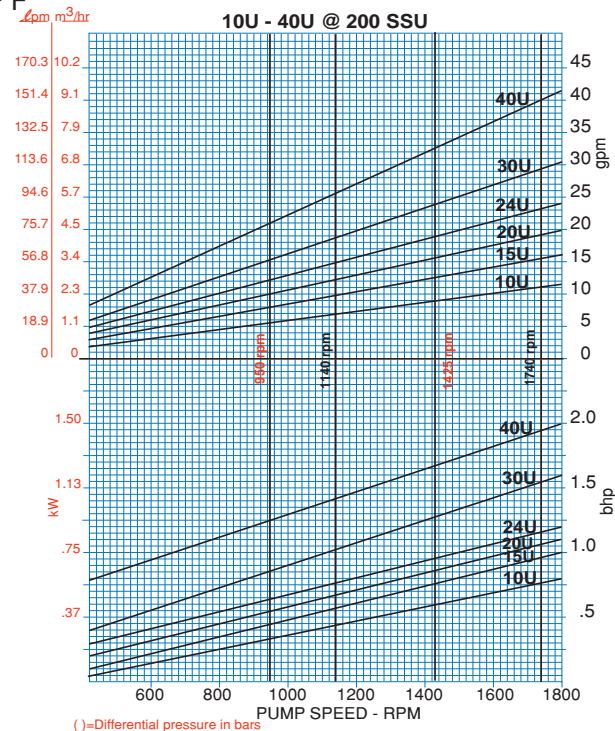
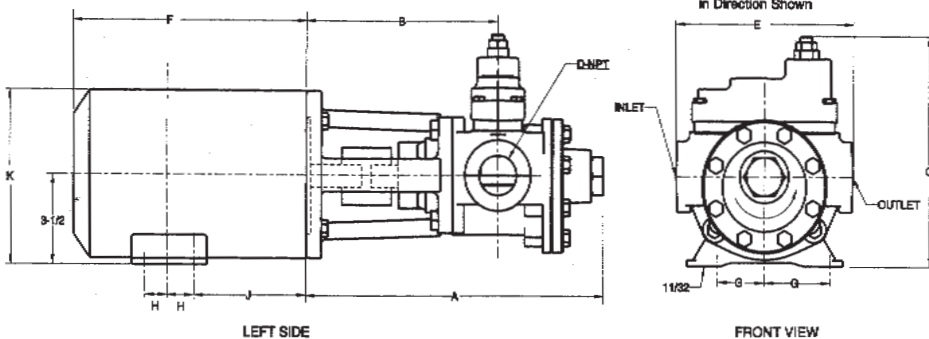


**All Series DIU Square Flange
Pumps feature**

- standard motor speeds, eliminating the need for pulleys or gear reducers.
- involute gear design to minimize noise.
- self-lubricating gramix iron bearings.
- easy to maintain Buna-N lip seals, installed in the UniverSeal design for simple and quick replacements or change to an alternate shaft seal type.
- optional mounting brackets which are designed for in-line mounting with standard NEMA frame size motors.
- *optional bearing and seal materials which allow effective operation up to 625° F and 600 psi. (*consult factory)
- simple field conversion on relief valve models to tank return mode.
- field reversible seal vent.

Z56SO Bracket for 10-40 gpm Square Flanged Pumps with 56-145 frame footed motor

Model	A	B	C	D	E	F	G	H	J	K
10U	12 ⁵ / ₁₆	8 ¹ / ₆	8 ³¹ / ₃₂	1	7					
15U	12 ⁵ / ₁₆	8 ¹ / ₆	8 ³¹ / ₃₂	1 ¹ / ₄	7					
20U	12 ⁵ / ₁₆	8 ¹ / ₆	8 ³¹ / ₃₂	1 ¹ / ₄	7					
24U	12 ⁷ / ₁₆	8 ¹ / ₃₂	8 ³¹ / ₃₂	1 ¹ / ₂	7 ³ / ₈					
30U	12 ⁷ / ₁₆	8 ¹ / ₃₂	8 ³¹ / ₃₂	1 ¹ / ₂	7 ³ / ₈					
40U	12 ⁷ / ₁₆	8 ¹ / ₃₂	8 ³¹ / ₃₂	1 ¹ / ₂	7 ³ / ₈					
Frame										
56						9 ³ / ₄	2 ⁷ / ₁₆	1 ¹ / ₂	2 ⁹ / ₁₆	6 ³ / ₄
143						10	2 ³ / ₄	2	2 ³ / ₄	6 ¹³ / ₁₆
145						10	2 ³ / ₄	2 ¹ / ₂	2 ³ / ₄	6 ¹³ / ₁₆



For more information contact:

Haight Pumps 133 Enterprise Street • Evansville, WI 53536 Phone: 800-871-9250 • Fax: 608-882-3777

Website: haightpump.com