

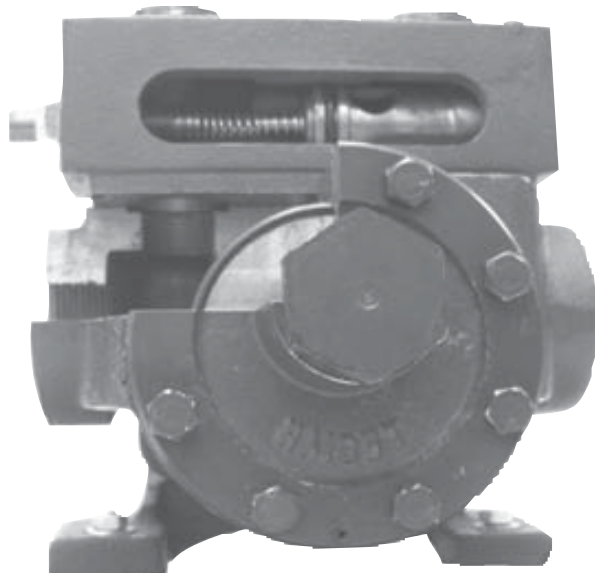


Baker Manufacturing Company
133 Enterprise Street
Evansville, WI 53536
Phone: (800) 871-9250
(608) 882-5100
Fax: (608) 882-3777

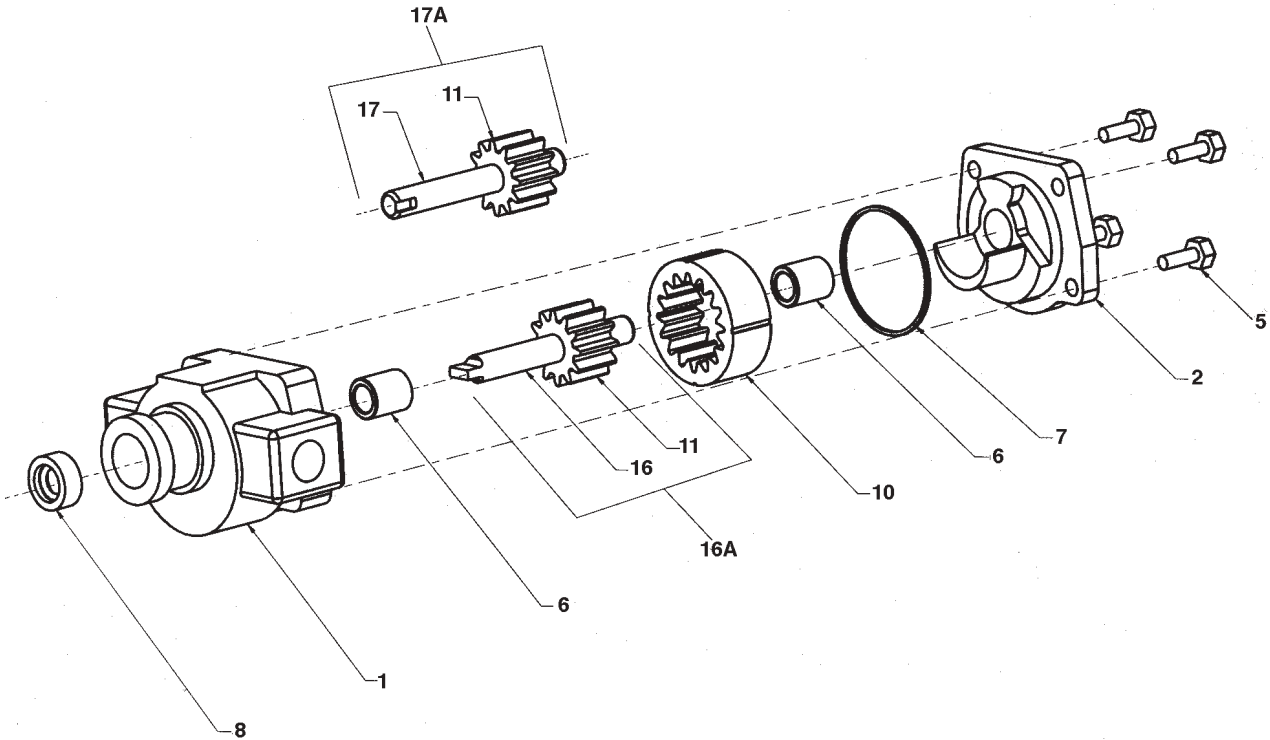
REPLACEMENT PARTS PRICE LIST

EFFECTIVE: FEBRUARY 15, 2005

Supersedes all previous Price Lists. Prices in effect at time of shipment will apply - subject to change without notice. All prices F.O.B. Evansville, Wisconsin

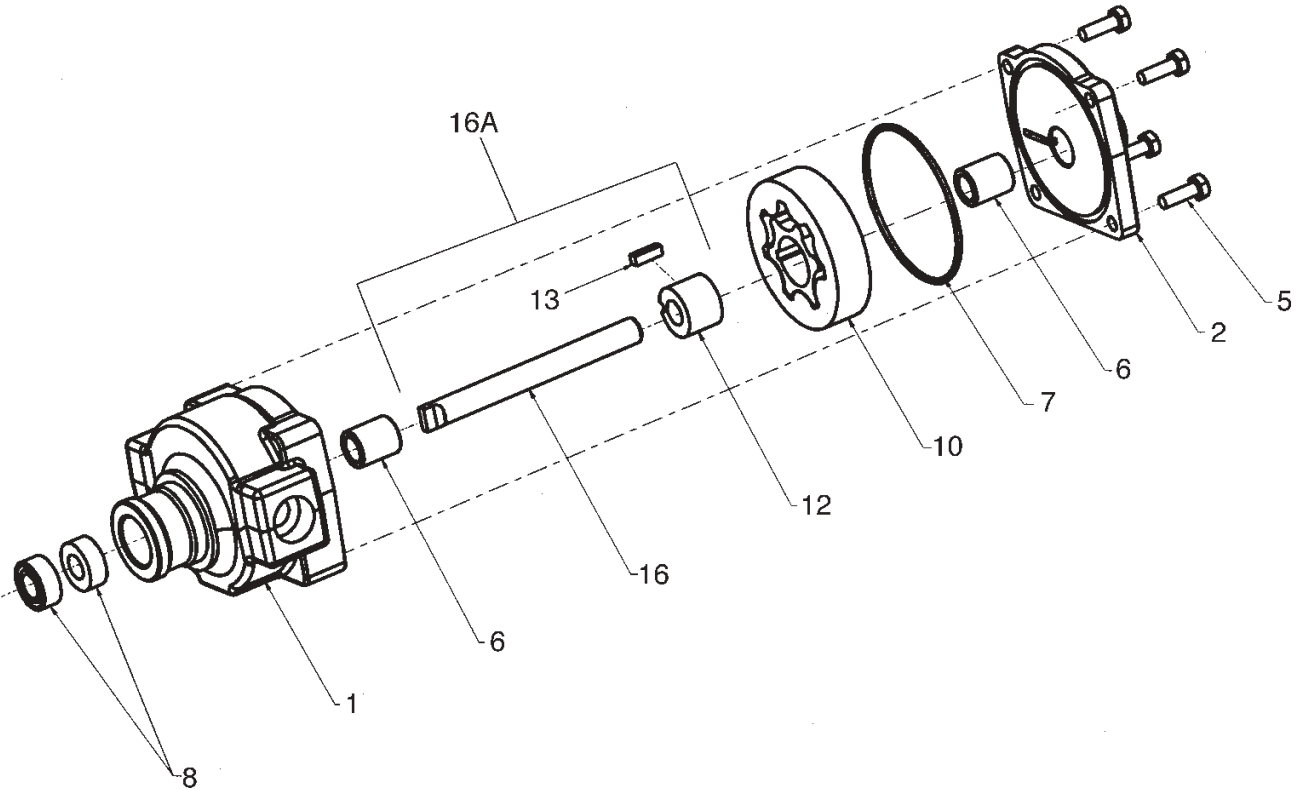


HAIGHT® 3E & 5E STANDARD "Hot Oil" PUMP REPLACEMENT PARTS



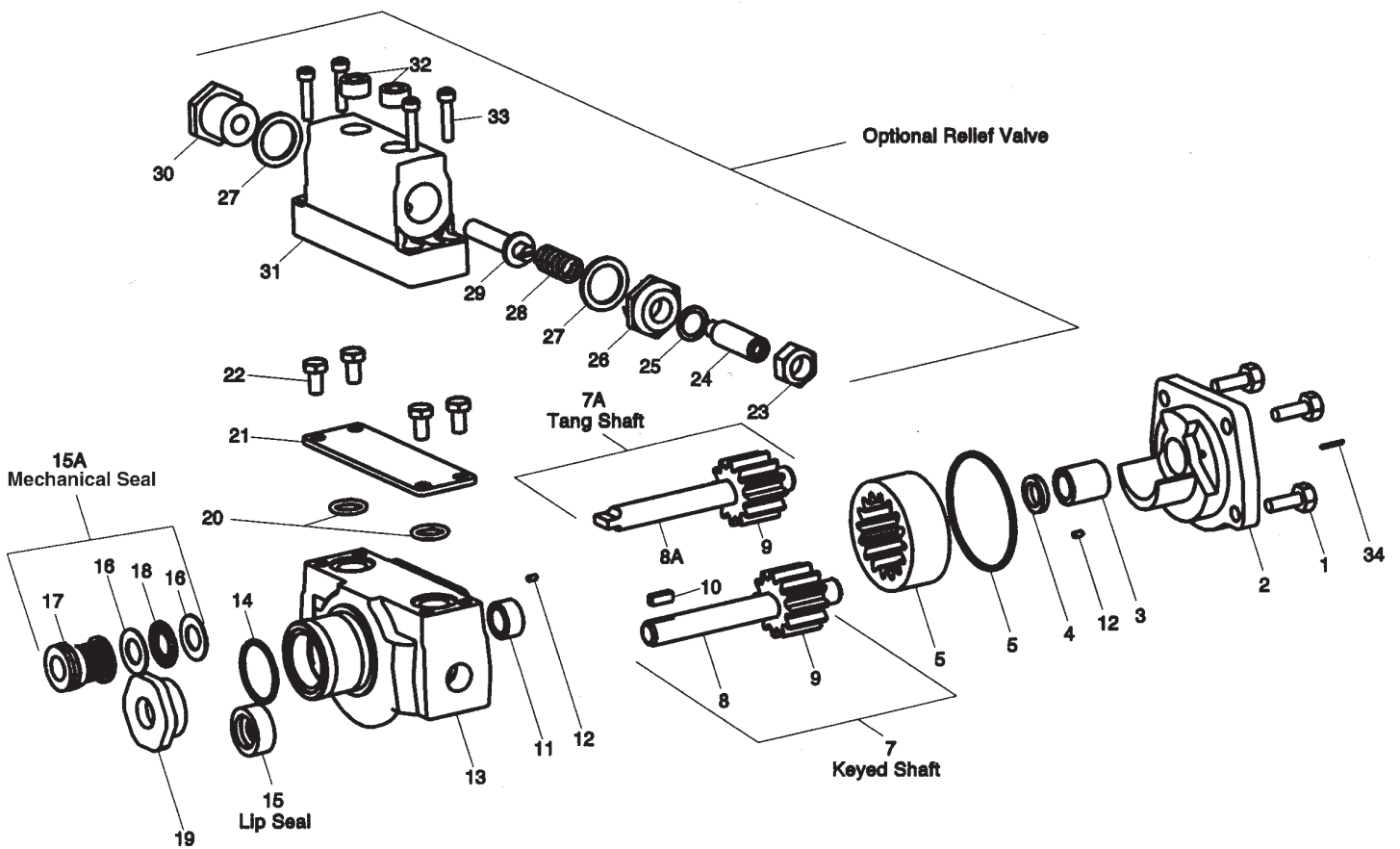
| Item Number | Description | Style | Part Number | Qty Required | List Price Ea. |
|-------------|--------------------------|---------|-------------|--------------|----------------|
| 1 | E style casing | 3E & 5E | ED53F5 | 1 | \$103.50 |
| 2 | 3E Cover | 3E | ED330F | 1 | 34.50 |
| | 5E Cover | 5E | ED530F | 1 | 34.50 |
| 5 | Cover Bolts | 3E & 5E | E90HC.7 | 4 | .50 |
| 6 | Bearing | 3E & 5E | E11F | 2 | 1.76 |
| 7 | Cover o-ring | 3E & 5E | E28V1 | 1 | 3.50 |
| 8 | Lip Seal | 3E & 5E | E18V | 1 | 8.00 |
| 10 | Rotor | 3E | D326F1 | 1 | 22.00 |
| 10 | Rotor | 5E | D526F1 | 1 | 23.00 |
| 11 | Pinion | 3E & 5E | N/A | 1 | |
| 13 | Screw | 3E & 5E | E46C | 2 | |
| 16 | Shaft - Tang | 3E & 5E | N/A | 1 | |
| 16A | Tang Shaft-Pinion Assy | 3E | ED3C13BC | 1 | 30.00 |
| 16A | Tang Shaft-Pinion Assy. | 5E | ED6C13BC | 1 | 32.00 |
| 17 | Keyed Shaft | 3E & 5E | N/A | 1 | |
| 17A | Keyed Shaft-Pinion Assy. | 3E | D3C13C | 1 | 30.00 |
| 17A | Keyed Shaft-Pinion Assy. | 5E | D5C13C | 1 | 32.00 |

**HAIGHT® 6G & 8G Hot Oil Gerotor Pump
 Replacement Parts**



| Item Number | Description | Style | Part Number | Qty Required | List Price Ea. |
|-------------|--------------------------|---------|-------------|--------------|----------------|
| 1 | G style casing | 6G | EG63F7D | 1 | \$46.00 |
| | | 8G | EG83F7A | 1 | 72.00 |
| 2 | 6G cover | 6G & 8G | EG830F | 1 | 32.00 |
| 5 | Cover bolts | 6G & 8G | E90HC.7 | 4 | .50 |
| 6 | Bearing | 6G & 8G | E11F | 2 | 1.76 |
| 7 | Cover o-ring | 6G & 8G | SE2151V76 | 1 | 2.00 |
| 8 | Lip Seal | 6G & 8G | E18V | 2 | 8.00 |
| 10 | Gerotor Set | 6G | HJ169A | 1 | 47.50 |
| | | 8G | HJ89A | 1 | 25.05 |
| 12 | Spacer | 6G & 8G | HJ80A | 1 | N/A |
| 13 | Key | 6G & 8G | F18C50 | 2 | N/A |
| 16 | Shaft-Tang | 6G | F18C50 | 1 | N/A |
| | | 8G | ED524BC | 1 | N/A |
| 16A | Shaft/Spacer/Key Assy | 6G | DU6C13BC | 1 | 68.00 |
| 16A | Tang Shaft-Pinion Assy. | 8G | DU8C13BC | 1 | 68.00 |
| 17 | Keyed Shaft | 8G | N/A | 1 | N/A |
| 17A | Keyed Shaft-Pinion Assy. | 8G | D5C13C | 1 | N/A |

1U through 5U HAIGHT® Pump with or without Relief Valve

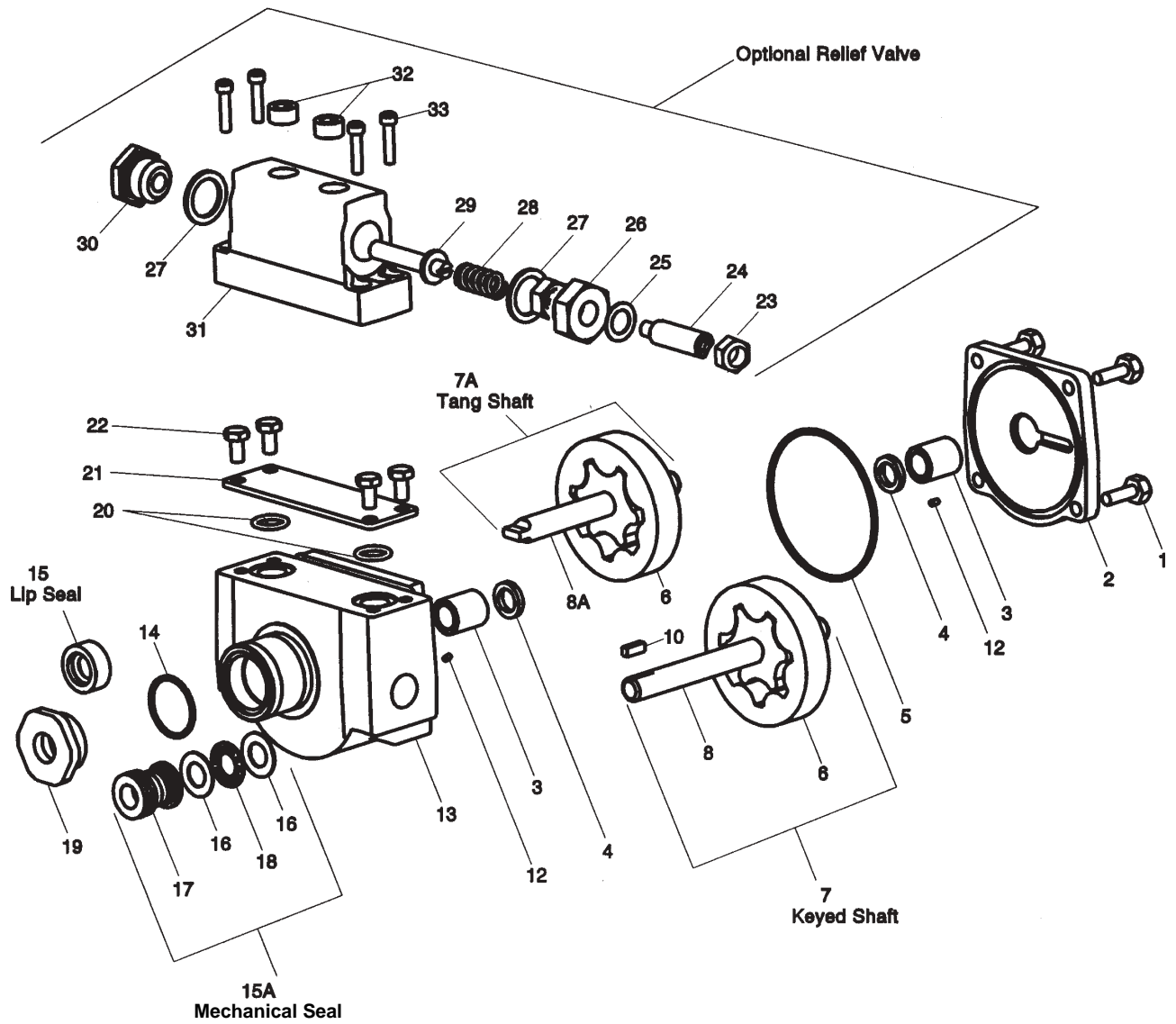


1U - 5U STANDARD PUMP REPLACEMENT PARTS

| Item Number | Description | Part Number | Qty Required | List Price Ea. | Item Number | Description | Part Number | Qty Required | List Price Ea. |
|-------------|---|-------------|--------------|----------------|-------------|--|-----------------|--------------|----------------|
| 1 | Screw-cover | E90HC.6 | 4 | \$.25 | 13 | Case 1/2" ports, D.I. | ED56A5 | 1 | 51.00 |
| 2 | Cover | | 1 | | | -Hatrided | ED56AH5 | | 61.00 |
| | 1U Standard | ED130A | | 25.00 | | -X-Hard | ED56AXH5 | | 82.00 |
| | -Hatrided | ED130AH | | 29.00 | | Case 3/4" ports, D.I. | ED56A7 | 1 | 51.00 |
| | -X-Hard | ED130AXH | | 59.00 | | -Hatrided | ED56AH7 | | 61.00 |
| | 3U Standard | ED330A | 1 | 27.00 | | -X-Hard | ED56AXH7 | | 82.00 |
| | -Hatrided | ED330AH | | 31.00 | 14 | O-ring Gland | | 1 | |
| | -X-Hard | ED330AXH | | 59.00 | | -Buna | E24SE | | 2.00 |
| | 5U Standard | ED530A | 1 | 27.00 | | -Viton® | E24SV | | 2.00 |
| | -Hatrided | ED530AH | | 31.00 | | -Neoprene | E24SN | | 2.00 |
| | -X-Hard | ED530AXH | | 59.00 | | -Teflon | E24ST | | 3.00 |
| 3 | Shaft bearing | | 1 | | | -Silicone | E24SZ | | 2.00 |
| | -Iron | E11F | | 1.00 | | -Kalraz | E24SK | | 111.00 |
| | -Bronze | E11B | | 3.00 | 15 | Lip Seal(See Seal Kits-Page 22) | | | |
| | -Carbon Graphite | E11G | | 68.00 | 15A | Mechanical T-21 Seal (See Seal Kits-Page 22) | | | |
| | -DU-Iron Sleeve | E11UFA | | 18.00 | 16 | Washer | E25C3 | 2 | 2.00 |
| 4 | Wiper Seal | | 1 | | 17 | Mechanical Seal (See Seal Kits-Page 22) | | | |
| | -Buna | E21E | | 5.00 | 18 | Thrust Bearing | E11TB2 | 1 | 4.00 |
| | -Viton® | E21V | | 8.00 | 19 | Gland | E22SS3F4 | 1 | 19.00 |
| | -Neoprene | E21N | | 10.00 | 20 | O-ring for cover/Relief Valve | | 2 | |
| 5 | O-Ring Cover | | 1 | | | -Buna | SE2018N70 | | 1.00 |
| | -Buna | E28E | | 1.00 | | -Neoprene | SE2018C70 | | 1.00 |
| | -Viton® | E28V1 | | 1.00 | | -Kalraz® | SE2018K75 | | 77.00 |
| | -Neoprene | E28N | | 1.00 | | -Teflon | SE2018J60 | | 2.00 |
| | -Teflon | E28T | | 4.00 | | -Silicone | SE2018S70 | | 1.00 |
| | -Silicone | E28Z | | 3.00 | | -Viton® | SE2018V76 | | 1.00 |
| | -Kalraz® | E28K | | 263.00 | 21 | Cover Plate | ED530CP | 1 | 7.00 |
| 6 | Rotor*-C.I. | | | | 22 | Screw-Cover Plate | E90HC.5 | 4 | .25 |
| | 1U Standard | D126F1 | | 26.00 | 23 | Locking Nut | E64C | 1 | 1.00 |
| | -Hatrided | D126H | | 29.00 | 24 | Adjustment Screw | E55C | 1 | 5.00 |
| | -X-Hard | D126XH | | 48.00 | 25 | Sealing Washer Std. | E68C | 1 | 1.00 |
| | -Teflon | D126T1 | | 173.00 | | -Buna | E25N1 | | 3.00 |
| | -Delrin | D126D1 | | 130.00 | | -Neoprene | E25C2 | | 1.00 |
| | -Open Clearance | D126NF | | 117.00 | | -Viton® | E25V1 | | 9.00 |
| | -Ni-Resist | D126N1 | | 520.00 | 26 | Bonnet | E57C | | 10.00 |
| | 3U Standard | D326F1 | | 18.00 | 27 | O-ring, Relief Valve | | 1 | |
| | -Hatrided | D326H | | 20.00 | | -Buna | SE2020N70 | | 1.00 |
| | -X-Hard | D326XH | | 52.00 | | -Neoprene | SE2020C70 | | 1.00 |
| | -Teflon | D326T1 | | 166.00 | | -Viton® | SE2020V76 | | 2.00 |
| | -Delrin | D326D1 | | 163.00 | | -Teflon | Consult Factory | | |
| | -Open Clearance | D326NF | | 112.00 | | -Silicone | Consult Factory | | |
| | -Ni-Resist | D326N1 | | 411.00 | | -Kalraz® | Consult Factory | | |
| | 5U Standard | D526F1 | | 18.00 | 28 | Spring Standard | E52S | 1 | 7.00 |
| | -Hatrided | D526H | | 20.00 | | -Heavy Duty | E52H | | 7.00 |
| | -X-Hard | D526XH | | 52.00 | 29 | Poppet | E51C | 1 | 4.00 |
| | -Teflon | D526T1 | | 165.00 | 30 | Cap | E50C | 1 | 4.00 |
| | -Delrin | D526D1 | | 185.00 | 31 | Relief Valve Body | ED55A | 1 | 49.00 |
| | -Open Clearance | D526NF | | 114.00 | 32 | Pipe Plug | ZA285 | 2 | 1.00 |
| | -Ni-Resist | D526N1 | | 424.00 | 33 | Screw, Valve Body | E90SC.8 | 4 | .25 |
| 7 | Shaft & Pinion Assembly | | | | 34 | Pin | E41C | 1 | .25 |
| | 1U | DU1C13PK | 1 | 36.00 | | | | | |
| | 3U | DU3C13PK | 1 | 37.00 | | | | | |
| | 5U | DU5C13PK | 1 | 38.00 | | | | | |
| 7A | Tanged Shaft & Pinion Assy. | | | | | | | | |
| | 1U | DU1C13BC | 1 | 36.00 | | | | | |
| | 3U | DU3C13BC | 1 | 37.00 | | | | | |
| | 5U | DU5C13BC | 1 | 38.00 | | | | | |
| 7B | Outboard Bearing Shaft & Pinion Assy. (Not shown) | | | | | | | | |
| | 1U | DU1C13LPK | 1 | 196.00 | | | | | |
| | 3U | DU3C13LPK | 1 | 201.00 | | | | | |
| | 5U | DU5C13LPK | 1 | 205.00 | | | | | |
| 8 | Shaft Keyed(Not sold separately) | | | | | | | | |
| 8A | Shaft-Tang(Not sold separately) | | | | | | | | |
| 9 | Pinion-Steel(Not sold separately) | | | | | | | | |
| 10 | Key 1/8 sq. x 1/2" Long | E13C50 | 1 | 1.00 | | | | | |
| 11 | Shaft Bearing | | 1 | | | | | | |
| | -Iron | E11F2 | | 1.00 | | | | | |
| | -Bronze | E11B2 | | 5.00 | | | | | |
| | -Carbon Graphite | E11G2 | | 43.00 | | | | | |
| | -Du-Iron Sleeve | E11UFA2 | | 39.00 | | | | | |
| 12 | Set Screw, Vent | E49F | 1 | .25 | | | | | |

Viton® and Kalraz® is a registered trademark of DuPont Dow Elastomers

6U & 8U HAIGHT® Pump with or without Relief Valve

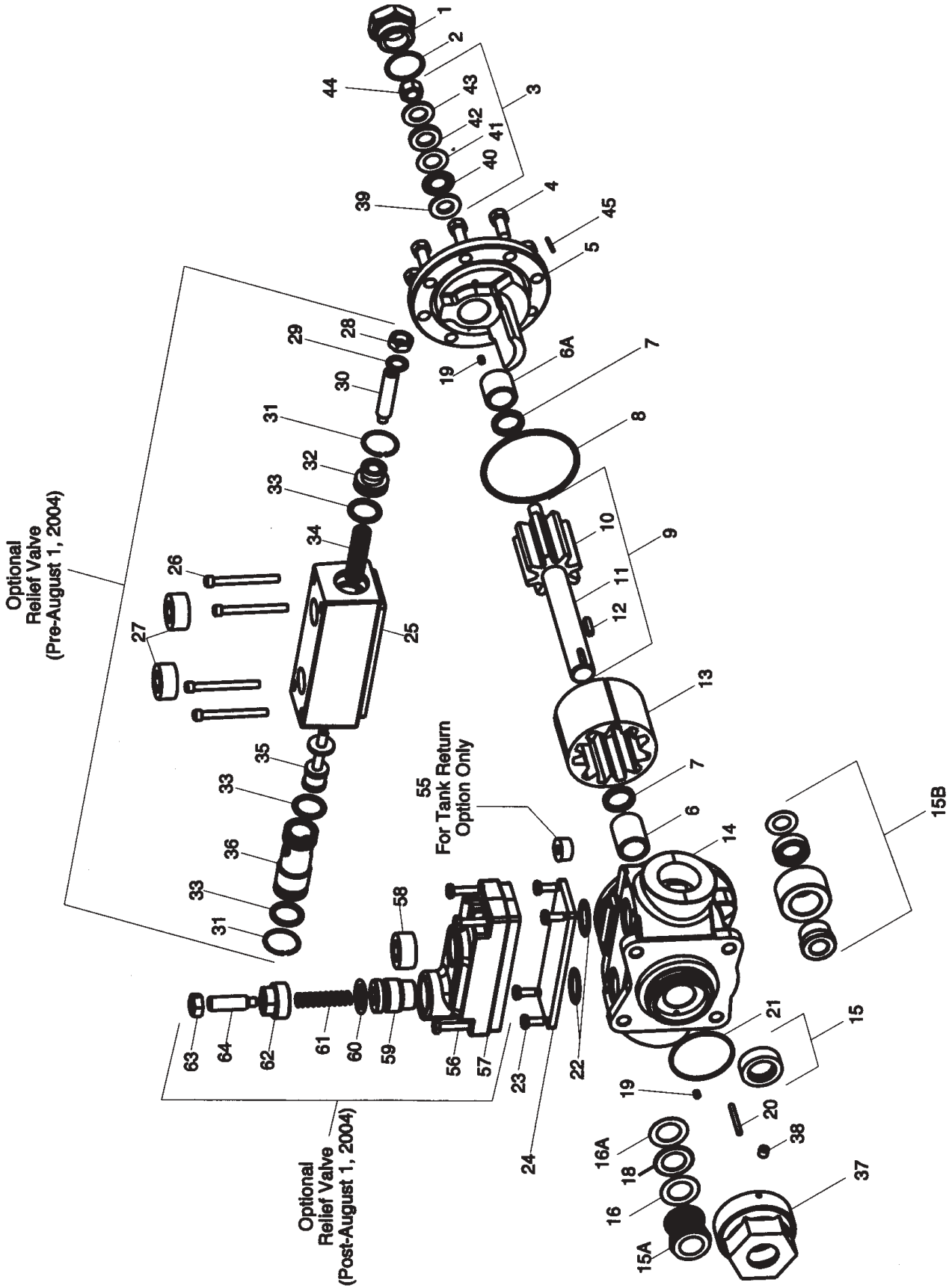


6U - 8U STANDARD PUMP REPLACEMENT PARTS

| Item No. | Description | Part Number | Qty Reqd. | List Price Ea. | Item No. | Description | Part Number | Qty Reqd. | List Price Ea. |
|----------|---|-------------|-----------|----------------|----------|----------------------|-------------|-----------|----------------|
| 1 | Screw-cover | E90HC.6 | 4 | \$1.00 | 21 | Cover Plate D.I. | ED530CP | 1 | 7.00 |
| 2 | Cover D.I. | EG830A | 1 | 41.00 | 22 | Screw, Cover Plate | E90HC.5 | 4 | .25 |
| 3 | Shaft bearing | | 2 | | 23 | Locking Nut | E64C | 1 | 1.00 |
| | -Iron | E11F | | 1.00 | 24 | Adjustment Screw | E55C | 1 | 5.00 |
| | -Bronze | E11B | | 3.00 | 25 | Sealing Washer | | 1 | |
| | -Carbon Graphite | E11G | | 68.00 | | -Buna | E25N1 | | 3.00 |
| | -DU-Iron Sleeve | E11UFA | | 18.00 | | -Neoprene | E25C2 | | 1.00 |
| 4 | Wiper Seal | | 1 | | | -Viton® | E25V1 | | 9.00 |
| | -Buna | E21E | | 5.00 | | Sealing Gasket | E68C | 1 | 1.00 |
| | -Viton® | E21V | | 8.00 | 26 | Bonnet | E57C | 1 | 10.00 |
| | -Neoprene | E21N | | 10.00 | 27 | O-ring, Relief Valve | | 2 | |
| 5 | O-Ring Cover | | 1 | | | -Buna | SE2020N70 | | 1.00 |
| | -Buna | SE2151N70 | | 1.00 | | -Neoprene | SE2200C70 | | 1.00 |
| | -Viton® | SE2151V76 | | 5.00 | | -Viton® | SE2020V76 | | 2.00 |
| | -Neoprene | SE2151C70 | | 4.00 | 28 | Spring-Std | E52S | 1 | 7.00 |
| | -Teflon | SE2151J60 | | 4.00 | | -Heavy Duty | E52H | | 7.00 |
| | -Kalraz® | SE2151K75 | | 427.00 | 29 | Poppet | E51C | 1 | 4.00 |
| | -Silicone | SE2151S70 | | 4.00 | 30 | Cap | E50C | 1 | 4.00 |
| 6 | Gerotor Set | | 1 | | 31 | Relief Valve Body | ED55A | 1 | 49.00 |
| | 6U Pump | | | | 32 | Pipe Plug | ZA285 | 2 | 1.00 |
| | -Keyed Shaft | HJ169A | | 48.00 | 33 | Screw, Valve Body | E90SC.8 | 4 | .25 |
| | 8U Pump | | | | | | | | |
| | -Keyed Shaft | HJ189A | | 48.00 | | | | | |
| 7 & 7A | Shaft & Gear Set Assembly | | 1 | | | | | | |
| | 6U Pump | | | | | | | | |
| | -Standard | DU6C13PK | | 77.00 | | | | | |
| | -Outboard Bearing | DU6C13LPK | | 111.00 | | | | | |
| | -Tang | DU6C13BC | | 68.00 | | | | | |
| | 8U Pump | | | | | | | | |
| | -Standard | DU8C13PK | | 77.00 | | | | | |
| | -Outboard Bearing | DU8C13LPK | | 111.00 | | | | | |
| | -Tang | DU8C13BC | | 68.00 | | | | | |
| 8 | Shaft-Keyed (Not sold separately) | | | | | | | | |
| 8A | Shaft-Tang (Not sold separately) | | | | | | | | |
| 10 | Key | E13C50 | 1 | 1.00 | | | | | |
| 12 | Set Screw, Vent | E49G | 1 | 1.00 | | | | | |
| 13 | Case 3/4" ports D.I. | | 1 | | | | | | |
| | 6U Pump | EG66A7 | | 117.00 | | | | | |
| | 8U Pump | EG86A7 | | 117.00 | | | | | |
| 14 | O-ring Gland | | 1 | | | | | | |
| | -Buna | E24SE | | 2.00 | | | | | |
| | -Viton® | E24SV | | 2.00 | | | | | |
| | -Neoprene | E24SN | | 2.00 | | | | | |
| | -Teflon | E24ST | | 3.00 | | | | | |
| | -Silicone | E24SZ | | 2.00 | | | | | |
| | -Kalraz® | E24SK | | 111.00 | | | | | |
| 15 | Lip Seal (See Seal Kits-Page 22) | | | | | | | | |
| 15A | Mechanical Seal Package (See Seal Kits-Page 22) | | | | | | | | |
| 16 | Washer | E25C3 | 1 | 2.00 | | | | | |
| 17 | Mechanical Seal (See Seal Kits-Page 22) | | | | | | | | |
| 18 | Thrust Bearing | E11TB2 | 1 | 4.00 | | | | | |
| 19 | Gland | E22SS3F4 | 1 | 19.00 | | | | | |
| 20 | O-Ring,Cover Plate or RV Body | | 2 | | | | | | |
| | -Buna | SE2018N70 | | 1.00 | | | | | |
| | -Neoprene | SE2018C70 | | 1.00 | | | | | |
| | -Kalraz® | SE2018K75 | | 77.00 | | | | | |
| | -Teflon | SE2018J60 | | 2.50 | | | | | |
| | -Silicone | SE2018S70 | | 1.00 | | | | | |
| | -Viton® | SE2018V76 | | 1.00 | | | | | |

Viton® and Kalraz® is a registered trademark of DuPont Dow Elastomers

10U through 40U HAIGHT® Pump with or without Relief Valve



10U - 20U STANDARD PUMP REPLACEMENT PARTS

| Item Number | Description | Part Number | Qty. Required | List Price Ea. | Item Number | Description | Part Number | Qty. Required | List Price Ea. |
|-------------|--------------------------|-------------|---------------|----------------|-------------|--|-------------|---------------|----------------|
| 1 | Screw on Plug | SAE16 | 1 | \$ 8.00 | 10 | Pinion (Not sold separately. Must order Item #9) | | | |
| 2 | O-Ring | | 1 | | 11 | Shaft (Not sold separately. Must order Item #9) | | | |
| | -Buna | SE3916N70 | | 1.00 | 12 | Drive Key 3/16 Sq x 3/4" L | F18C75 | 1 | 1.00 |
| | -Viton® | SE3916V76 | | 3.00 | 13 | Rotor | | | |
| | -Neoprene | SE3916C70 | | 2.00 | | 10U Standard C.I. | D1026F1 | 1 | 41.00 |
| | -Kalrez® | SE3916K75 | | 180.00 | | -Hatrided | D1026H | | 48.00 |
| | -Teflon | SE3916J60 | | 2.00 | | -X-Hard | D1026XH | | 74.00 |
| | -Silicone | SE3916S70 | | 2.00 | | -Delrin | D1026D1 | | 174.00 |
| 3 | Thrust Washer Kit | RRKT001 | 1 | 27.00 | | -Teflon | D1026T1 | | 248.00 |
| 4 | Screw | PC262 | 8 | .25 | | -Open Clearance | D1026NF | | 149.00 |
| 5 | Cover | | 1 | | | -Ni-Resist | D1026N1 | | 347.00 |
| | 10U D.I. | D1030A11 | | 73.00 | | 15U Standard C.I. | D1526F1 | 1 | 48.00 |
| | -Hatrided | D1030AH11 | | 90.00 | | -Hatrided | D1526H | | 55.00 |
| | -X-Hard | D1030AXH11 | | 106.00 | | -X-Hard | D1526XH | | 81.00 |
| | 15U D.I. | D1530A11 | | 92.00 | | -Delrin | D1526D1 | | 227.00 |
| | -Hatrided | D1530AH11 | | 108.00 | | -Teflon | D1526T1 | | 364.00 |
| | -X-Hard | D1530AXH11 | | 126.00 | | -Open Clearance | D1526NF | | 197.00 |
| | 20U D.I. | D2030A11 | | 102.00 | | -Ni-Resist | D1526N1 | | 262.00 |
| | -Hatrided | D2030AH11 | | 117.00 | | 20U Standard C.I. | D2026F1 | 1 | 52.00 |
| | -X-Hard | D2030AXH11 | | 137.00 | | -Hatrided | D2026H | | 59.00 |
| 6&6A | Bearing | | 2 | | | -X-Hard | D2026XH | | 88.00 |
| | -Iron | F11F | | 2.00 | | -Delrin | D2026D1 | | 279.00 |
| | -Bronze | F11B | | 4.00 | | -Teflon | D2026T1 | | 406.00 |
| | -Graphite | F11G | | 79.00 | | -Open Clearance | D2026NF | | 214.00 |
| | -DU | F11UBA | | 47.00 | | -Ni-Resist | D2026N1 | | 282.00 |
| 7 | Wiper Seal | | 2 | | 14 | Case D.I. | | 1 | |
| | -Buna | F21E | | 5.00 | | -1" ports | D203A11K | | 178.00 |
| | -Neoprene | F21N | | 10.00 | | -1-1/4" ports | D203A11L | | 178.00 |
| | -Viton® | F21V | | 19.00 | | -1-1/2" ports | D203A11M | | 206.00 |
| 8 | O-Ring-Cover | | 1 | | | Case D.I.-Hatrided | | 1 | |
| | -Buna | F28E | | 1.00 | | -1" ports | D203AH11K | | 218.00 |
| | -Viton® | F28V | | 3.00 | | -1-1/4" ports | D203AH11L | | 218.00 |
| | -Neoprene | F28N | | 2.00 | | -1-1/2" ports | D203AH11M | | 246.00 |
| | -Kalrez® | F28K | | 517.00 | | Case D.I.- X-Hard | | 1 | |
| | -Teflon | F28T | | 5.00 | | -1" ports | D203AXH11K | | 250.00 |
| | -Silicone | F28Z | | 9.00 | | -1-1/4" ports | D203AXH11L | | 250.00 |
| 9 | Shaft & Pinion Assy-std. | | | | | -1-1/2" ports | D203AXH11M | | 278.00 |
| | 10U Standard | DU10C13MC3 | 1 | 75.00 | 15 | Lip Seal (See Seal Kits-Page 22) | | | |
| | -OBB Shaft | DU10C13MC4 | | 297.00 | 15A | Mechanical Seal (See Seal Kits-Page 22) | | | |
| | -Hatrided Pinion | DU10C13MH3 | | 83.00 | 15B | Packing Seal (See Seal Kits-Page 22) | | | |
| | -Hatrided/OBB Shaft | DU10C13MH4 | | 298.00 | 16 | Washer | F25C3 | 1 | 2.00 |
| | -X-Hard | DU10C13MX3 | | 116.00 | 16A | Washer | F25C2 | 1 | 4.00 |
| | -X-Hard/OBB Shaft | DU10C13MX4 | | 330.00 | 17 | Shaft Seal (See Seal Kits) | | | |
| | -Open Clearance | DU10C13MO3 | | 152.00 | 18 | Thrust Bearing | F11TB2 | 1 | 4.00 |
| | -Open Clearance/OBB | DU10C13MO4 | | 367.00 | 19 | Set Screw, Vent | E49E | 1 | 1.00 |
| | 15U Standard | DU15C13MC3 | 1 | 80.00 | 20 | Pin | F43C1 | 1 | 1.00 |
| | -OBB Shaft | DU15C13MC4 | | 312.00 | 21 | O-Ring, Gland | | 1 | |
| | -Hatrided Pinion | DU15C13MH3 | | 85.00 | | -Buna | SE2137N70 | | 1.00 |
| | -Hatrided/OBB Shaft | DU15C13MH4 | | 314.00 | | -Viton® | SE2137V76 | | 6.00 |
| | -X-Hard | DU15C13MX3 | | 117.00 | | -Neoprene | SE2137C70 | | 1.00 |
| | -X-Hard/OBB Shaft | DU15C13MX4 | | 332.00 | | -Silicone | SE2137S70 | | 2.00 |
| | -Open Clearance | DU15C13MO3 | | 155.00 | | -Kalraz® | SE2137K75 | | 285.00 |
| | -Open Clearance/OBB | DU15C13MO4 | | 370.00 | | -Teflon | SE2137J60 | | 4.00 |
| | 20U Standard | DU20C13MC3 | 1 | 85.00 | 22 | O-Ring, Cover Plate, Valve Body | | 2 | |
| | -OBB Shaft | DU20C13MC4 | | 314.00 | | -Buna | SE2122N70 | | 1.00 |
| | -Hatrided Pinion | DU20C13MH3 | | 91.00 | | -Viton® | SE2122V76 | | 2.00 |
| | -Hatrided/OBB Shaft | DU20C13MH4 | | 318.00 | | -Neoprene | SE2122C70 | | 1.00 |
| | -X-Hard | DU20C13MX3 | | 117.00 | | -Teflon | SE2122J60 | | 2.00 |
| | -X-Hard/OBB Shat | DU20C13MX4 | | 332.00 | | -Silicone | SE2122S70 | | 2.00 |
| | -Open Clearance | DU20C13MO3 | | 155.00 | | -Kalraz® | SE2122K75 | | 139.00 |
| | -Open Clearance/OBB | DU20C13MO4 | | 370.00 | | | | | |

Viton® and Kalrez® is a registered trademark of DuPont Dow Elastomers

10U - 20U STANDARD PUMP REPLACEMENT PARTS

| Item Number | Description | Part Number | Qty. Required | List Price Ea. |
|-------------|--|-------------|---------------|----------------|
| 23 | Screw, Cover Plate | E90HC.6 | 4 | .25 |
| 24 | Cover Plate D.I. | D1030CP | 1 | 11.00 |
| 25 | Valve Body | FD55A | 1 | 63.00 |
| 26 | Screw, Valve Body | E90SC2.5 | 4 | 1.00 |
| 27 | Pipe Plug | F65C | 2 | 2.00 |
| 28 | Lock Nut | E64C | 1 | 1.00 |
| 29 | Washer | | 1 | |
| | -Steel | E68C | | 1.00 |
| | -Teflon | E68T | | 2.00 |
| | Optional HP/vacuum thread sealing gasket | | 1 | |
| | -Buna | E25N1 | | 3.00 |
| | -Neoprene | E25C2 | | 1.00 |
| | -Viton® | E25V1 | | 16.00 |
| | -Silicone | E25S1 | | 1.00 |
| 30 | Adjustment screw | F55C | 1 | 7.00 |
| 31 | Retaining ring | F59C | 2 | 1.00 |
| 32 | Bonnet | F57C | 1 | 10.00 |
| 33 | O-ring, Valve-Buna | F56E | 3 | 1.00 |
| | -Neoprene | F56N | | 2.00 |
| | -Viton® | F56V | | 2.00 |
| | -Teflon | F56T | | 2.00 |
| | -Silicone | F56Z | | 1.00 |
| 34 | Spring-Std | H52S | 1 | 12.00 |
| | -Heavy duty | H52C | | 12.00 |
| | -Light duty | H52D | | 12.00 |
| 35 | Poppet | F51C | 1 | 17.00 |
| 36 | Cage | H50C | 1 | 21.00 |
| 37 | Gland | F22SS2A | 1 | 29.00 |
| 38 | Set Screw, Gland | E49D | 1 | 2.00 |
| 39 | Washer | F25C2 | 1 | 4.00 |
| 40 | Thrust Bearing | F11TB2 | 1 | 4.00 |
| 41 | Washer | F25C3 | 1 | 2.00 |
| 42 | Spherical Washer | F25C5 | 1 | 10.00 |
| 43 | Spherical Washer | F25C4 | 1 | 6.00 |
| 44 | Nut | ZA532A | 1 | 1.00 |
| 45 | Pin | F41C | 1 | 1.00 |
| 55 | Pipe Plug 3/4" NPT | DP20 | 1 | 1.00 |
| 56 | Screw | E90HC1.2 | 4 | 1.00 |
| 57 | Valve Body | FD55SA | 1 | 56.00 |
| 58 | Pipe Plug | F65C | 1 | 1.00 |
| 59 | Piston | RVP05 | 1 | 16.00 |
| 60 | O-Ring | | 1 | |
| | Buna | F92B | 1 | 2.00 |
| | Neoprene | F92N | 1 | 2.00 |
| | Viton | F92V | 1 | 2.00 |
| | Silicone | F92Z | 1 | 3.00 |
| 61 | Spring | | | |
| | 20-40 psi | H52L | 1 | 4.00 |
| | 50-80 psi | H52M | 1 | 8.00 |
| | 90-130 psi | H52N | 1 | 3.00 |
| | 170-220 psi | H52P | 1 | 8.00 |
| 62 | Bonnet | F56A | 1 | 21.00 |
| 63 | Nut | E64JN | 1 | 1.00 |
| 64 | Adjustment Screw | F55C | 1 | 7.00 |

Viton® and Kalrez® is a registered trademark of DuPont Dow Elastomers

24U - 40U STANDARD PUMP REPLACEMENT PARTS

| Item No. | Description | Part Number | Qty Reqd. | List Price Ea. | Item No. | Description | Part Number | Qty Reqd. | List Price Ea. |
|----------|------------------------------|-------------|-----------|----------------|----------|--|-------------|-----------|----------------|
| 1 | Screw on Plug | SAE16 | 1 | \$ 8.00 | | -Open Clearance | DU30C13MO7 | | 260.00 |
| 2 | O-Ring | | 1 | | | -Open Clearance/OBB | DU30C13MO8 | | 311.00 |
| | -Buna | SE3916N70 | | 1.00 | | 40U Standard | DU40C13MC7 | 1 | 162.00 |
| | -Viton® | SE3916V76 | | 3.00 | | -OBB shaft | DU40C13MC8 | | 292.00 |
| | -Neoprene | SE3916C70 | | 2.00 | | -Hatrided Pinion | DU40C13MH7 | | 167.00 |
| | -Kalrez® | SE3916K75 | | 180.00 | | -Hatrided/OBB shaft | DU40C13MH8 | | 295.00 |
| | -Teflon | SE3916J60 | | 2.00 | | -X-Hard | DU40C13MX7 | | 198.00 |
| | -Silicone | SE3916S70 | | 2.00 | | -X-Hard/OBB shaft | DU40C13MX8 | | 250.00 |
| 3 | Thrust Washer Kit | RRKT001 | 1 | 27.00 | | -Open Clearance | DU40C13MO7 | | 274.00 |
| 4 | Screw | KR364 | 8 | .25 | | -Open Clearance/OBB | DU40C13MO8 | | 326.00 |
| 5 | Cover | | 1 | | 10 | Pinion (Not sold separately. Must order Item #9) | | | |
| | 24U D.I. | D2230A11 | | 85.00 | 11 | Shaft (Not sold separately. Must order Item #9) | | | |
| | -Hatrided | D2230AH11 | | 99.00 | 12 | Drive Key 3/16 Sq x 3/4" L | F18C75 | 1 | 1.00 |
| | -X-Hard | D2230AXH11 | | 118.00 | 13 | Rotor | | | |
| | 30U D.I. | D3030A11 | | 108.00 | | 24U Standard C.I. | D2226F11 | 1 | 37.00 |
| | -Hatrided | D3030AH11 | | 121.00 | | -Hatrided | D2226H | | 41.00 |
| | -X-Hard | D3030AXH11 | | 142.00 | | -X-Hard | D2226XH | | 70.00 |
| | 40U D.I. | D4030A11 | | 122.00 | | -Delrin | D2226D1 | | 254.00 |
| | -Hatrided | D4030AH11 | | 135.00 | | -Teflon | D2226T1 | | 456.00 |
| | -X-Hard | D4030AXH11 | | 156.00 | | -Open Clearance | D2226NF | | 172.00 |
| 6 & 6A | Bearing 24U & 30U | | 2 | | | -Ni-Resist | D2226N1 | | 469.00 |
| | -Iron | H11F | | 3.00 | | 30U Standard C.I. | D3026F1 | 1 | 41.00 |
| | -Bronze | H11B | | 7.00 | | -Hatrided | D3026H | | 46.00 |
| | -Graphite | H11G | | 81.00 | | -X-Hard | D3026XH | | 74.00 |
| | -DU | H11UBA | | 37.00 | | -Delrin | D3026D1 | | 258.00 |
| 6 | Bearing 40U | | | | | -Teflon | D3026T1 | | 527.00 |
| | -Iron | H11F10 | 1 | 10.00 | | -Open Clearance | D3026NF | | 177.00 |
| | -Bronze | H11B10 | 1 | 8.00 | | -Ni-Resist | D3026N1 | | 502.00 |
| | -Graphite | H11G10 | 1 | 120.00 | | 40U Standard C.I. | D4026F1 | 1 | 42.00 |
| 6&6A | Bearing 40U | | | | | -Hatrided | D4026H | | 50.00 |
| | -Iron | H11F | 1 | 3.00 | | -X-Hard | D4026XH | | 76.00 |
| | -Bronze | H11B | 1 | 7.00 | | -Delrin | D4026D1 | | 267.00 |
| | -Graphite | H11G | 1 | 81.00 | | -Teflon | D4026T1 | | 354.00 |
| | -DU | H11UBA | 2 | 37.00 | | -Open Clearance | D4026NF | | 194.00 |
| 7 | Wiper Seal | | 2 | | | -Ni-Resist | D4026N1 | | 534.00 |
| | -Buna | H21E | | 6.00 | 14 | Case D.I. | | 1 | |
| | -Neoprene | H21N | | 10.00 | | -1" ports | D403A11K | | 226.00 |
| | -Viton® | H21V | | 14.00 | | -1-1/4" ports | D403A11L | | 226.00 |
| 8 | O-Ring-Cover | | 1 | | | -1-1/2" ports | D403A11M | | 226.00 |
| | -Buna | H28E | | 2.00 | | Case D.I.-Hatrided | | 1 | |
| | -Viton® | H28V | | 3.00 | | -1" ports | D403AH11K | | 279.00 |
| | -Neoprene | H28N | | 3.00 | | -1-1/4" ports | D403AH11L | | 279.00 |
| | -Kalrez® | H28K | | 593.00 | | -1-1/2" ports | D403AH11M | | 279.00 |
| | -Teflon | H28T | | 8.00 | | Case D.I.- X-Hard | | 1 | |
| | -Silicone | H28Z | | 12.00 | | -1" ports | D403AXH11K | | 279.00 |
| 9 | Shaft & Pinion Assy-std. | | | | | -1-1/4" ports | D403AXH11L | | 279.00 |
| | 24U Standard | DU22C13MC7 | 1 | 134.00 | | -1-1/2" ports | D403AXH11M | | 279.00 |
| | -OBB shaft | DU22C13MC8 | | 264.00 | 15 | Lip Seal (See Seal Kit-Page 22) | | | |
| | -Hatrided Pinion | DU22C13MH7 | | 136.00 | 15A | Mechanical Seal (See Seal Kits-Page 22) | | | |
| | -Hatrided/OBB shaft | DU22C13MH8 | | 266.00 | 15B | Packing Seal (See Seal Kits-Page 22) | | | |
| | -X-Hard | DU22C13MX7 | | 174.00 | 16 | Washer | F25C3 | 1 | 2.00 |
| | -X-Hard/OBB shaft | DU22C13MX8 | | 229.00 | 16A | Washer | F25C2 | 1 | 4.00 |
| | -Open Clearance | DU22C13MO7 | | 254.00 | 17 | Shaft Seal (See Seal Kits) | | | |
| | -Open Clearance/OBB | DU22C13MO8 | | 305.00 | 18 | Thrust Bearing | F11TB2 | 1 | 4.00 |
| | 30U Standard | DU30C13MC7 | 1 | 143.00 | 19 | Set Screw, Vent | E49E | 1 | 1.00 |
| | -OBB shaft | DU30C13MC8 | | 274.00 | 20 | Pin | F43C1 | 1 | 1.00 |
| | -Hatrided Pinion | DU30C13MH7 | | 146.00 | 21 | O-Ring, Gland | | 1 | |
| | -Hatrided/OBB shaft | DU30C13MH8 | | 276.00 | | -Buna | SE2137N70 | | 1.00 |
| | -X-Hard | DU30C13MX7 | | 183.00 | | -Viton® | SE2137V76 | | 6.00 |
| | -X-Hard/OBB shaft | DU30C13MX8 | | 235.00 | | -Neoprene | SE2137C70 | | 1.00 |

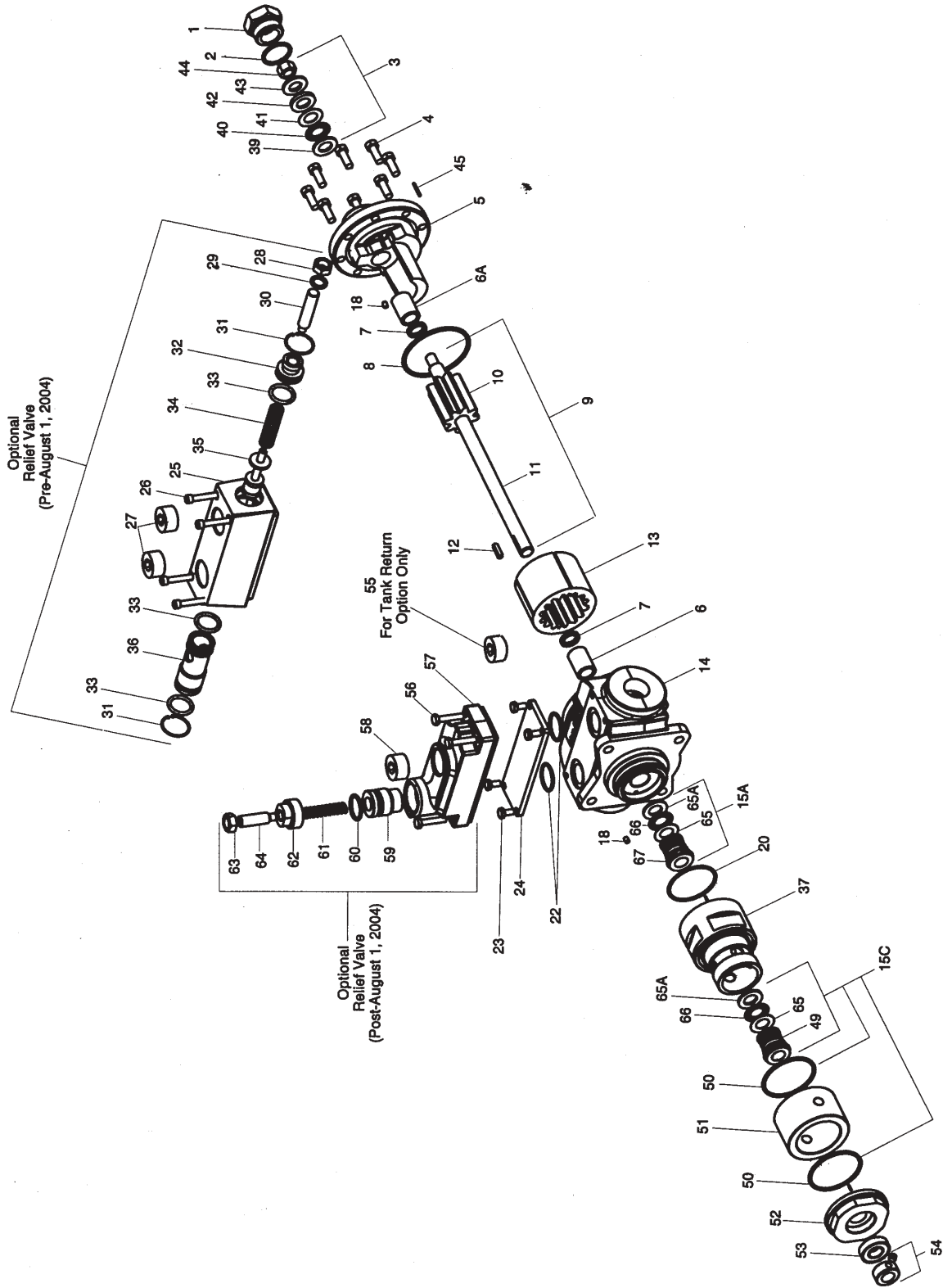
Viton® and Kalrez® is a registered trademark of DuPont Dow Elastomers

24 - 40U STANDARD PUMP REPLACEMENT PARTS

| Item Number | Description | Part Number | Qty. Required | List Price Ea. | Item Number | Description | Part Number | Qty. Required | List Price Ea. |
|-------------|--|-------------|---------------|----------------|-------------|------------------|-------------|---------------|----------------|
| | -Silicone | SE2137S70 | | 2.00 | 61 | Spring | | | |
| | -Kalraz® | SE2137K75 | | 139.00 | | 20-40 psi | H52L | 1 | 4.00 |
| | -Teflon | SE2137J60 | | 4.00 | | 50-80 psi | H52M | 1 | 8.00 |
| 22 | O-Ring, Cover Plate, Valve Body | | 2 | | | 90-130 psi | H52N | 1 | 3.00 |
| | -Buna | SE2122N70 | | 1.00 | | 170-220 psi | H52P | 1 | 8.00 |
| | -Viton® | SE2122V76 | | 2.00 | 62 | Bonnet | F56A | 1 | 21.00 |
| | -Neoprene | SE2122C70 | | 1.00 | 63 | Nut | E64JN | 1 | 1.00 |
| | -Teflon | SE2122J60 | | 2.00 | 64 | Adjustment Screw | F55C | 1 | 7.00 |
| | -Silicone | SE2122S70 | | 2.00 | | | | | |
| | -Kalraz® | SE2122K75 | | 139.00 | | | | | |
| 23 | Screw, Cover Plate | E90HC.6 | 4 | .25 | | | | | |
| 24 | Cover Plate D.I. | D1030CP | 1 | 11.00 | | | | | |
| 25 | Valve Body | FD55A | 1 | 63.00 | | | | | |
| 26 | Screw, Valve Body | E90SC2.5 | 4 | 1.00 | | | | | |
| 27 | Pipe Plug | F65C | 2 | 2.00 | | | | | |
| 28 | Lock Nut | E64C | 1 | 1.00 | | | | | |
| 29 | Washer | | 1 | | | | | | |
| | -Steel | E68C | | 1.00 | | | | | |
| | -Teflon | E68T | | 2.00 | | | | | |
| | Optional HP/vacuum thread sealing gasket | | 1 | | | | | | |
| | -Buna | E25N1 | | 3.00 | | | | | |
| | -Neoprene | E25C2 | | 1.00 | | | | | |
| | -Viton® | E25V1 | | 16.00 | | | | | |
| | -Silicone | E25S1 | | 1.00 | | | | | |
| 30 | Adjustment screw | F55C | 1 | 7.00 | | | | | |
| 31 | Retaining ring | F59C | 2 | 1.00 | | | | | |
| 32 | Bonnet | F57C | 1 | 10.00 | | | | | |
| 33 | O-ring, Valve-Buna | F56E | 3 | 1.00 | | | | | |
| | -Neoprene | F56N | | 2.00 | | | | | |
| | -Viton® | F56V | | 2.00 | | | | | |
| | -Teflon | F56T | | 2.00 | | | | | |
| | -Silicone | F56Z | | 1.00 | | | | | |
| 34 | Spring-Std | H52S | 1 | 12.00 | | | | | |
| | -Heavy duty | H52C | | 12.00 | | | | | |
| | -Light duty | H52D | | 12.00 | | | | | |
| 35 | Poppet | F51C | 1 | 17.00 | | | | | |
| 36 | Cage | H50C | 1 | 21.00 | | | | | |
| 37 | Gland | H22SS2A | 1 | 29.00 | | | | | |
| 38 | Set Screw, Gland | E49D | 1 | 2.00 | | | | | |
| 39 | Washer | F25C2 | 1 | 4.00 | | | | | |
| 40 | Thrust Bearing | F11TB2 | 1 | 4.00 | | | | | |
| 41 | Washer | F25C3 | 1 | 2.00 | | | | | |
| 42 | Spherical Washer | F25C5 | 1 | 10.00 | | | | | |
| 43 | Spherical Washer | F25C4 | 1 | 6.00 | | | | | |
| 44 | Nut | ZA532A | 1 | 1.00 | | | | | |
| 45 | Pin | F41C | 1 | 1.00 | | | | | |
| 55 | Pipe Plug 3/4" NPT | DP20 | 1 | 1.00 | | | | | |
| 56 | Screw | E90HC1.2 | 4 | 1.00 | | | | | |
| 57 | Valve Body | FD55SA | 1 | 56.00 | | | | | |
| 58 | Pipe Plug | F65C | 1 | 1.00 | | | | | |
| 59 | Piston | RVP05 | 1 | 16.00 | | | | | |
| 60 | O-Ring | | 1 | | | | | | |
| | Buna | F92B | 1 | 2.00 | | | | | |
| | Neoprene | F92N | 1 | 2.00 | | | | | |
| | Viton | F92V | 1 | 2.00 | | | | | |
| | Silicone | F92Z | 1 | 3.00 | | | | | |

Viton® and Kalrez® is a registered trademark of DuPont Dow Elastomers

**10U through 40U Barrier Seal HAIGHT® Pump
 with or without Relief Valve**



10U-20U BARRIER SEAL PUMP REPLACEMENT PARTS

| Item Number | Description | Part Number | Qty. Required | List Price Ea | Item Number | Description | Part Number | Qty. Required | List Price Ea |
|-------------|--|-------------|---------------|---------------|--------------------------|---|-------------|---------------|---------------|
| 1 | Screw on Plug | SAE16 | 1 | \$ 8.00 | 13 | Rotor | | | |
| 2 | O-Ring | | 1 | | 10U Standard C.I. | D1026F1 | 1 | 41.00 | |
| | -Buna | SE3916N70 | | 1.00 | -Hatrided | D1026H | | 48.00 | |
| | -Viton® | SE3916V76 | | 3.00 | -X-Hard | D1026XH | | 74.00 | |
| | -Neoprene | SE3916C70 | | 2.00 | -Delrin | D1026D1 | | 174.00 | |
| | -Kalrez® | SE3916K75 | | 180.00 | -Teflon | D1026T1 | | 248.00 | |
| | -Teflon | SE3916J60 | | 2.00 | -Open Clearance | D1026NF | | 149.00 | |
| | -Silicone | SE3916S70 | | 2.00 | -Ni-Resist | D1026N1 | | 347.00 | |
| 3 | Thrust Washer Kit | RRKT001 | 1 | 27.00 | 15U Standard C.I. | D1526F1 | 1 | 48.00 | |
| 4 | Screw | PC262 | 8 | .25 | -Hatrided | D1526H | | 55.00 | |
| 5 | Cover | | 1 | | -X-Hard | D1526XH | | 81.00 | |
| | 10U D.I. | D1030A11 | | 73.00 | -Delrin | D1526D1 | | 227.00 | |
| | -Hatrided | D1030AH11 | | 90.00 | -Teflon | D1526T1 | | 364.00 | |
| | -X-Hard | D1030AXH11 | | 106.00 | -Open Clearance | D1526NF | | 197.00 | |
| | 15U D.I. | D1530A11 | | 92.00 | -Ni-Resist | D1526N1 | | 262.00 | |
| | -Hatrided | D1530AH11 | | 108.00 | 20U Standard C.I. | D2026F1 | 1 | 52.00 | |
| | -X-Hard | D1530AXH11 | | 126.00 | -Hatrided | D2026H | | 59.00 | |
| | 20U D.I. | D2030A11 | | 102.00 | -X-Hard | D2026XH | | 88.00 | |
| | -Hatrided | D2030AH11 | | 117.00 | -Delrin | D2026D1 | | 279.00 | |
| | -X-Hard | D2030AXH11 | | 137.00 | -Teflon | D2026T1 | | 406.00 | |
| 6&6A | Bearing | | 2 | | -Open Clearance | D2026NF | | 214.00 | |
| | -Iron | F11F | | 2.00 | -Ni-Resist | D2026N1 | | 282.00 | |
| | -Bronze | F11B | | 4.00 | 14 | Case D.I. | | 1 | |
| | -Graphite | F11G | | 79.00 | -1" ports | D203A11K | | 178.00 | |
| | -DU | F11UBA | | 47.00 | -1-1/4" ports | D203A11L | | 178.00 | |
| 7 | Wiper Seal | | 2 | | -1-1/2" ports | D203A11M | | 206.00 | |
| | -Buna | F21E | | 5.00 | Case D.I.-Hatrided | | 1 | | |
| | -Neoprene | F21N | | 10.00 | -1" ports | D203AH11K | | 218.00 | |
| | -Viton® | F21V | | 19.00 | -1-1/4" ports | D203AH11L | | 218.00 | |
| 8 | O-Ring-Cover | | 1 | | -1-1/2" ports | D203AH11M | | 246.00 | |
| | -Buna | F28E | | 1.00 | Case D.I.- X-Hard | | 1 | | |
| | -Viton® | F28V | | 3.00 | -1" ports | D203AXH11K | | 250.00 | |
| | -Neoprene | F28N | | 2.00 | -1-1/4" ports | D203AXH11L | | 250.00 | |
| | -Kalrez® | F28K | | 517.00 | -1-1/2" ports | D203AXH11M | | 278.00 | |
| | -Teflon | F28T | | 5.00 | 15 | Lip Seal (See Seal Kits-Page 22) | | | |
| | -Silicone | F28Z | | 9.00 | 15A | Mechanical Seal (See Seal Kits-Page 22) | | | |
| 9 | Shaft & Pinion Assy-std. | | | | 15B | Packing Seal (See Seal Kits-Page 22) | | | |
| | 10U Standard | | 1 | | 16 | Washer | F25C3 | 1 | 2.00 |
| | -Outbrd Brg/Std. Pinion | DU10C13MC4 | | 297.00 | 16A | Washer | F25C2 | 1 | 4.00 |
| | -Hatrided Pinion/OBB | DU10C13MH4 | | 298.00 | 17 | Shaft Seal (See Seal Kits) | | | |
| | -X-Hard Pinion/OBB | DU10C13MX4 | | 330.00 | 18 | Thrust Bearing | F11TB2 | 1 | 4.00 |
| | -Open Clearance/OBB | DU10C13MO4 | | 367.00 | 19 | Set Screw, Vent | E49E | 1 | 1.00 |
| | 15U Standard | | 1 | | 20 | Pin | F43C1 | 1 | 1.00 |
| | -Outboard Bearing | DU15C13MC4 | | 312.00 | 21 | O-Ring, Gland | | 1 | |
| | -Hatrided Pinion/OBB | DU15C13MH4 | | 314.00 | -Buna | SE2137N70 | | 1.00 | |
| | -X-Hard Pinion/OBB | DU15C13MX4 | | 332.00 | -Viton® | SE2137V76 | | 6.00 | |
| | -Open Clearance/OBB | DU15C13MO4 | | 370.00 | -Neoprene | SE2137C70 | | 1.00 | |
| | 20U Standard | | 1 | | -Silicone | SE2137S70 | | 2.00 | |
| | -Outbrd Brg/Std. Pinion | DU20C13MC4 | | 314.00 | -Kalraz® | SE2137K75 | | 285.00 | |
| | -Hatrided Pinion/OBB | DU20C13MH4 | | 318.00 | -Teflon | SE2137J60 | | 4.00 | |
| | -X-Hard Pinion/OBB | DU20C13MX4 | | 332.00 | 22 | O-Ring, Cover Plate, Valve Body | | 2 | |
| | -Open Clearance/OBB | DU20C13MO4 | | 370.00 | -Buna | SE2122N70 | | 1.00 | |
| 10 | Pinion (Not sold separately. Must order Item #9) | | | | -Viton® | SE2122V76 | | 2.00 | |
| 11 | Shaft (Not sold separately. Must order Item #9) | | | | -Neoprene | SE2122C70 | | 1.00 | |
| 12 | Drive Key 3/16 Sq x 3/4" L F18C75 | | 1 | 1.00 | -Teflon | SE2122J60 | | 2.00 | |
| | | | | | -Silicone | SE2122S70 | | 2.00 | |
| | | | | | -Kalraz® | SE2122K75 | | 139.00 | |

Viton® and Kalraz® is a registered trademark of DuPont Dow Elastomers

10U-20U BARRIER SEAL PUMP REPLACEMENT PARTS

| Item Number | Description | Part Number | Qty. Required | List Price Ea. |
|-------------|--|-------------|---------------|----------------|
| 23 | Screw, Cover Plate | E90HC.6 | 4 | .25 |
| 24 | Cover Plate | D1030CP | 1 | 11.00 |
| 25 | Valve Body | FD55A | 1 | 63.00 |
| 26 | Screw, Valve Body | E90SC2.5 | 4 | 1.00 |
| 27 | Pipe Plug | F65C | 2 | 2.00 |
| 28 | Lock Nut | E64C | 1 | 1.00 |
| 29 | Washer | | 1 | |
| | -Steel | E68C | | 1.00 |
| | -Teflon | E68T | | 2.00 |
| | Optional HP/vacuum thread sealing gasket | | 1 | |
| | -Buna | E25N1 | | 3.00 |
| | -Neoprene | E25C2 | | 1.00 |
| | -Viton® | E25V1 | | 16.00 |
| | -Silicone | E25S1 | | 1.00 |
| 30 | Adjustment screw | F55C | 1 | 7.00 |
| 31 | Retaining ring | F59C | 2 | 1.00 |
| 32 | Bonnet | F57C | 1 | 10.00 |
| 33 | O-ring, Valve-Buna | F56E | 3 | 1.00 |
| | -Neoprene | F56N | | 2.00 |
| | -Viton® | F56V | | 2.00 |
| | -Teflon | F56T | | 2.00 |
| | -Silicone | F56Z | | 1.00 |
| 34 | Spring-Std | H52S | 1 | 12.00 |
| | -Heavy duty | H52C | | 12.00 |
| | -Light duty | H52D | | 12.00 |
| 35 | Poppet | F51C | 1 | 17.00 |
| 36 | Cage | H50C | 1 | 21.00 |
| 37 | Gland | F22DD2F | 1 | 83.00 |
| 39 | Washer | F25C2 | 1 | 4.00 |
| 40 | Thrust Bearing | F11TB2 | 1 | 4.00 |
| 41 | Washer | F25C3 | 1 | 2.00 |
| 42 | Spherical Washer | F25C5 | 1 | 10.00 |
| 43 | Spherical Washer | F25C4 | 1 | 10.00 |
| 44 | Nut | ZA532A | 1 | 1.00 |
| 45 | Pin | F41C | 1 | 1.00 |
| 49 | Shaft Seal, Secondary (See Seal Kits) | | | |
| 50 | O-ring, Sleeve | | 2 | |
| | -Buna | SE3932N70 | | 1.00 |
| | -Viton® | SE3932V76 | | 49.00 |
| | -Silicone | SE3932S70 | | 3.00 |
| | -Kalraz® | SE3932K75 | | 380.00 |
| | -Teflon | SE3932J60 | | 6.00 |
| | -Neoprene | SE3932C70 | | 2.00 |
| 51 | Sleeve | H33RDS | 1 | 79.00 |
| 52 | Gland | F33SS3F | 1 | 96.00 |
| 53 | Roller Bearing | F11TB | 1 | 17.00 |
| 54 | Locking Collar | F19A | 1 | 4.00 |
| 55 | Pipe Plug 3/4" NPt | DP20 | 1 | 1.00 |

Viton® and Kalraz® is a registered trademark of DuPont Dow Elastomers

24U - 40U BARRIER SEAL PUMP REPLACEMENT PARTS

| Item No. | Description | Part Number | Qty Reqd. | List Price Ea. | Item No. | Description | Part Number | Qty Reqd. | List Price Ea. |
|----------|------------------------------|-------------|-----------|----------------|----------|--|-------------|-----------|----------------|
| 1 | Screw on Plug | SAE16 | 1 | \$ 8.00 | | -Open Clearance | DU30C13MO7 | | 260.00 |
| 2 | O-Ring | | 1 | | | -Open Clearance/OBB | DU30C13MO8 | | 311.00 |
| | -Buna | SE3916N70 | | 1.00 | | 40U Standard | DU40C13MC7 | 1 | 162.00 |
| | -Viton® | SE3916V76 | | 3.00 | | -OBB shaft | DU40C13MC8 | | 292.00 |
| | -Neoprene | SE3916C70 | | 2.00 | | -Hatrided Pinion | DU40C13MH7 | | 167.00 |
| | -Kalrez® | SE3916K75 | | 180.00 | | -Hatrided/OBB shaft | DU40C13MH8 | | 295.00 |
| | -Teflon | SE3916J60 | | 2.00 | | -X-Hard | DU40C13MX7 | | 198.00 |
| | -Silicone | SE3916S70 | | 2.00 | | -X-Hard/OBB shaft | DU40C13MX8 | | 250.00 |
| 3 | Thrust Washer Kit | RRKT001 | 1 | 27.00 | | -Open Clearance | DU40C13MO7 | | 274.00 |
| 4 | Screw | KR364 | 8 | .25 | | -Open Clearance/OBB | DU40C13MO8 | | 326.00 |
| 5 | Cover | | 1 | | 10 | Pinion (Not sold separately. Must order Item #9) | | | |
| | 24U D.I. | D2230A11 | | 85.00 | 11 | Shaft (Not sold separately. Must order Item #9) | | | |
| | -Hatrided | D2230AH11 | | 99.00 | 12 | Drive Key 3/16 Sq x 3/4" L | F18C75 | 1 | 1.00 |
| | -X-Hard | D2230AXH11 | | 118.00 | 13 | Rotor | | | |
| | 30U D.I. | D3030A11 | | 108.00 | | 24U Standard C.I. | D2226F11 | 1 | 37.00 |
| | -Hatrided | D3030AH11 | | 121.00 | | -Hatrided | D2226H | | 41.00 |
| | -X-Hard | D3030AXH11 | | 142.00 | | -X-Hard | D2226XH | | 70.00 |
| | 40U D.I. | D4030A11 | | 122.00 | | -Delrin | D2226D1 | | 254.00 |
| | -Hatrided | D4030AH11 | | 135.00 | | -Teflon | D2226T1 | | 456.00 |
| | -X-Hard | D4030AXH11 | | 156.00 | | -Open Clearance | D2226NF | | 172.00 |
| 6 & 6A | Bearing 24U & 30U | | 2 | | | -Ni-Resist | D2226N1 | | 469.00 |
| | -Iron | H11F | | 3.00 | | 30U Standard C.I. | D3026F1 | 1 | 41.00 |
| | -Bronze | H11B | | 7.00 | | -Hatrided | D3026H | | 46.00 |
| | -Graphite | H11G | | 81.00 | | -X-Hard | D3026XH | | 74.00 |
| | -DU | H11UBA | | 37.00 | | -Delrin | D3026D1 | | 258.00 |
| 6 | Bearing 40U | | | | | -Teflon | D3026T1 | | 527.00 |
| | -Iron | H11F10 | 1 | 10.00 | | -Open Clearance | D3026NF | | 177.00 |
| | -Bronze | H11B10 | 1 | 8.00 | | -Ni-Resist | D3026N1 | | 502.00 |
| | -Graphite | H11G10 | 1 | 120.00 | | 40U Standard C.I. | D4026F1 | 1 | 42.00 |
| 6&6A | Bearing 40U | | | | | -Hatrided | D4026H | | 50.00 |
| | -Iron | H11F | 1 | 3.00 | | -X-Hard | D4026XH | | 76.00 |
| | -Bronze | H11B | 1 | 7.00 | | -Delrin | D4026D1 | | 267.00 |
| | -Graphite | H11G | 1 | 81.00 | | -Teflon | D4026T1 | | 354.00 |
| | -DU | H11UBA | 2 | 37.00 | | -Open Clearance | D4026NF | | 194.00 |
| 7 | Wiper Seal | | 2 | | | -Ni-Resist | D4026N1 | | 534.00 |
| | -Buna | H21E | | 6.00 | 14 | Case D.I. | | 1 | |
| | -Neoprene | H21N | | 10.00 | | -1" ports | D403A11K | | 226.00 |
| | -Viton® | H21V | | 14.00 | | -1-1/4" ports | D403A11L | | 226.00 |
| 8 | O-Ring-Cover | | 1 | | | -1-1/2" ports | D403A11M | | 226.00 |
| | -Buna | H28E | | 2.00 | | Case D.I.-Hatrided | | 1 | |
| | -Viton® | H28V | | 3.00 | | -1" ports | D403AH11K | | 279.00 |
| | -Neoprene | H28N | | 3.00 | | -1-1/4" ports | D403AH11L | | 279.00 |
| | -Kalrez® | H28K | | 593.00 | | -1-1/2" ports | D403AH11M | | 279.00 |
| | -Teflon | H28T | | 8.00 | | Case D.I.- X-Hard | | 1 | |
| | -Silicone | H28Z | | 12.00 | | -1" ports | D403AXH11K | | 279.00 |
| 9 | Shaft & Pinion Assy-std. | | | | | -1-1/4" ports | D403AXH11L | | 279.00 |
| | 24U Standard | DU22C13MC7 | 1 | 134.00 | | -1-1/2" ports | D403AXH11M | | 279.00 |
| | -OBB shaft | DU22C13MC8 | | 264.00 | 15 | Lip Seal (See Seal Kit-Page 22) | | | |
| | -Hatrided Pinion | DU22C13MH7 | | 136.00 | 15A | Mechanical Seal (See Seal Kits-Page 22) | | | |
| | -Hatrided/OBB shaft | DU22C13MH8 | | 266.00 | 15B | Packing Seal (See Seal Kits-Page 22) | | | |
| | -X-Hard | DU22C13MX7 | | 174.00 | 16 | Washer | F25C3 | 1 | 2.00 |
| | -X-Hard/OBB shaft | DU22C13MX8 | | 229.00 | 16A | Washer | F25C2 | 1 | 4.00 |
| | -Open Clearance | DU22C13MO7 | | 254.00 | 17 | Shaft Seal (See Seal Kits) | | | |
| | -Open Clearance/OBB | DU22C13MO8 | | 305.00 | 18 | Thrust Bearing | F11TB2 | 1 | 4.00 |
| | 30U Standard | DU30C13MC7 | 1 | 143.00 | 19 | Set Screw, Vent | E49E | 1 | 1.00 |
| | -OBB shaft | DU30C13MC8 | | 274.00 | 20 | Pin | F43C1 | 1 | 1.00 |
| | -Hatrided Pinion | DU30C13MH7 | | 146.00 | 21 | O-Ring, Gland | | 1 | |
| | -Hatrided/OBB shaft | DU30C13MH8 | | 276.00 | | -Buna | SE2137N70 | | 1.00 |
| | -X-Hard | DU30C13MX7 | | 183.00 | | -Viton® | SE2137V76 | | 6.00 |
| | -X-Hard/OBB shaft | DU30C13MX8 | | 235.00 | | -Neoprene | SE2137C70 | | 1.00 |

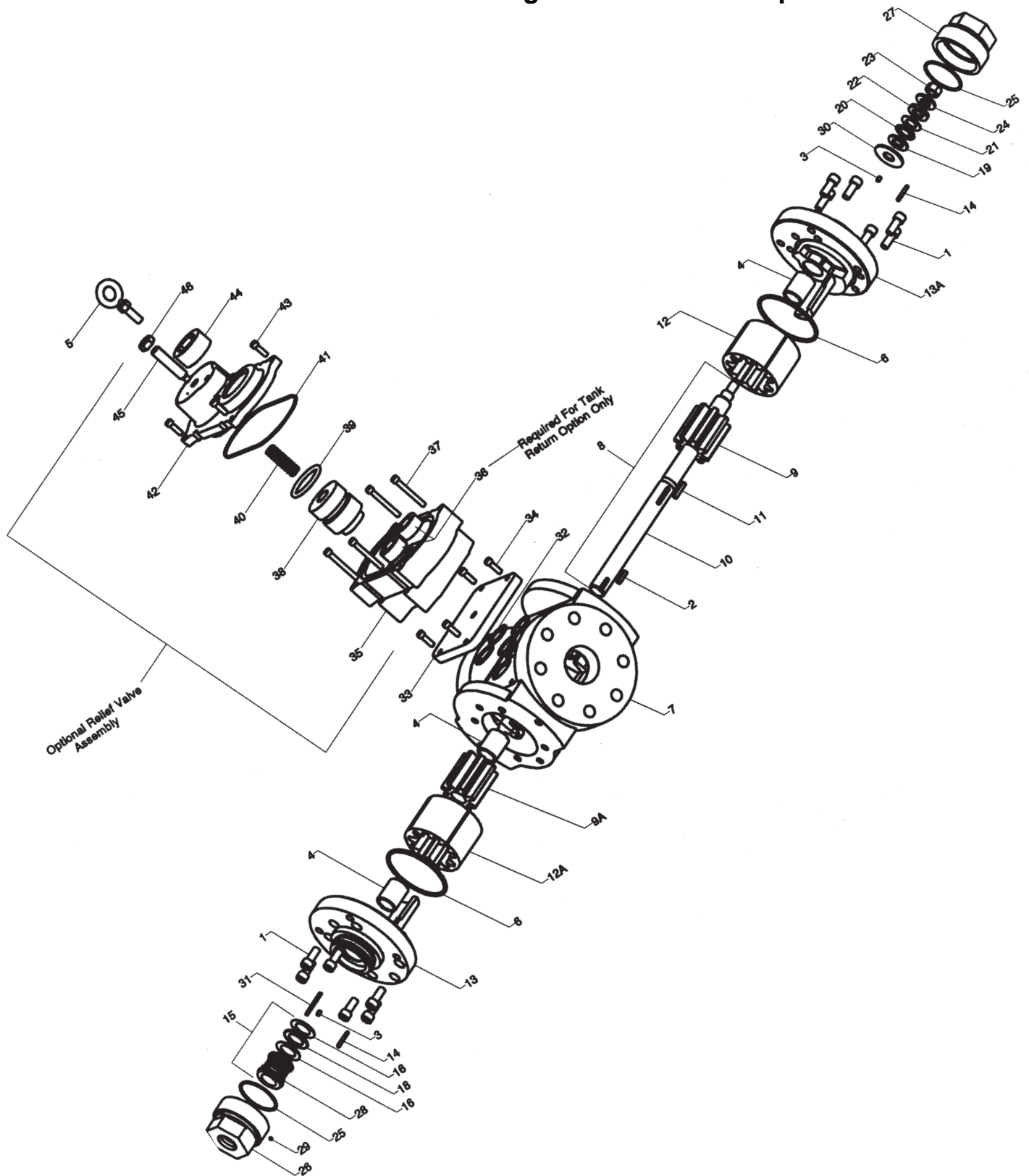
Viton® and Kalrez® is a registered trademark of DuPont Dow Elastomers

24 - 40U STANDARD PUMP REPLACEMENT PARTS

| Item Number | Description | Part Number | Qty. Required | List Price Ea. |
|-------------|--|-------------|---------------|----------------|
| | -Silicone | SE2137S70 | | 2.00 |
| | -Kalraz® | SE2137K75 | | 139.00 |
| | -Teflon | SE2137J60 | | 4.00 |
| 22 | O-Ring, Cover Plate, Valve Body | | 2 | |
| | -Buna | SE2122N70 | | 1.00 |
| | -Viton® | SE2122V76 | | 2.00 |
| | -Neoprene | SE2122C70 | | 1.00 |
| | -Teflon | SE2122J60 | | 2.00 |
| | -Silicone | SE2122S70 | | 2.00 |
| | -Kalraz® | SE2122K75 | | 139.00 |
| 23 | Screw, Cover Plate | E90HC.6 | 4 | .25 |
| 24 | Cover Plate D.I. | D1030CP | 1 | 11.00 |
| 25 | Valve Body | FD55A | 1 | 63.00 |
| 26 | Screw, Valve Body | E90SC2.5 | 4 | 1.00 |
| 27 | Pipe Plug | F65C | 2 | 2.00 |
| 28 | Lock Nut | E64C | 1 | 1.00 |
| 29 | Washer | | 1 | |
| | -Steel | E68C | | 1.00 |
| | -Teflon | E68T | | 2.00 |
| | Optional HP/vacuum thread sealing gasket | | 1 | |
| | -Buna | E25N1 | | 3.00 |
| | -Neoprene | E25C2 | | 1.00 |
| | -Viton® | E25V1 | | 16.00 |
| | -Silicone | E25S1 | | 1.00 |
| 30 | Adjustment screw | F55C | 1 | 7.00 |
| 31 | Retaining ring | F59C | 2 | 1.00 |
| 32 | Bonnet | F57C | 1 | 10.00 |
| 33 | O-ring, Valve-Buna | F56E | 3 | 1.00 |
| | -Neoprene | F56N | | 2.00 |
| | -Viton® | F56V | | 2.00 |
| | -Teflon | F56T | | 2.00 |
| | -Silicone | F56Z | | 1.00 |
| 34 | Spring-Std | H52S | 1 | 12.00 |
| | -Heavy duty | H52C | | 12.00 |
| | -Light duty | H52D | | 12.00 |
| 35 | Poppet | F51C | 1 | 17.00 |
| 36 | Cage | H50C | 1 | 21.00 |
| 37 | Gland | H22SS2A | 1 | 29.00 |
| 38 | Set Screw, Gland | E49D | 1 | 2.00 |
| 39 | Washer | F25C2 | 1 | 4.00 |
| 40 | Thrust Bearing | F11TB2 | 1 | 4.00 |
| 41 | Washer | F25C3 | 1 | 2.00 |
| 42 | Spherical Washer | F25C5 | 1 | 10.00 |
| 43 | Spherical Washer | F25C4 | 1 | 6.00 |
| 44 | Nut | ZA532A | 1 | 1.00 |
| 45 | Pin | F41C | 1 | 1.00 |
| 49 | Shaft Seal, Secondary (See Seal Kits) | | | |
| 50 | O-ring, Sleeve | | 2 | |
| | -Buna | SE3932N70 | | 1.00 |
| | -Viton® | SE3932V76 | | 49.00 |
| | -Silicone | SE3932S70 | | 3.00 |
| | -Kalraz® | SE3932K75 | | 380.00 |
| | -Teflon | SE3932J60 | | 6.00 |
| | -Neoprene | SE3932C70 | | 2.00 |
| 51 | Sleeve | H33RDS | 1 | 79.00 |
| 52 | Gland | F33SS3F | 1 | 96.00 |
| 53 | Roller Bearing | F11TB | 1 | 17.00 |
| 54 | Locking Collar | F19A | 1 | 4.00 |
| 55 | Pipe Plug 3/4" NPt | DP20 | 1 | 1.00 |

Viton® and Kalrez® is a registered trademark of DuPont Dow Elastomers

HAIGHT® 44D through 80D Double Pump



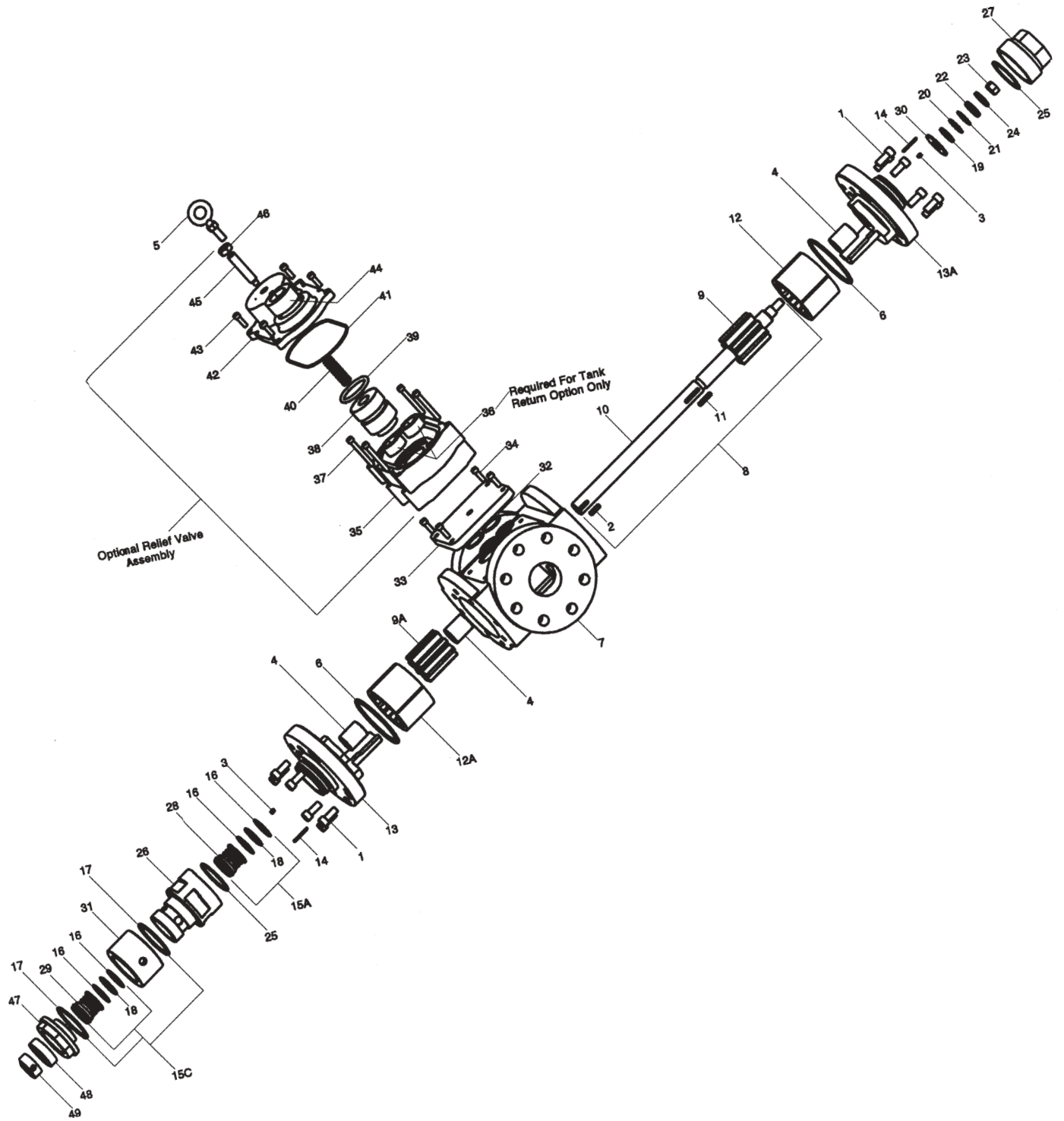
44D THROUGH 80D DOUBLE PUMPS

| Item No. | Description | Part Number | Qty Reqd. | List Price Ea. | Item No. | Description | Part Number | Qty Reqd. | List Price Ea. |
|----------|--|-------------|-----------|----------------|----------|---------------------------------------|-------------|-----------|----------------|
| 1 | Screw .375 x .875 UNC HSCS | H90SC.8 | 12 | \$.20 | 28 | Mechanical shaft seal (See Seal Kits) | | | |
| 2 | Drive Key .188 x .75 | F18C75 | 1 | 1.00 | 29 | Set Screw 10-32x1/4 SH CP | E49D | 1 | 2.00 |
| 3 | Set Screw 10-32x1/4 SH CP | E49E | 2 | 1.00 | 30 | Washer .656x1.66x.094 | F25C7 | 1 | 1.00 |
| 4 | Shaft Bearing .877 x 1.5 x 1.128 | | 3 | | 31 | Roll Pin | F43C1 | 1 | 1.00 |
| | - Iron | H11F | | 3.00 | 32 | O-ring | | 4 | |
| | - Bronze | H11B | | 7.00 | | -Buna | SE2122N70 | | 1.00 |
| | - Carbon Graphite | H11G | | 81.00 | | -Viton® | SE2122V76 | | 2.00 |
| 5 | Eyebolt | EYB1 | 1 | 2.00 | | -Neoprene | SE2122C70 | | 1.00 |
| 6 | O-ring | | 2 | | | -Kalraz® | SE2122K75 | | 139.00 |
| | - Neoprene | H28N | | 3.00 | | -Teflon | SE2122J60 | | 2.00 |
| | - Buna N | H28E | | 2.00 | | -Silicone | SE2122S70 | | 2.00 |
| | - Viton® | H28V | | 3.00 | 33 | Cover Plate | D8030CP | 1 | 63.00 |
| | -Kalraz® | H28K | | 593.00 | 34 | Screw, Cover Plate | E90SC.9 | 4 | 1.00 |
| | -Teflon | H28T | | 8.00 | 35 | Valve Body | RVB03 | 1 | 261.00 |
| | -Silicone | H28Z | | 12.00 | 36 | Pipe Plug | F65C | 2 | 2.00 |
| 7 | Casing D.I. | D403A4 | 1 | 504.00 | 37 | Screw, Valve Body | E90SC.2.0 | 4 | 1.00 |
| 8 | Shaft & Pinion Assembly | | 1 | | 38 | Valve Piston | RVP04 | 1 | 59.00 |
| | - 44gpm | D44C13D1 | | 283.00 | 39 | O-ring, Valve Piston | | 1 | |
| | - 54gpm | D44C13D1 | | 283.00 | | -Buna | SE2327N70 | | 2.00 |
| | - 60gpm | D60C13D1 | | 292.00 | | -Viton® | SE2327V76 | | 6.00 |
| | - 70gpm | D70C13D1 | | 311.00 | | -Neoprene | SE2327C70 | | 4.00 |
| | - 80gpm | D70C13D1 | | 311.00 | | -Silicone | SE2327S70 | | 4.00 |
| 9 | Standard Pinion (Not sold separately. See Item #8) | | | | | -Kalraz® | SE2327K75 | | 556.00 |
| 9A | Keyed Pinion (Not sold separately. See Item #8) | | | | 40 | Spring | | 1 | |
| 10 | Shaft (Not sold separately. See Item #8) | | | | | -Low pressure | H52E | | 8.00 |
| 11 | Key, Pinion - .188x 1.0 | F18C100 | 1 | 2.00 | | -Med. pressure | H52F | | 14.00 |
| 12 | Rotor C.I. | | 1 | | | -High pressure | H52G | | 20.00 |
| | - 44gpm | D2226F1 | | 37.00 | 41 | O-ring, Valve cover | | 1 | |
| | - 54gpm | D2226F1 | | 37.00 | | -Buna | SE2160N70 | | 6.00 |
| | - 60gpm | D3026F1 | | 41.00 | | -Viton | SE2160V76 | | 9.00 |
| | - 70gpm | D4026F1 | | 42.00 | | -Neoprene | SE2160C70 | | 4.00 |
| | - 80gpm | D4026F1 | | 42.00 | | -Silicone | SE2160S70 | | 13.00 |
| 12A | Mating Rotor C.I. | | 1 | | | -Kalraz® | SE2160K75 | | N/A |
| | - 44gpm | D2226F1 | | 37.00 | 42 | Valve Cover | RVC30 | 1 | 208.00 |
| | - 54gpm | D2226F1 | | 37.00 | 43 | Screw, Valve cover | E90SC1.0 | 4 | 1.00 |
| | - 60gpm | D3026F1 | | 41.00 | 44 | Pipe Plug | H65C | 1 | 8.00 |
| | - 70gpm | D4026F1 | | 42.00 | 45 | Adjustment Screw | F55C | 1 | 7.00 |
| | - 80gpm | D4026F1 | | 42.00 | 46 | Lock Nut | E64C | 1 | 1.00 |
| 13 | Drive Plate D.I. | | 1 | | | | | | |
| | - 44gpm | D2230A8 | | 300.00 | | | | | |
| | - 54gpm | D3030A8 | | 300.00 | | | | | |
| | - 60gpm | D3030A8 | | 300.00 | | | | | |
| | - 70gpm | D3030A8 | | 300.00 | | | | | |
| | - 80gpm | D4030A8 | | 300.00 | | | | | |
| 13A | Cover D.I. | | 1 | | | | | | |
| | - 44gpm | D2230A8 | | 300.00 | | | | | |
| | - 54gpm | D3030A8 | | 300.00 | | | | | |
| | - 60gpm | D3030A8 | | 300.00 | | | | | |
| | - 70gpm | D3030A8 | | 300.00 | | | | | |
| | - 80gpm | D4030A8 | | 300.00 | | | | | |
| 14 | Roll Pin .156x1.13 | F41C1 | 2 | 1.00 | | | | | |
| 15 | Seal Kit (See Seal Kits-Page 22) | | 1 | | | | | | |
| 16 | Washer .625x1.12x.094 | H25C2 | 2 | 2.00 | | | | | |
| 18 | Thrust Bearing (Keyed end) (.875) | H11TB2 | 1 | 4.00 | | | | | |
| 19 | Washer (1.12 x .63 x .09 hard steel) | F25C2 | 1 | 4.00 | | | | | |
| 20 | Thrust Washer (.625) | F11TB2 | 1 | 4.00 | | | | | |
| 21 | Washer (1.12 x .63 x .03 hard steel) | F25C3 | 1 | 2.00 | | | | | |
| 22 | Washer | F25C5 | 1 | 10.00 | | | | | |
| 23 | Locking Nut | ZA532A | 1 | 1.00 | | | | | |
| 24 | Washer | F25C4 | 1 | 6.00 | | | | | |
| 25 | O-ring-Gland | | 2 | | | | | | |
| | Buna | SE2137N70 | 2 | 1.00 | | | | | |
| | Viton® | SE2137V76 | | 6.00 | | | | | |
| | Neoprene | SE2137C70 | | 1.00 | | | | | |
| | Kalraz® | SE2137K75 | | 285.00 | | | | | |
| | Silicone | SE2137S70 | | 2.00 | | | | | |
| | Teflon | SE2137J60 | | 4.00 | | | | | |
| 26 | Gland cap-shaft | H22SS2A | 1 | 29.00 | | | | | |
| 27 | Gland cap | F22SM2A | 1 | 23.00 | | | | | |

Viton® and Kalraz® is a registered trademark of DuPont Dow Elastomers

HAIGHT PUMPS

DIVISION OF: BAKER MANUFACTURING COMPANY



44D THROUGH 80D BARRIER SEAL DOUBLE PUMPS

| Item No. | Description | Part Number | Qty Reqd. | List Price Ea. | Item No. | Description | Part Number | Qty Reqd. | List Price Ea. |
|----------|--|-------------|-----------|----------------|----------|---------------------------------------|-------------|-----------|----------------|
| 1 | Screw .375 x .875 UNC HSCS | H90SC.8 | 12 | \$.20 | 25 | O-ring-Gland | | | |
| 2 | Drive Key .188 x .75 | F18C75 | 1 | 1.00 | | Buna | SE2137N70 | 2 | 1.00 |
| 3 | Setscrew 10-32x1/4 SH CP | E49E | 2 | 1.00 | | Viton® | SE2137V76 | | 6.00 |
| 4 | Shaft Bearing .877 x 1.5 x 1.128 | | 3 | | | Neoprene | SE2137C70 | | 1.00 |
| | - Iron | H11F | | 3.00 | | Kalraz® | SE2137K75 | | 285.00 |
| | - Bronze | H11B | | 7.00 | | Silicone | SE2137S70 | | 2.00 |
| | - Carbon Graphite | H11G | | 81.00 | | Teflon | SE2137J60 | | 4.00 |
| 5 | Eyebolt | EYB1 | 1 | 2.00 | 26 | Gland cap-shaft | H22DD2F | 1 | 84.00 |
| 6 | O-ring | | 2 | | 27 | Gland cap | F22SM2A | 1 | 23.00 |
| | - Neoprene | H28N | | 3.00 | 28 | Shaft Seal, Primary (See Seal Kits) | | | |
| | - Buna N | H28E | | 2.00 | 29 | Shaft Seal, Secondary (See Seal Kits) | | | |
| | - Viton® | H28V | | 3.00 | 30 | Washer .656x1.66x.094 | F25C7 | 1 | 1.00 |
| | -Kalraz® | H28K | | 593.00 | 31 | Sleeve | H33RDS | 1 | 79.00 |
| | -Teflon | H28T | | 8.00 | 32 | O-ring | | 2 | |
| | -Silicone | H28Z | | 12.00 | | -Buna | SE2122N70 | | 1.00 |
| 7 | Casing D.I. | D403F4 | 1 | 504.00 | | -Viton® | SE2122V76 | | 2.00 |
| 8 | Shaft & Pinion Assembly | | 1 | | | -Neoprene | SE2122C70 | | 1.00 |
| | - 44gpm | D44C13D2 | | 283.00 | | -Kalraz® | SE2122K75 | | 139.00 |
| | - 54gpm | D44C13D2 | | 283.00 | | -Teflon | SE2122J60 | | 2.00 |
| | - 60gpm | D60C13D2 | | 292.00 | | -Silicone | SE2122S70 | | 2.00 |
| | - 70gpm | D70D13D2 | | 311.00 | 33 | Cover Plate | D8030CP | 1 | 63.00 |
| | - 80gpm | D70C13D2 | | 311.00 | 34 | Screw, Cover Plate | E90SC.9 | 4 | 1.00 |
| 9 | Standard Pinion (Not sold separately. See Item #8) | | | | 35 | Valve Body | RVB03 | 1 | 261.00 |
| 9A | Keyed Pinion (Not sold separately. See Item #8) | | | | 36 | Pipe Plug | F65C | 2 | 2.00 |
| 10 | Shaft (Not sold separately. See Item #8) | | | | 37 | Screw, Valve Body | E90SC2.0 | 4 | 1.00 |
| 11 | Key, Pinion - .188x 1.0 | F18C100 | 1 | 2.00 | 38 | Valve Piston | RVP04 | 1 | 59.00 |
| 12 | Rotor C.I. | | 1 | | 39 | O-ring, Valve Piston | | 1 | |
| | - 44gpm | D2226F1 | | 37.00 | | -Buna | SE2327N70 | | 2.00 |
| | - 54gpm | D2226F1 | | 37.00 | | -Viton® | SE2327V76 | | 6.00 |
| | - 60gpm | D3026F1 | | 41.00 | | -Neoprene | SE2327C70 | | 4.00 |
| | - 70gpm | D4026F1 | | 42.00 | | -Silicone | SE2327S70 | | 4.00 |
| | - 80gpm | D4026F1 | | 42.00 | | -Kalraz® | SE2327K75 | | 556.00 |
| 12A | Mating Rotor C.I. | | 1 | | 40 | Spring | | 1 | |
| | - 44gpm | D2226F1 | | 37.00 | | -Low pressure | H52E | | 8.00 |
| | - 54gpm | D2226F1 | | 37.00 | | -Med. pressure | H52F | | 14.00 |
| | - 60gpm | D3026F1 | | 41.00 | | -High pressure | H52G | | 20.00 |
| | - 70gpm | D4026F1 | | 42.00 | 41 | O-ring, Valve cover | | 1 | |
| | - 80gpm | D4026F1 | | 42.00 | | -Buna | SE2160N70 | | 6.00 |
| 13 | Drive Plate D.I. | | 1 | | | -Viton | SE2160V76 | | 9.00 |
| | - 44gpm | D2230A8 | | 300.00 | | -Neoprene | SE2160C70 | | 4.00 |
| | - 54gpm | D3030A8 | | 300.00 | | -Silicone | SE2160S70 | | 13.00 |
| | - 60gpm | D3030A8 | | 300.00 | | -Kalraz® | SE2160K75 | | N/A |
| | - 70gpm | D3030A8 | | 300.00 | 42 | Valve Cover | RVC30 | 1 | 208.00 |
| | - 80gpm | D4030A8 | | 300.00 | 43 | Screw, Valve cover | E90SC1.0 | 4 | 1.00 |
| 13A | Cover D.I. | | 1 | | 44 | Pipe Plug | H65C | 1 | 8.00 |
| | - 44gpm | D2230A8 | | 300.00 | 45 | Adjustment Screw | F55C | 1 | 7.00 |
| | - 54gpm | D3030A8 | | 300.00 | 46 | Lock Nut | E64C | 1 | 1.00 |
| | - 60gpm | D3030A8 | | 300.00 | 47 | Gland | H33SS3F | 1 | 67.00 |
| | - 70gpm | D3030A8 | | 300.00 | 48 | Bearing | H11TB | 1 | 60.00 |
| | - 80gpm | D4030A8 | | 300.00 | 49 | Collar | H19A | 1 | 4.00 |
| 14 | Roll Pin .156x1.13 | F41C1 | 2 | 1.00 | | | | | |
| 15A | Shaft Seal Kit, Primary(See Seal Kits) | | 1 | | | | | | |
| 15C | Shaft Seal kit, Secondary (See Seal Kits) | | 1 | | | | | | |
| 16 | Washer .625x1.12x.094 | H25C2 | 2 | 2.00 | | | | | |
| 17 | O-ring, Sleeve | | 2 | | | | | | |
| | -Buna | SE3932N70 | | 1.00 | | | | | |
| | -Viton® | SE3932V76 | | 49.00 | | | | | |
| | -Silicone | SE3932S70 | | 3.00 | | | | | |
| | -Kalraz® | SE3932K75 | | 380.00 | | | | | |
| | -Teflon | SE3932J60 | | 6.00 | | | | | |
| | -Neoprene | SE3932C70 | | 2.00 | | | | | |
| 18 | Thrust Bearing (Keyed end) (.875) | H11TB2 | 1 | 4.00 | | | | | |
| 19 | Washer (1.12 x .63 x .09 hard steel) | F25C2 | 1 | 4.00 | | | | | |
| 20 | Thrust Washer (.625) | F11TB2 | 1 | 4.00 | | | | | |
| 21 | Washer (1.12 x .63 x .03 hard steel) | F25C3 | 1 | 2.00 | | | | | |
| 22 | Washer | F25C5 | 1 | 10.00 | | | | | |
| 23 | Locking Nut | ZA532A | 1 | 1.00 | | | | | |
| 24 | Washer | F25C4 | 1 | 6.00 | | | | | |

Viton® is a registered trademark of DuPont Dow Elastomers

SEAL KITS - SERIES "U"

| Part No. | Type | Gasket(1) | O-ring(2) | O-ring(2) | Bag | List Price |
|-------------------------------|----------|-----------|-----------|-----------|------|------------|
| RELIEF VALVE KIT (1-8) | | | | | | |
| RRVK0004 | Buna | E25N1 | SE2018N70 | SE2020N70 | BAG1 | \$8.00 |
| RRVK0005 | Viton® | E25V1 | SE2018V76 | SE2020V76 | BAG1 | \$39.00 |
| RRVK0006 | Neoprene | E25C2 | SE2018C70 | SE2020C70 | BAG1 | \$6.00 |

RELIEF VALVE KIT (10-40) (Thru 8-04)

| | | | | | | |
|----------|----------|-------|------|-----------|------|---------|
| RRVK0007 | Buna | E25N1 | F56E | SE2122N70 | BAG1 | \$8.00 |
| RRVK0008 | Viton® | E25V1 | F56V | SE2122V76 | BAG1 | \$40.00 |
| RRVK0009 | Neoprene | E25C2 | F56N | SE2122C70 | BAG1 | \$11.00 |
| RRVK0010 | Teflon | E68T | F56T | SE2122J60 | BAG1 | \$15.00 |

RELIEF VALVE KIT (44-80)

| | | | | | | |
|---------|----------|--|--------------|--------------|------|-----------|
| RV4480C | Neoprene | | SE2327C70(1) | SE2160C70(1) | Bag1 | \$8.00 |
| RV4480K | Kalraz® | | SE2327K75(1) | SE2160S70(1) | Bag1 | \$1347.00 |
| RV4480N | Buna | | SE2327N70(1) | SE2160N70(1) | Bag1 | \$7.00 |
| RV4480S | Silicone | | SE2327S70(1) | SE2160S70(1) | Bag1 | \$19.00 |
| RV4480V | Viton® | | SE2327V76(1) | SE2160V76(1) | Bag1 | \$15.00 |

| Pump Size | Shaft Size | Part No. | Cover O-Ring | Lip Seal(1) | Wiper Seal | Gland O-Ring | R/V O-Ring(2) | BAG | List Price |
|--------------------------|------------|----------|--------------|-------------|------------|--------------|---------------|------|------------|
| BUNA LIP SEAL KIT | | | | | | | | | |
| 1-8 Gal. | 1/2" | RRK0023 | E28E(1) | E18E | E21E(1) | E24SE | SE2018N70 | BAG1 | \$11.00 |
| 10-20 Gal. | 5/8" | RRK0024 | F28E(1) | F18E2 | F21E(2) | SE2137N70 | SE2122N70 | BAG1 | \$34.00 |
| 24-40 Gal. | 7/8" | RRK0025 | H28E(1) | H18E2 | H21E(2) | SE2137N70 | SE2122N70 | BAG1 | \$34.00 |
| 44-80 Gal. | 7/8" | RRKD0025 | H28E(2) | H18E2 | Omit | SE2137N70(2) | SE2122N70(4) | BAG1 | \$34.00 |

VITON LIP SEAL KIT

| | | | | | | | | | |
|------------|------|----------|----------|-------|---------|--------------|--------------|------|---------|
| 1-8 Gal. | 1/2" | RRK0026 | E28V1(1) | E18V | E21V(1) | E24SV | SE2018V76 | BAG1 | \$17.00 |
| 10-20 Gal. | 5/8" | RRK0027 | F28V(1) | F18V2 | F21V(2) | SE2137V76 | SE2122V76 | BAG1 | \$85.00 |
| 24-40 Gal. | 7/8" | RRK0028 | H28V(1) | H18V2 | H21V(2) | SE2137V76 | SE2122V76 | BAG1 | \$86.00 |
| 44-80 Gal. | 7/8" | RRKD0028 | H28V(2) | H18V2 | Omit | SE2137V76(2) | SE2122V76(4) | BAG1 | \$86.00 |

NEOPRENE LIP SEAL KIT

| | | | | | | | | | |
|------------|------|----------|---------|------|---------|--------------|--------------|------|---------|
| 1-8 Gal. | 1/2" | RRK0029 | E28N(1) | E18N | E21N(1) | E24SN | SE2018C70 | BAG1 | \$18.00 |
| 10-20 Gal. | 5/8" | RRK0030 | F28N(1) | F18N | F21N(2) | SE2137C70 | SE2122C70 | BAG1 | \$30.00 |
| 24-40 Gal. | 7/8" | RRK0031 | H28N(1) | H18N | H21N(2) | SE2137C70 | SE2122C70 | BAG1 | \$31.00 |
| 44-80 Gal. | 7/8" | RRKD0031 | H28N(2) | H18N | Omit | SE2137C70(2) | SE2122C70(4) | BAG1 | \$36.00 |

| Pump Size | Shaft Size | Part No. | Cover O-Ring | Mech Seal(1) | Thst Washer | Thst Brg. | Gland O-Ring | R/V O-Ring(2) | BAG | List Price |
|---------------------------------|------------|----------|--------------|--------------|-------------|-----------|--------------|---------------|------|------------|
| BUNA MECHANICAL SEAL KIT | | | | | | | | | | |
| 1-8 Gal. | 1/2" | RRK0032 | E28E(1) | E18AM | E25C3(2) | E11TB2 | E24SE | SE2018N70 | BAG1 | \$56.00 |
| 10-20 Gal. | 5/8" | RRK0033 | F28E(1) | F18AM | F25C2(2) | F11TB2 | SE2137N70 | SE2122N70 | BAG1 | \$67.00 |
| 24-40 Gal. | 7/8" | RRK0034 | H28E(1) | H18AM | H25C2(2) | H11TB2 | SE2137N70 | SE2122N70 | BAG1 | \$103.00 |
| 44-80 Gal. | 7/8" | RRKD0034 | H28E(2) | H18AM | H25C2(4) | H11TB2(2) | SE2137N70(2) | SE2122N70(4) | BAG1 | \$128.00 |

VITON MECHANICAL SEAL KIT

| | | | | | | | | | | |
|------------|------|----------|---------|--------|----------|-----------|--------------|--------------|------|----------|
| 1-8 Gal. | 1/2" | RRK0035 | E28V(1) | E18BMV | E25C3(2) | E11TB2 | E24SV | SE2018V76 | BAG1 | \$71.00 |
| 10-20 Gal. | 5/8" | RRK0036 | F28V(1) | F18BMV | F25C2(2) | F11TB2 | SE2137V76 | SE2122V76 | BAG1 | \$97.00 |
| 24-40 Gal. | 7/8" | RRK0037 | H28V(1) | H18BMV | H25C2(2) | H11TB2 | SE2137V76 | SE2122V76 | BAG1 | \$114.00 |
| 44-80 Gal. | 7/8" | RRKD0037 | H28V(2) | H18BMV | H25C2(4) | H11TB2(2) | SE2137V76(2) | SE2122V76(4) | BAG1 | \$148.00 |

NEOPRENE MECHANICAL SEAL KIT

| | | | | | | | | | | |
|------------|------|----------|---------|--------|----------|--------|--------------|--------------|------|----------|
| 1-8 Gal. | 1/2" | RRK0038 | E28N(1) | E18CMN | E25C3(2) | E11TB2 | E24SN | SE2018C70 | BAG1 | \$91.00 |
| 10-20 Gal. | 5/8" | RRK0039 | F28N(1) | F18CMN | F25C2(2) | F11TB2 | SE2137C70 | SE2122C70 | BAG1 | \$94.00 |
| 24-40 Gal. | 7/8" | RRK0040 | H28N(1) | H18CMN | H25C2(2) | H11TB2 | SE2137C70 | SE2122C70 | BAG1 | \$148.00 |
| 44-80 Gal. | 7/8" | RRKD0040 | H28N(2) | H18CMN | H25C2(1) | H11TB2 | SE2137C70(2) | SE2122C70(4) | BAG1 | \$176.00 |

SEAL KITS - SERIES D & DR

***Relief valve kits (RV parts only) Listed below.

Seal Kit Type - Buna-N Lip

| Pump Size | Shaft Size | Part Number | Cover O-ring | Shaft Lip Seal | Inner Wiper Seal | Bag | Literature | List Price |
|------------|------------|-------------|--------------|----------------|------------------|------|------------|------------|
| 1-8 Gal. | 1/2" | RRK0005 | E28E (2) | E18E | E21E (2) | BAG1 | HP11 | \$15.00 |
| 10-20 Gal. | 5/8" | RRK0006 | F28E (1) | F18E | F21E (2) | BAG1 | HP11 | \$21.00 |
| 30-40 Gal. | 7/8" | RRK0007 | H28E (1) | H18E | H21E (2) | BAG1 | HP11 | \$24.00 |

Seal Kit Type - Viton Lip

| Pump Size | Shaft Size | Part Number | Cover O-ring | Shaft Lip Seal | Inner Wiper Seal | Bag | Literature | List Price |
|------------|------------|-------------|--------------|----------------|------------------|------|------------|------------|
| 1-8 Gal. | 1/2" | RRK0008 | E28V1(2) | E18V | E21V (2) | BAG1 | HP11 | \$31.00 |
| 10-20 Gal. | 5/8" | RRK0009 | F28V (1) | F18V | F21V (2) | BAG1 | HP11 | \$65.00 |
| 30-40 Gal. | 7/8" | RRK0010 | H28V (1) | H18V | H21V (2) | BAG1 | HP11 | \$71.00 |

Seal Kit Type - Buna-N Mechanical

| Pump Size | Shaft Size | Part Number | Cover O-ring | Shaft Seal | Inner Wiper Seal | Bag | Literature | Thrust Washer (2) | Thrust Bearing | Glandcap O-ring | List Price |
|-----------|------------|-------------|--------------|------------|------------------|------|------------|-------------------|----------------|-----------------|------------|
| 1-8 Gal. | 1/2" | RRK0011 | E28E (2) | E18AM | OMIT | BAG1 | HP12 | E25C3 | E11TB2 | E28V1 | \$ 56.00 |
| 10-20 | 5/8" | RRK0012 | F28E (1) | F18AM | OMIT | BAG1 | HP12 | F25C2 | F11TB2 | E28V1 | \$ 67.01 |
| 30-40 | 7/8" | RRK0013 | H28E (1) | H18AM | OMIT | BAG1 | HP12 | H25C2 | H11TB2 | E28V1 | \$103.00 |

Seal Kit Type -Viton Mechanical

| Pump Size | Shaft Size | Part Number | Cover O-ring | Shaft Seal | Inner Wiper Seal | Bag | Literature | Thrust Washer (2) | Thrust Bearing | Glandcap O-ring | List Price |
|-----------|------------|-------------|--------------|------------|------------------|------|------------|-------------------|----------------|-----------------|------------|
| 1-8 Gal. | 1/2" | RRK0014 | E28V1(2) | E18BMV | OMIT | BAG1 | HP12 | E25C3 | E11TB2 | * | \$ 71.00 |
| 10-20 | 5/8" | RRK0015 | F28V (1) | F18BMV | OMIT | BAG1 | HP12 | F25C2 | F11TB2 | E28V1 | \$ 91.00 |
| 30-40 | 7/8" | RRK0016 | H28V (1) | H18BMV | OMIT | BAG1 | HP12 | H25C2 | H11TB2 | E28V1 | \$106.00 |

Seal Kit Type - Packed Gland -Teflon/Viton

| Pump Size | Shaft Size | Part Number | Cover O-ring | Packing Shaft Seal | Inner Wiper Seal | Bag | Literature | Glandcap O-ring | List Price |
|------------|------------|-------------|--------------|--------------------|------------------|------|------------|-----------------|------------|
| 10-20 Gal. | 5/8" | RRK0018 | F28V | F18T | F21V | BAG1 | HP12 | E28V1 | \$ 59.00 |
| 30-40 Gal. | 7/8" | RRK0019 | H28V | H18T | H21V | BAG1 | HP12 | E28V1 | \$95.00 |

Seal Kit Type - Packed Gland - Graphoil/Viton

| Pump Size | Shaft Size | Part Number | Cover O-ring | Shaft Seal | Inner Wiper Seal | Bag | Literature | Packing Tube | Packing Pusher | Glandcap O-ring | List Price |
|------------|------------|-------------|--------------|------------|------------------|------|------------|--------------|----------------|-----------------|------------|
| 10-20 Gal. | 5/8" | RRK0020 | F28V | F18K | F21V | BAG1 | HP12 | | | E28V1 | \$ 72.00 |
| 30-40 Gal. | 7/8" | RRK0021 | H28V | H18K | H21V | BAG1 | HP12 | | | E28V1 | \$112.00 |

Packing Gland - Accessories

| | | | |
|-----------------|-----|-----|----------|
| 10-20 Gal. 5/8" | PT1 | PP1 | \$ 38.00 |
| 30-40 Gal. 7/8" | PT2 | PP2 | \$ 71.00 |

Relief Valve Kit (Buna-N or Viton) 1 -8 Round Hub Pumps.

| Part Number | Gasket (1) | O-Ring (3) | Gasket (2) | Bag | Literature | List Price |
|-------------|------------|------------|------------|------|------------|------------|
| RRVK0001 | E68C | OMIT | E67C | BAG1 | HP13 | \$3.00 |

Relief Valve Kit (Buna-N) 10 - 40 Square Flange Pumps.

| Part Number | Gasket (1) | O-Ring (3) | Gasket (2) | Bag | Literature | List Price |
|-------------|------------|------------|------------|------|------------|------------|
| RRVK0002 | E68C | F56E (3) | OMIT | BAG1 | HP13 | \$7.00 |

Relief Valve Kit (Viton) 10 - 40 Square Flange Pumps.

| Part Number | Gasket (1) | O-Ring (3) | Gasket (2) | Bag | Literature | List Price |
|-------------|------------|------------|------------|------|------------|------------|
| RRVK0003 | E68C | F56V (3) | OMIT | BAG1 | HP13 | \$23.00 |

5E Hot Oil Pump Viton Lip Kit

| Part Number | Cover O-ring | Shaft Lip Seal | Inner Wiper Seal | Bag | Literature | List Price |
|-------------|--------------|----------------|------------------|-------|------------|------------|
| RRK0004 | E28V1 (2)* | E18V | OMIT | PL100 | HP10 | \$15.00 |

* This kit has one extra square cut o-ring to accommodate the older style"5D hot oil pump" prior to 1995.

