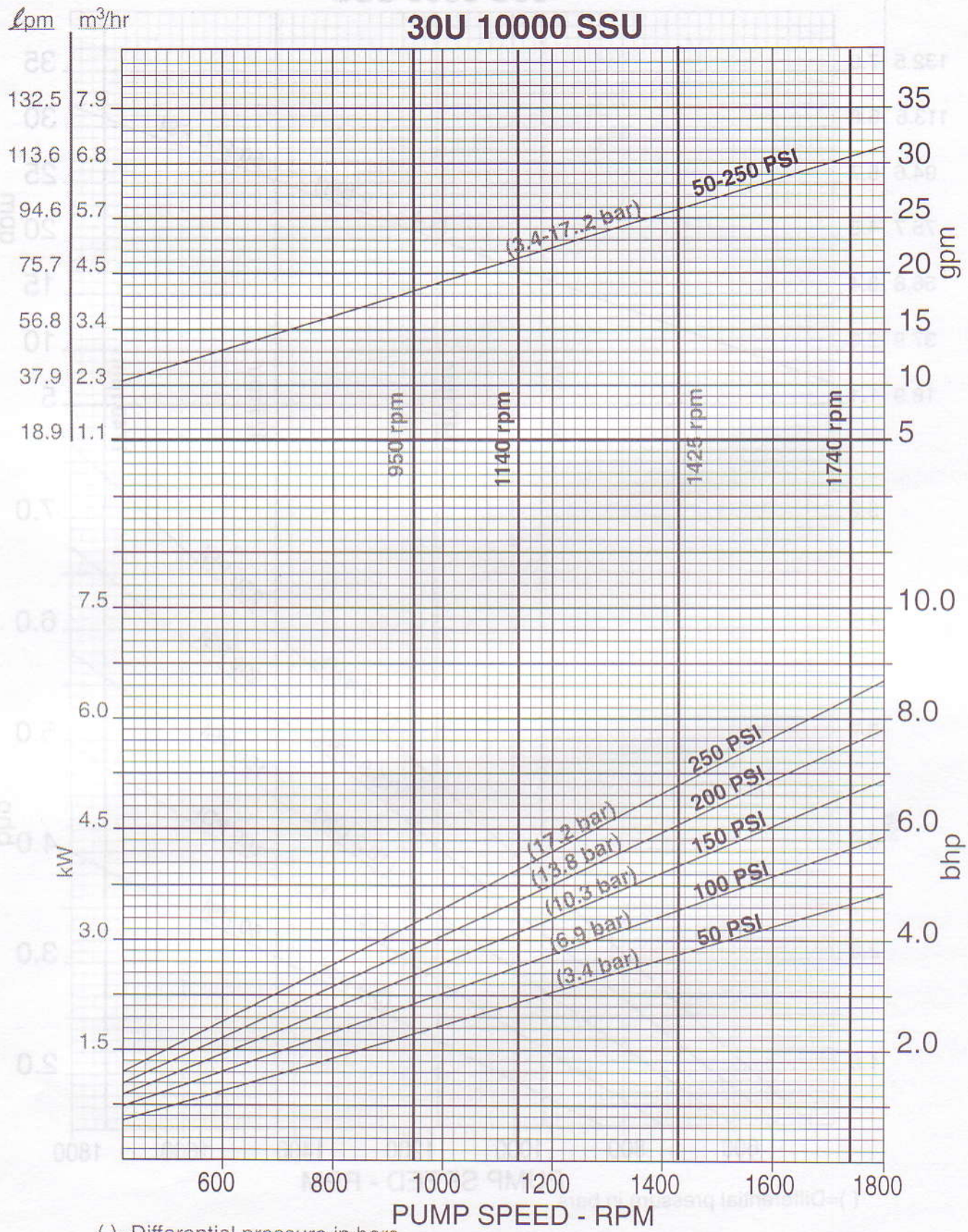


# 30U 10000 SSU



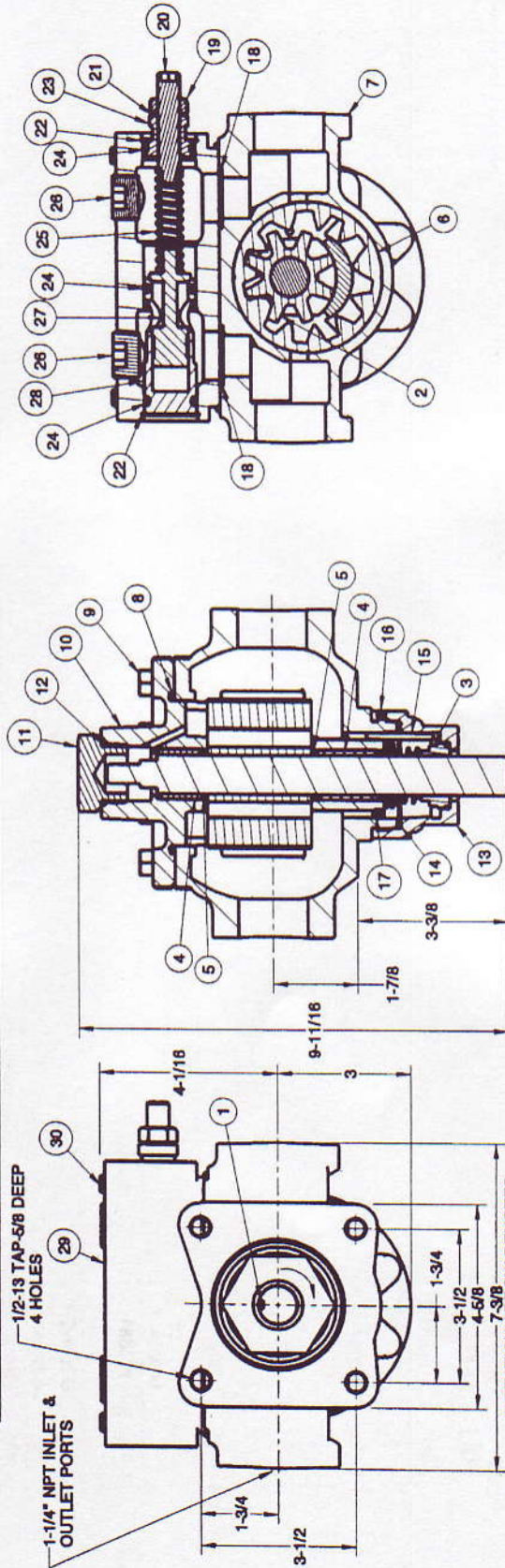
( )=Differential pressure in bars

**30U - 30 GPM UNIVERSAL RELIEF VALVE PUMP**

Item	Part No.	Description	Qty.
1	F18C75	Drive Key	1
2	DU30C13MC	Shaft & Pinion Assembly	1
3	H18AM	Seal-Shaft	1
4	H11B	Bearing	2
5	H21E	Seal-Wiper	2
6	D3026F1	Rotor	1
7	D403A11	Case	1
8	H28E	O-Ring, Cover	1
9	KR364	Screw, Cover	8
10	D3030A11	Cover	1
11	SAE16	Screw On Plug	1
12	SE3916N70	O-Ring, Screw On Plug	1
13	H22SS2F	Gland	1
14	SE2138N70	O-Ring, Gland	1
15	F43C1	Roll Pin	1

Item	Part No.	Description	Qty.
16	E49D	Set Screw, Gland	1
17	E49E	Set Screw, Vent	1
18	SE2122N70	O-Ring, Valve Body	2
19	E64C	Lock Nut	1
20	F55C	Adjustment Screw	1
21	E68C	Gasket, Bonnet	1
22	F59C	Retaining Ring	2
23	F57C	Bonnet	1
24	F56E	O-Ring, Valve	2
25	H52S	Spring	1
26	F65C	Pipe Plug	2
27	F51C	Poppet	1
28	F50C	Cage	1
29	F55A	Valve Body	1
30	E90SC2.5	Screw, Valve Body	4

**30U - 30 GPM**  
**Universal Relief Valve Pump**



CUTAWAY VIEW  
SHAFT END

CUTAWAY VIEW BOTTOM

SHAFT END VIEW

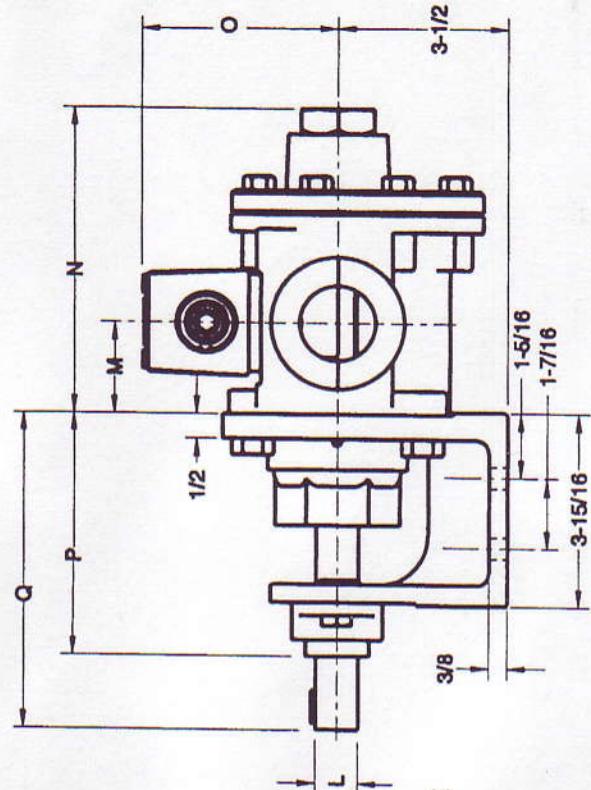
**S1040 Outboard Bearing Bracket  
for 10-40 GPM Haight Pumps**

*3PUR-T21NBR-S1040  
\$1126.  
NET \$901.00.*

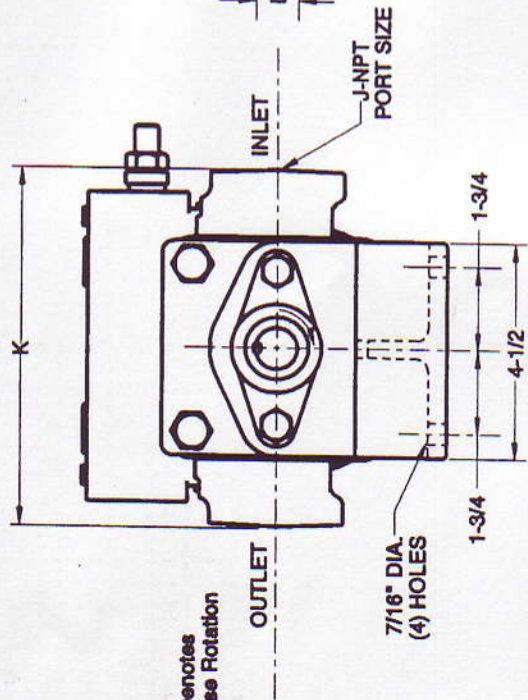
S1040 Outboard Bearing Bracket for 10-40 GPM Haight Pumps

Pump	J	K	L	M	N	O	P	Q
10U	1	7	5/8	1-15/16	6-3/16	2-1/4	5	6-7/8
10U	1	7	5/8	1-15/16	6-3/16	4-1/16	5	6-7/8
15U, 20U	1-1/4	7	5/8	1-15/16	6-3/16	2-1/4	5	6-7/8
15U, 20U	1-1/4	7	5/8	1-15/16	6-3/16	4-1/16	5	6-7/8
24U, 30U, 40U	1-1/2	7-3/8	7/8	1-29/32	6-5/16	2-1/4	5-1/8	7-1/8
24U, 30U, 40U	1-1/2	7-3/8	7/8	1-29/32	6-5/16	4-1/16	5-1/8	7-1/8

**S1040 Outboard Bearing Bracket  
for 10-40 GPM Haight Pumps**



RIGHT SIDE VIEW



SHAFT END VIEW

Rotation Arrow Denotes  
Standard Clockwise Rotation