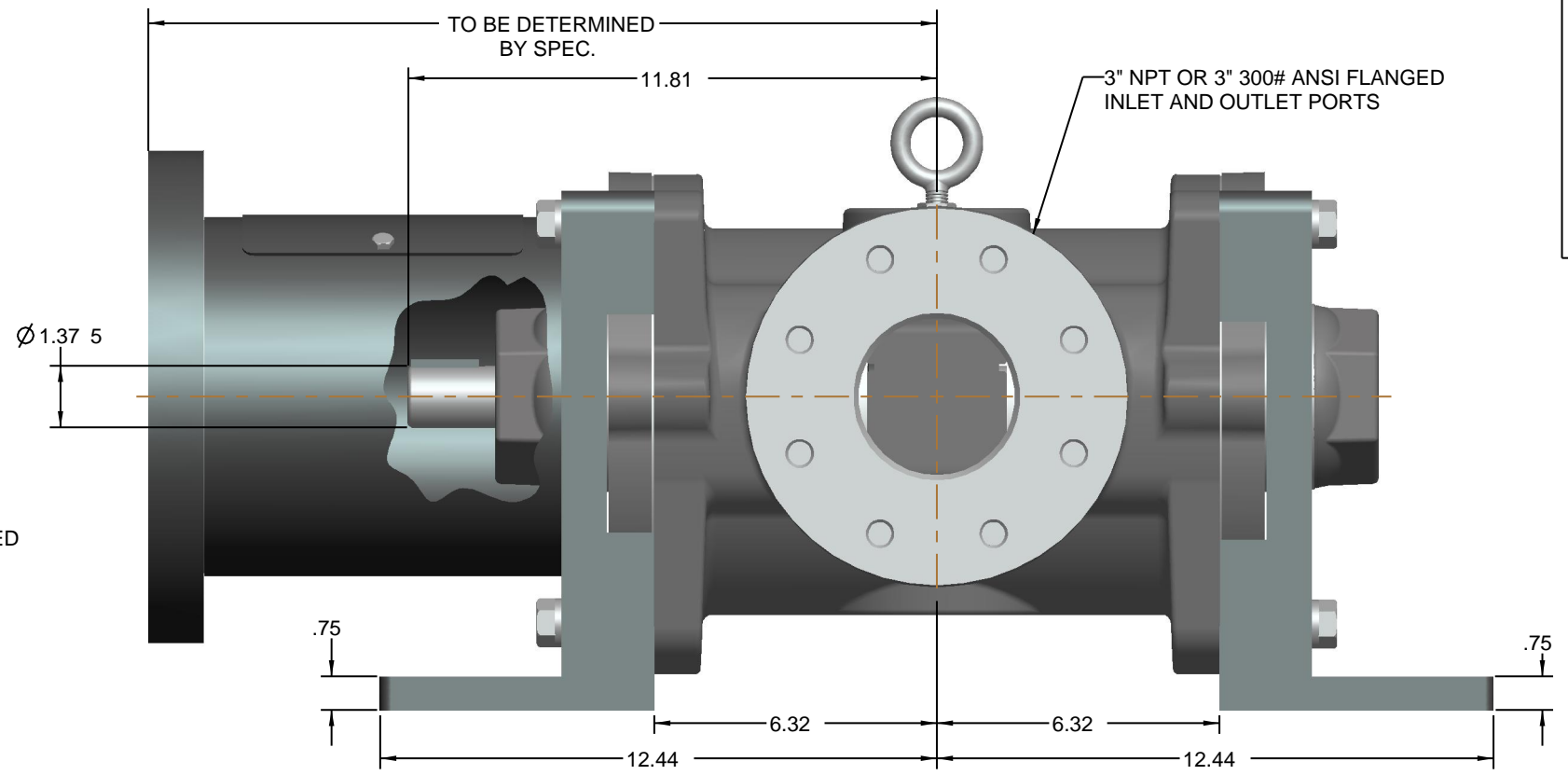
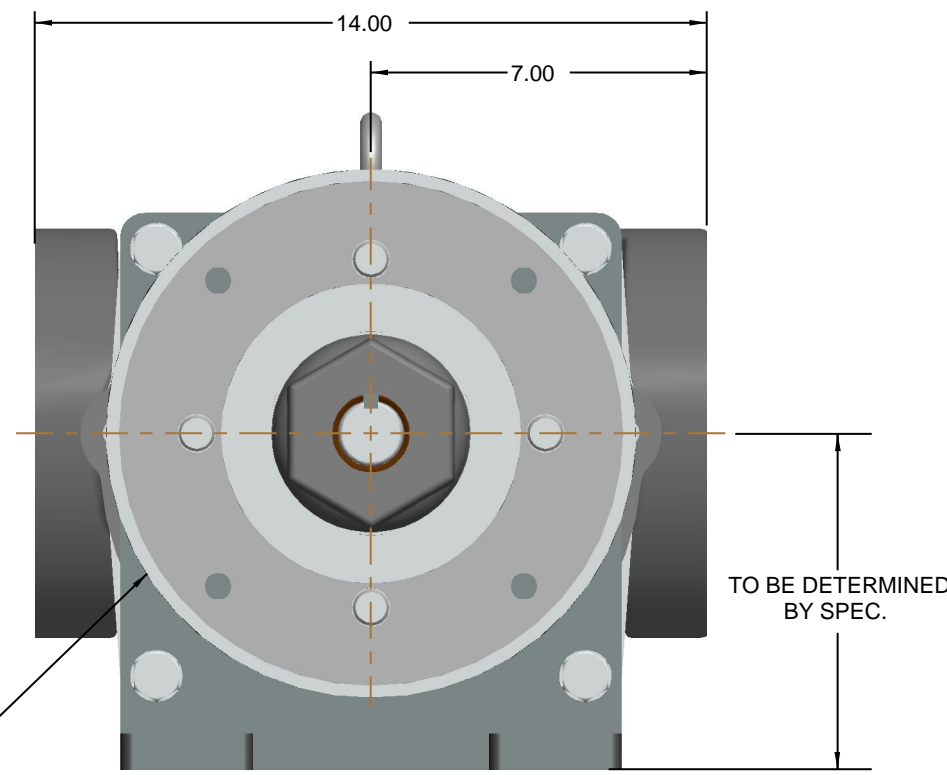
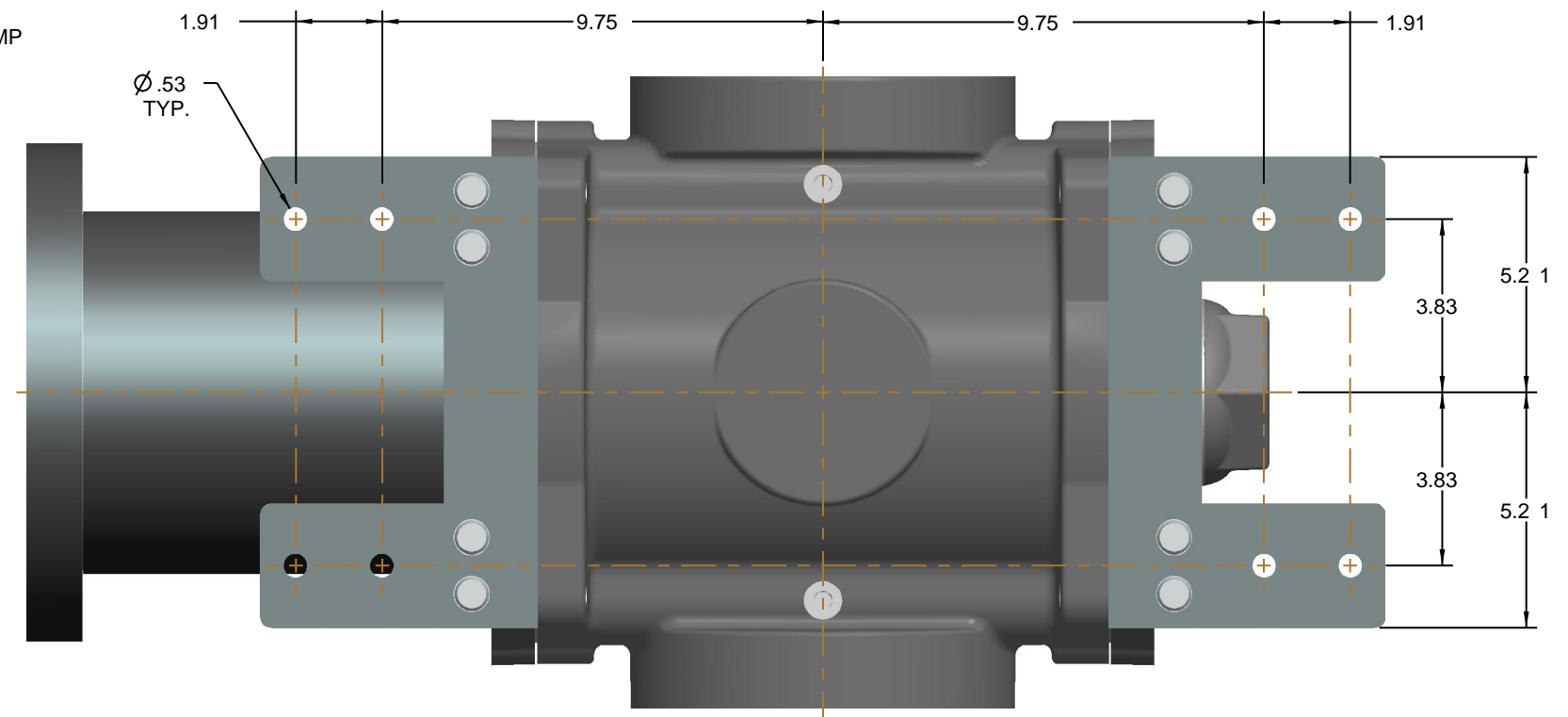
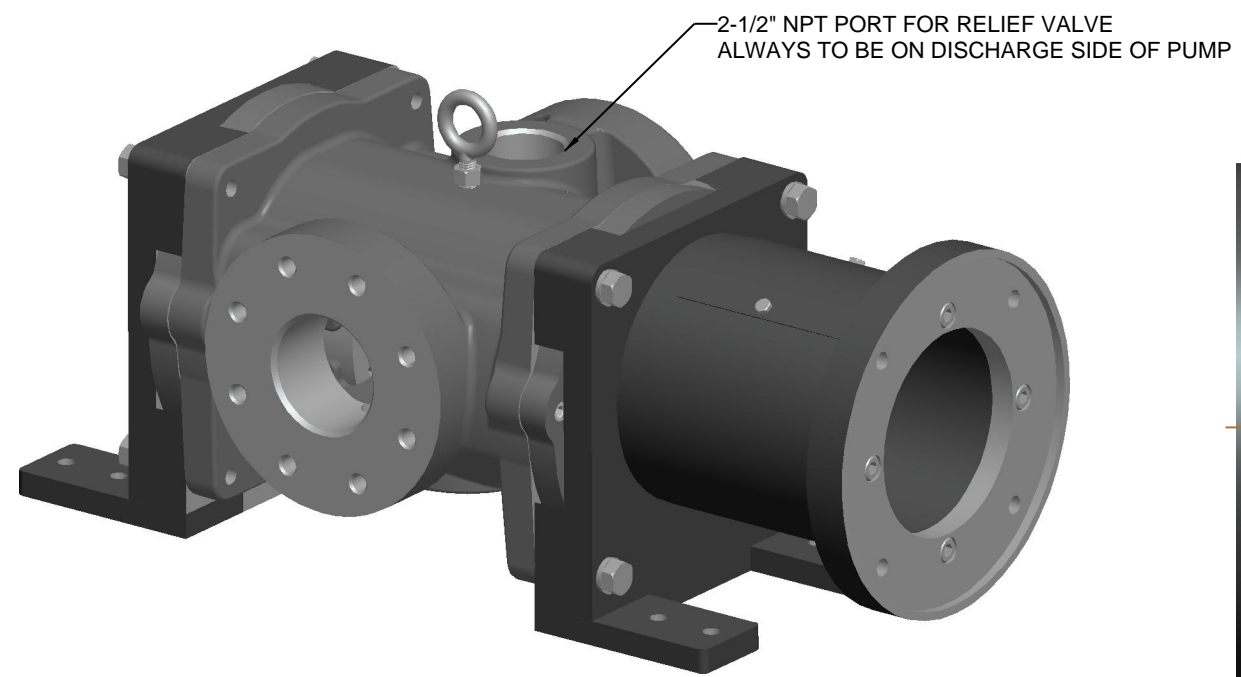


REV	DESCRIPTION	DATE
A	LAYOUT/PROPOSAL ONLY	1/24/08

DRAWING NUMBER  
**BR240LAY**

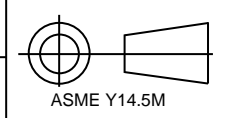


C-FACE MOUNTING TO BE DETERMINED BY SPEC.



**BAKER MFG. CO. LLC**  
133 ENTERPRISE ST.  
EVANSVILLE, WI. 53536

This information is confidential to Baker Manufacturing LLC (Baker). It can not be disclosed to others without the written consent of Baker.  
CHK'D BY: \_\_\_\_\_  
APPR'V'D BY: \_\_\_\_\_



TOL. UNLESS OTHERWISE SPECIFIED:  
**±.01**

DRWN BY: **JO**  
DATE: **1/24/08**  
SCALE: **N.T.S.**  
REMOVE ALL BURRS AND SHARP EDGES

TITLE:  
**120-240 GPM IRON PUMP W/BRACKETS**

DRAWING NUMBER:  
**BR240LAY**