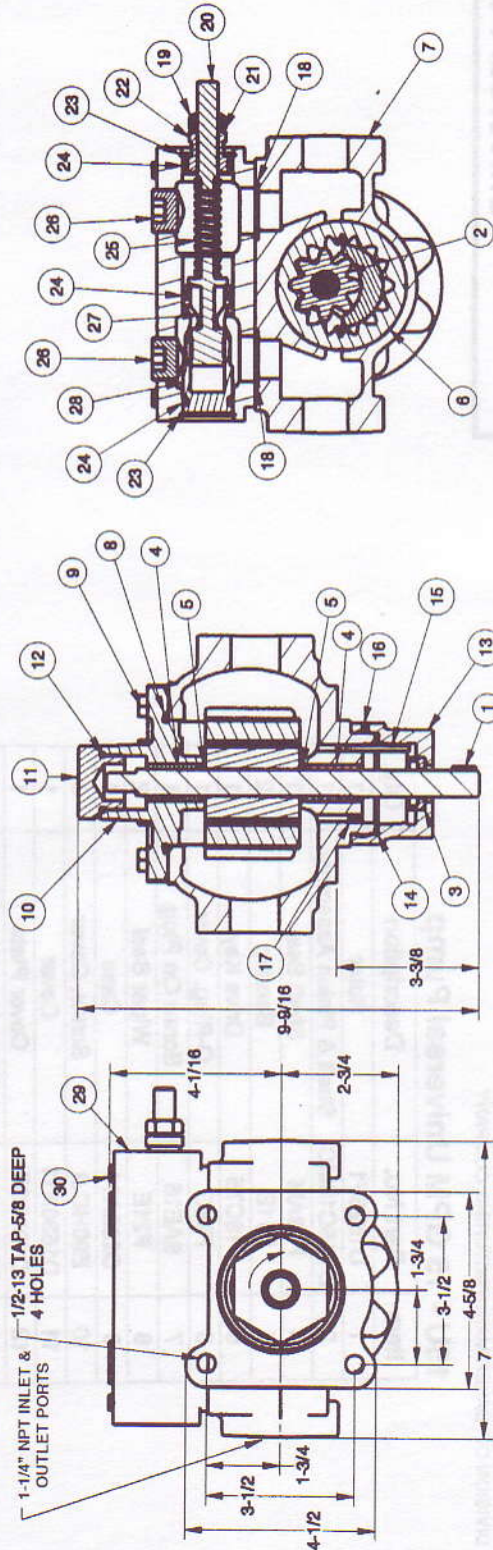


15U - 15 GPM Universal Relief Valve Pump

Item	Part No.	Description	Qty.
1	F18C75	Key-Drive	1
2	DU15C13MC	Shaft & Pinion Assembly	1
3	F18E	Seal-Shaft	1
4	F11B	Bearing	2
5	F21E	Seal-Wiper	2
6	D1526F1	Rotor	1
7	D203A11	Case	1
8	F28E	O-Ring	1
9	PC262	Screw-Cover	8
10	D1530A11	Cover	1
11	SAE16	Plug	1
12	SE3916N70	O-Ring	1
13	F22SS2F	Gland	1
14	SE2138N70	O-Ring-Gland	1
15	F43C1	Roll Pin	1

Item	Part No.	Description	Qty.
16	E49D	Set Screw	1
17	E49E	Set Screw	1
18	SE2122N70	O-Ring	2
19	E64C	Lock Nut	1
20	F55C	Adjustment Screw	1
21	E68C	Gasket-Bonnet	1
22	F59C	Ring-Retaining	2
23	F57C	Bonnet	1
24	F56E	O-ring-Valve	3
25	F52S	Spring	1
26	F65C	Plug	2
27	F51C	Poppet	1
28	F50C	Cage	1
29	F55A	Valve Body	1
30	E90SC2.5	Screw-Valve	4

**15U - 15 GPM
Universal Relief Valve Pump**

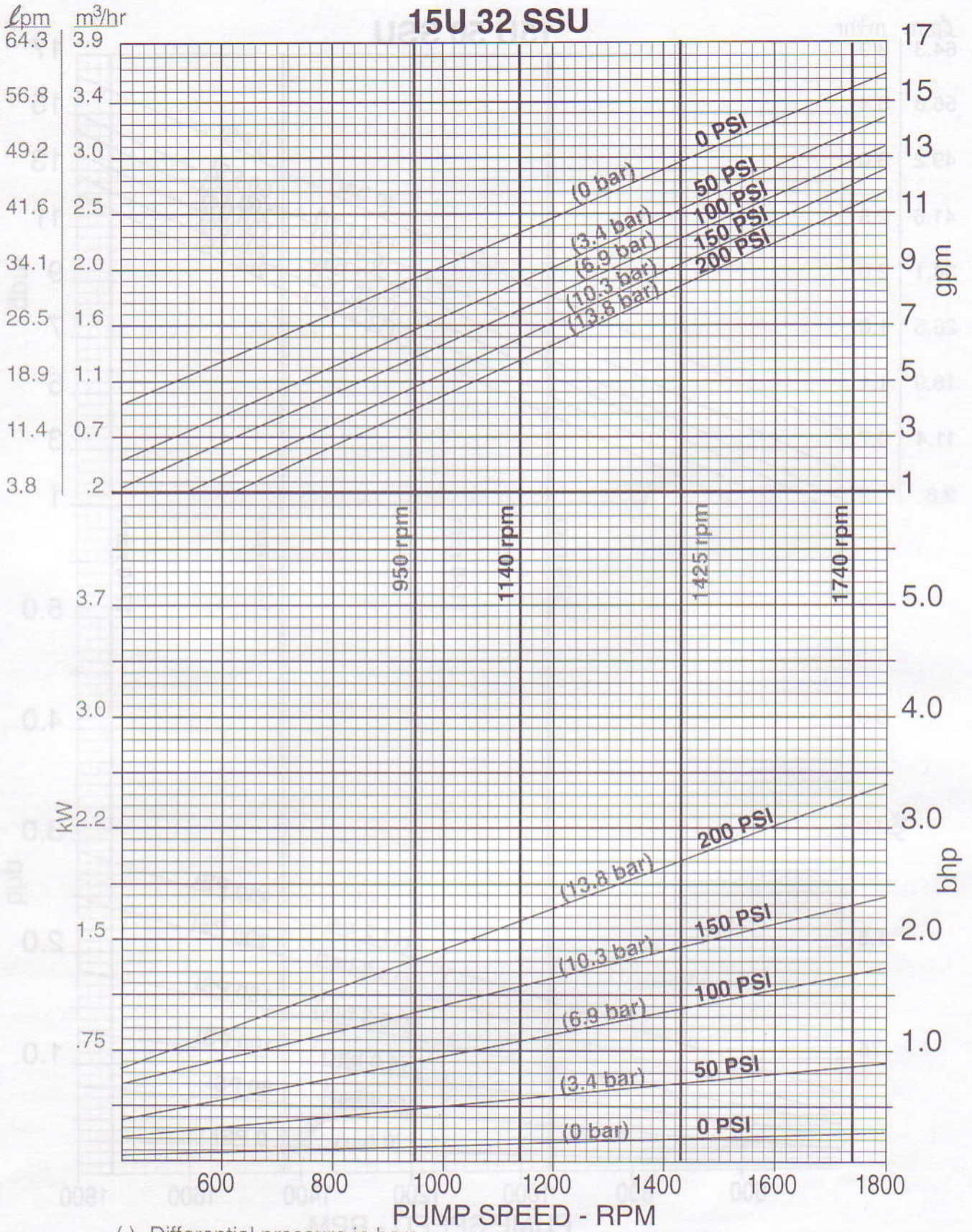


CUTAWAY VIEW
SHAFT END

CUTAWAY VIEW
BOTTOM

SHAFT END VIEW
ROTATION ARROW DENOTES
STANDARD CLOCKWISE ROTATION

15U 32 SSU



()=Differential pressure in bars

Z56SO Bracket for 10-40 gpm Square Flanged Pumps with 56-145 frame footed motor

MODEL	A	B	C	D	E	F	G	H	J	K
10U	12-5/16	8-1/16	7-13/32	1	7					
15U	12-5/16	8-1/16	7-13/32	1-1/4	7					
20U	12-5/16	8-1/16	7-13/32	1-1/4	7					
22U	12-7/16	8-1/32	7-13/32	1-1/2	7-3/8					
30U	12-7/16	8-1/32	7-13/32	1-1/2	7-3/8					
40U	12-7/16	8-1/32	7-13/32	1-1/2	7-3/8					
FRAME										
56						8-3/4	2-7/16	1-1/2	2-9/16	6-3/4
143						10	2-3/4	2	2-3/4	6-13/16
145						10	2-3/4	2-1/2	2-3/4	6-13/16

**Z56SO Bracket for
10-40 GPM Square Flanged Pumps**

