

HAIGHT PUMPS

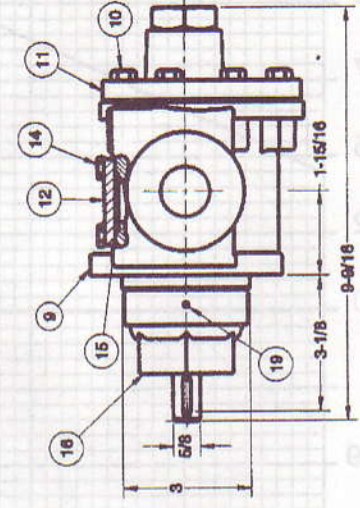
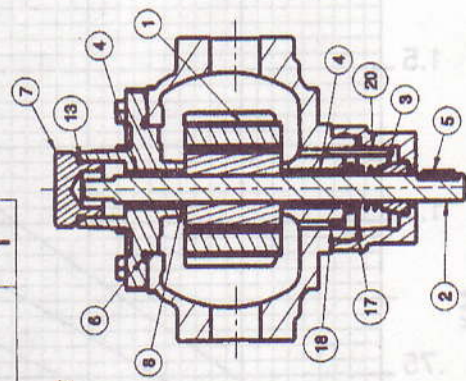
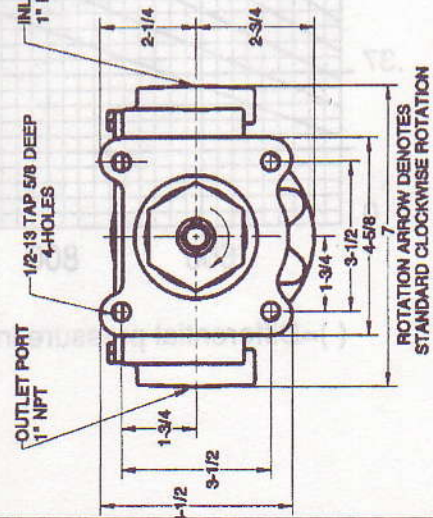
DIVISION OF: BAKER MANUFACTURING COMPANY

133 Enterprise Street • Evansville, WI 53536
 Phone: 800-871-9250 • Fax: 608-882-3777

10U - 10 GPM Universal Pump

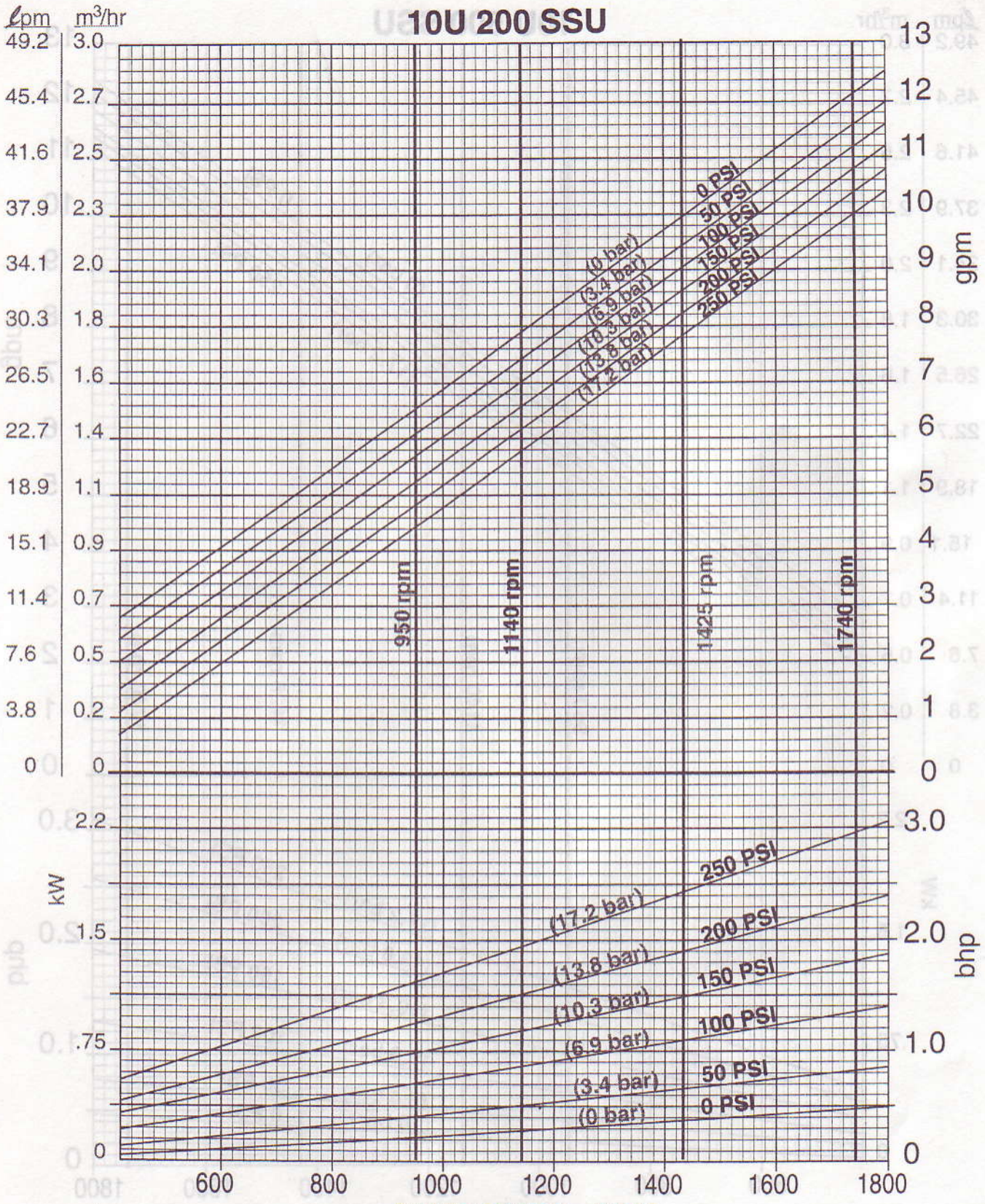
10U - 10 GPM Universal Pump

Item	Part No.	Description	Qty.
1	D1028F1	Rotor	1
2	DU10C13MC	Shaft & Pinion Assembly	1
3	F18AM	Shaft Seal	1
4	F11B	Bearing	2
5	F18C75	Drive Key	1
6	F28E	O-Ring, Cover	1
7	SAE16	Screw On Plug	1
8	F21E	Wiper Seal	2
9	D203A11	Case	1
10	E90HC.8	Screw, Cover	8
11	D1030A11	Cover	1
12	D1030CP	Cover Plate	1
13	SE3916N70	O-Ring, Screw On Plug	1
14	E90HC.6	Screw, Cover Plate	4
15	SE2122N70	O-Ring, Cover Plate	2
16	F22SS2F	Gland	1
17	E28V1	O-Ring, Gland	1
18	E49E	Set Screw, Vent	1
19	E49D	Set Screw, Gland	1
20	F43C1	Roll Pin	1



10U - 10 GPM Universal Pump

10U 200 SSU



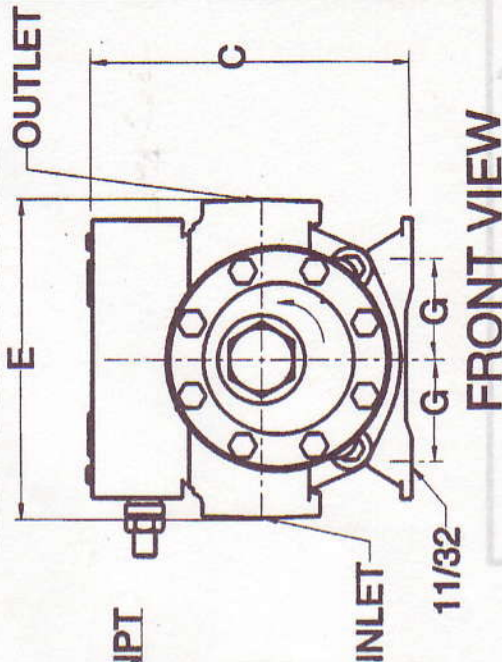
PUMP SPEED - RPM

()=Differential pressure in bars

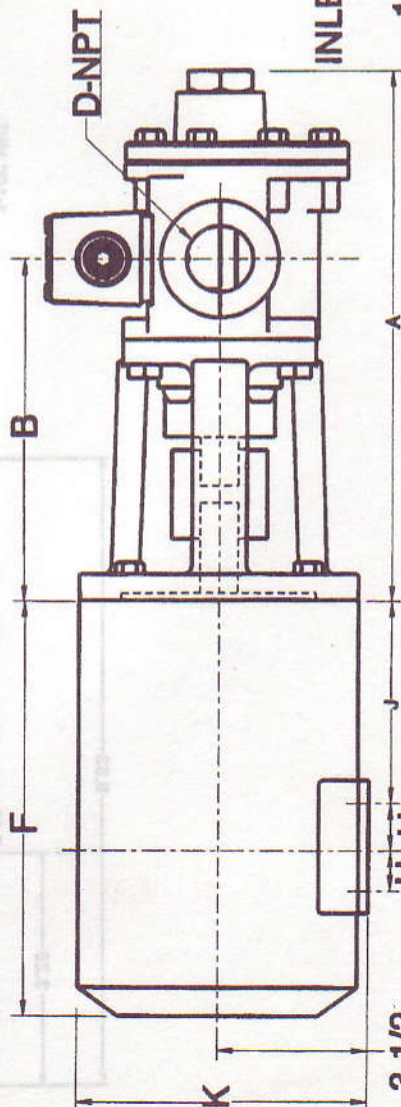
Z56SO Bracket for 10-40 gpm Square Flanged Pumps with 56-145 frame footed motor

	A	B	C	D	E	F	G	H	J	K
MODEL										
10U	12-5/16	8-1/16	7-13/32	1	7					
15U	12-5/16	8-1/16	7-13/32	1-1/4	7					
20U	12-5/16	8-1/16	7-13/32	1-1/4	7					
22U	12-7/16	8-1/32	7-13/32	1-1/2	7-3/8					
30U	12-7/16	8-1/32	7-13/32	1-1/2	7-3/8					
40U	12-7/16	8-1/32	7-13/32	1-1/2	7-3/8					
FRAME										
56						9-3/4	2-7/16	1-1/2	2-3/16	6-3/4
143						10	2-3/4	2	2-3/4	6-13/16
146						10	2-3/4	2-1/2	2-3/4	6-13/16

Motor Rotates
in Direction Shown



FRONT VIEW



LEFT SIDE