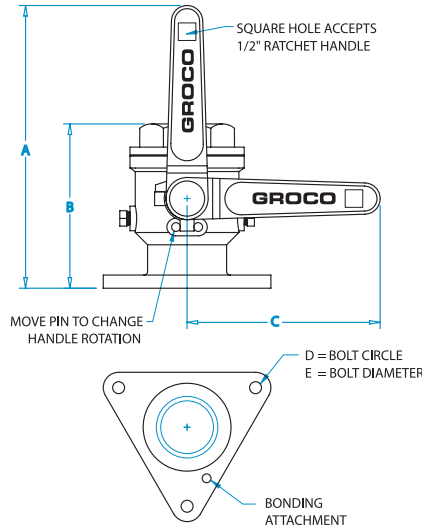


FULL-FLOW FLANGED BALL-TYPE SEACOCKS

U.S. PATENT NO. 7,000,896

BV SERIES

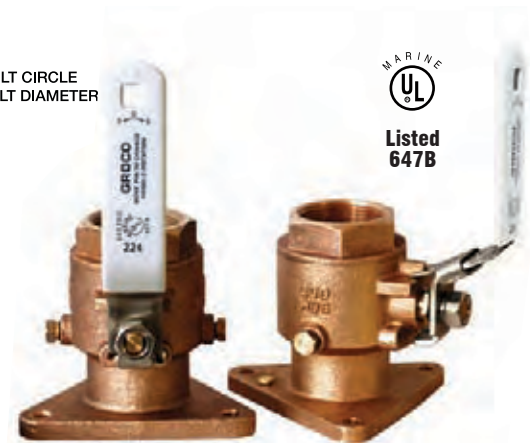
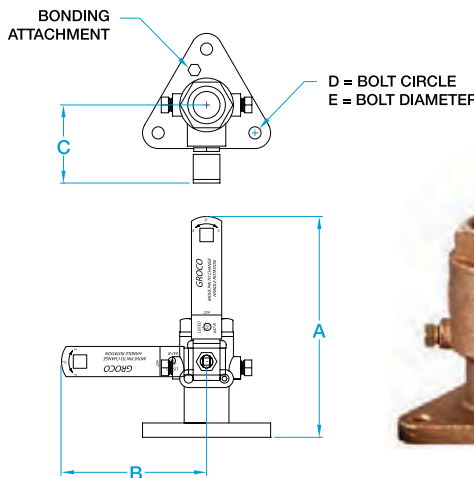
- Tri-flange base and mount hole pattern provide easy retrofit when replacing most popular brands.
- Patented selectable handle rotation.
- Handle has square hole to accept standard ratchet, to help reach valves in hard-to-reach locations and ease actuation of difficult to operate valves.
- Full flow.
- Stainless steel ball and stem.
- PTFE seats and seals.
- Serviceable while installed.
- Drain Plug on both sides.
- Base has bonding attachment.



MODEL	BOTTOM CONNECTION	TOP CONNECTION	A	B	C	D	E	WEIGHT	PKG
BV-750	3/4" NPS	3/4" NPT	5.75	3.50	3.8	3.12	5/16	2.3	1
BV-1000	1" NPS	1" NPT	6.63	4.13	4.4	3.38	5/16	3.5	1
BV-1250	1-1/4" NPS	1-1/4" NPT	7.00	4.50	4.4	3.62	5/16	4.6	1
BV-1500	1-1/2" NPS	1-1/2" NPT	8.00	4.63	5.5	4.50	5/16	6.0	1
BV-2000	2" NPS	2" NPT	8.38	5.25	5.5	5.00	3/8	10.0	1
BV-2500	2-1/2" NPS	2-1/2" NPT	10.31	6.75	6.5	5.88	3/8	13.0	1
BV-3000	3" NPS	3" NPT	13.50	7.75	9.5	7.00	3/8	24.0	1
BV-4000	4" NPS	4" NPT	19.20	9.60	14.1	8.00	1/2	52.0	1
BV-5000	5" NPS	5" NPT	19.90	11.20	14.1	11.00	5/8	91.0	1

FBV SERIES

- Patented field reversible handle allows you to select the closed position orientation (clockwise or counter-clockwise) that best suits the installation.
- Handle has square hole to accept standard ratchet, to help reach valves in hard-to-reach locations and ease actuation of difficult to operate valves.
- Full Flow.
- Triangular base with bolt pattern to match most popular brands makes retrofit easy.
- Stainless steel handle and hardware.
- Chrome plated solid brass ball.
- PTFE Seats and Seals.
- Bonding attachment on base.
- Drain plugs on both sides.



FBVL Series has locking mechanism

MODEL	BOTTOM CONNECTION	TOP CONNECTION	A	B	C	D	E	WEIGHT	PKG
FBV-750	3/4" NPS	3/4" NPT	6.14	3.92	2.40	3.12	5/16	1.9	2
FBV-1000*	1" NPS	1" NPT	6.98	4.40	2.60	3.38	5/16	2.6	2
FBV-1250	1-1/4" NPS	1-1/4" NPT	7.12	4.85	2.70	3.62	5/16	3.0	2
FBV-1500*	1-1/2" NPS	1-1/2" NPT	8.23	5.77	3.15	4.50	5/16	4.4	2
FBV-2000	2" NPS	2" NPT	10.14	7.53	3.54	5.00	3/8	6.2	2
FBV-2500	2-1/2" NPS	2-1/2" NPT	12.81	7.75	4.21	5.88	3/8	14.3	1
FBV-3000	3" NPS	3" NPT	14.85	9.02	6.99	7.00	3/8	23.2	1

*These sizes are available with locking handle. Order FBVL-1000 or FBVL-1500.