
**Large Yacht
Pressure System**

Paragon Senior (PSR)

**Large Yacht Parallel
Pressure System**

Parallelagon (PAR)

**Mid-Size Yacht
Pressure Systems**

Paragon Junior (PJR)

**Paragon Junior with
1-gallon Tank (PJR-A)**

**Paragon Junior with
Integral Tank (PJR-B)**

WSG-1

**Dry-Tank Protection
System for Pumps**

NOFLO™

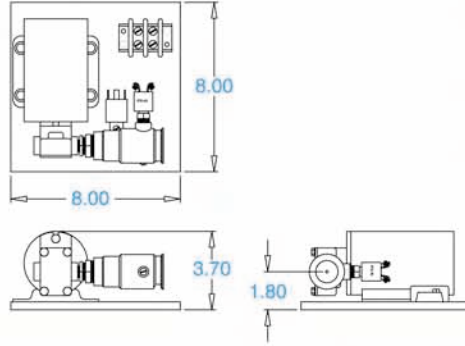


WATER PRESSURE

WATER PRESSURE SYSTEMS

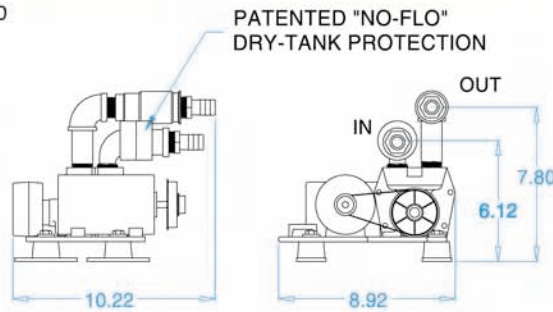
MODEL	YACHT SIZE	PRESSURE RANGE	MAX GPM	UL/CE	INCLUDES PRESSURE TANK	SELF PRIMING	BREAKER
WSG-1	Up to 40'	20-40	3.5	No	1-Gallon	Yes	25 @ 12V
PJR-A	Up to 50'	20-40	7.0	Yes	1-Gallon	Yes	30 @ 12V
PJR-B	Up to 50'	20-40	7.0	Yes	2-Gallon	Yes	30 @ 12V
PSR (DC)	Over 50'	30-50	11.0	Yes	Order Separately	Yes	50 @ 12V
PSR (AC)	Over 50'	30-50	11.0	No	Order Separately	Yes	50 @ 12V
400-0004	Over 50'	30-50	11.0	No	Order Separately	Yes	50 @ 12V

WSG-1



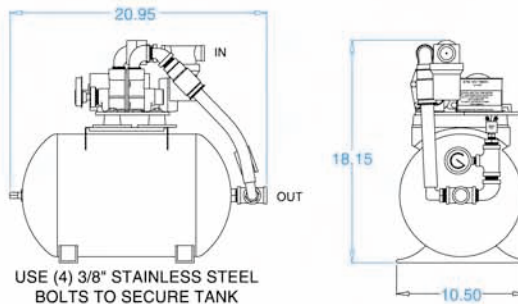
- Positive displacement gear pump.
- Smooth, quiet operation.
- 3/8" NPT inlet.
- Low AMP draw.
- Includes PST-1.

PJR-A SERIES



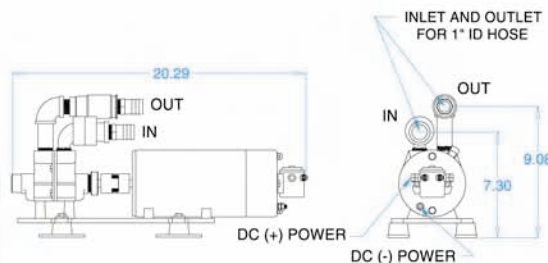
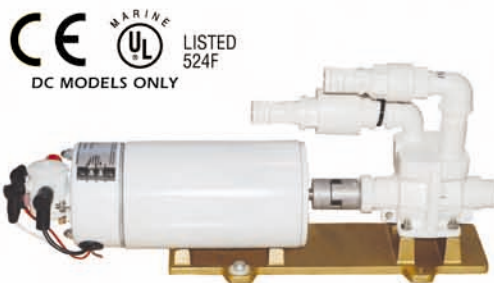
- Compact and powerful 2-stage rotary pump.
- Pressure gauge and 3/4" strainer included.
- Patented NOFLO™ Dry-run protection.
- Includes PST-1.
- Order Model PJR for pump without the tank.
NOTE: Tank is required for water pressure system application.

PJR-B SERIES



- Compact and powerful 2-stage rotary pump is tank-mounted, so installation is easy.
- Pressure gauge and 3/4" strainer included.
- Patented NOFLO™ Dry-run protection.

PSR SERIES



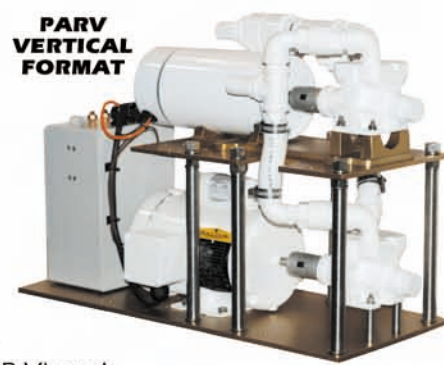
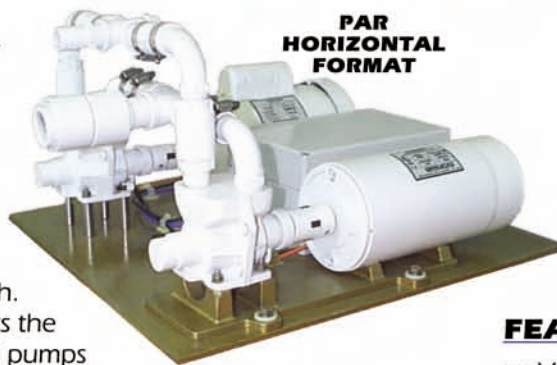
- Powerful 2-stage rotary pump.
- AC models available.
- Pressure gauge and 1" strainer included.
- Patented NOFLO™ Dry-run protection.
- Order PST-2, 3, 4 or 5 tank separately.

PARALLELAGON PARALLEL PUMPS SYSTEM FOR LARGE YACHTS

THE CONCEPT

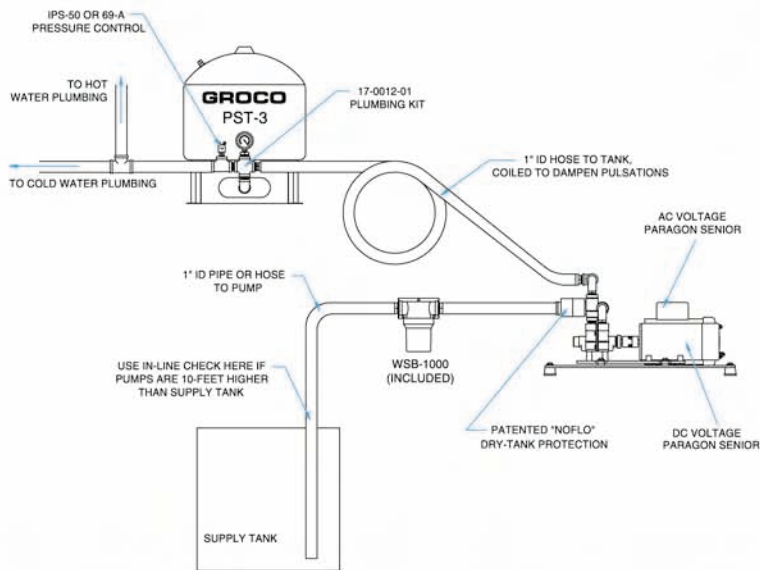
Big yachts demand big performance and require on-line back-up for all systems, plus the versatility to provide the conveniences of home, whether they are underway or at berth. PARALLELAGON answers the call with the first parallel pumps system, complete with a solid-state control system and patented NOFLO™ dry run protection.

Depending on the voltage present, either an AC pump or a DC pump provides uninterrupted operation, without actuating valves, switches or circuit breakers, and regardless of the available voltage. If AC power is present, the AC pump operates; if AC power is not present, the DC pump operates. The system control determines which voltage is present, and which pump to operate.



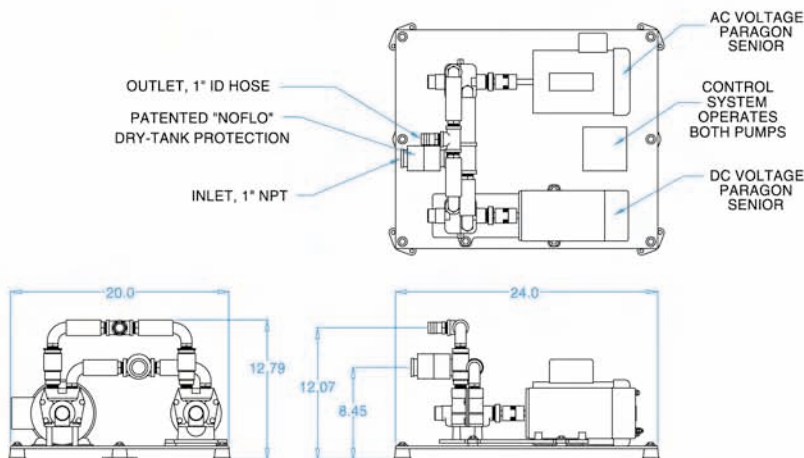
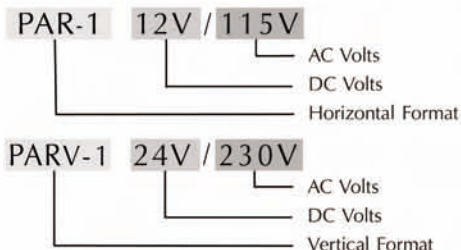
FEATURES

- Vertical (PAR-V) and horizontal (PAR) layouts are offered to meet your specific installation space availability.
- One "ignition protected" pressure control operates both pumps
- Patented NO-FLO™ dry-run protection system protects both pumps.
- Simplified plumbing - one inlet and one outlet connects PARALLELAGON to the vessel water system.
- Inlet strainer and oil-filled pressure gauge are included.
- Available with any combination of:
DC 12V, 24V
AC 115V, 230V, 50 Hz or 60 Hz

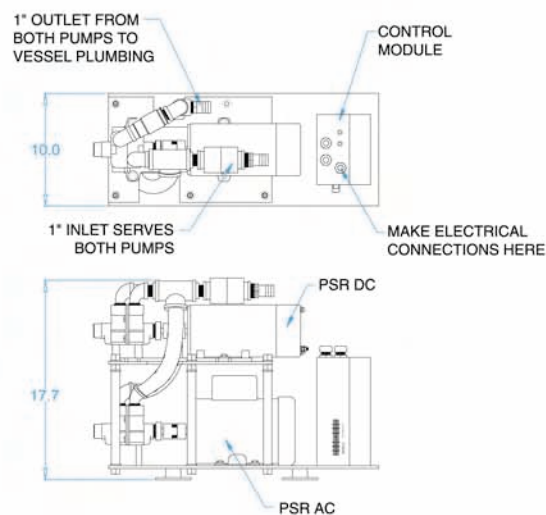


▲ PARALLELAGON SAMPLE INSTALL

HOW TO ORDER



▲ PARALLELAGON HORIZONTAL DIMENSIONS



▲ PARALLELAGON VERTICAL DIMENSIONS

PST SERIES - PRESSURE STORAGE TANKS

THE CONCEPT

A pneumatic pressure charge, matched to the pump cut on pressure prevents waterlogging by separating the air charge from system water pressure with a rubber bladder. The result is smooth pressure delivery, even temperature mix in showers, and reduced pump cycling. Tanks may be mounted in any position, and anywhere in the cold water plumbing after the pump. PST tanks may be used for fresh or salt water. Mount hardware is included. PST-6 has a pump stand for mounting PJR, WSC-60 or WSC-80 pump.

MODEL	DIAMETER	LENGTH	MOUNTING	PLUMBING	DRAWDOWN*	MAX PSI
PST-1	8.0"	12.63"	Straps	3/4" NPT	0.5 gallon	100
PST-2	11.0"	14.00"	Straps	3/4" NPT	1.4 gallons	100
PST-3A	15.4"	19.25"	Stand	3/4" NPT	3.0 gallons	100
PST-4	15.4"	24.00"	Stand	1" NPT	4.4 gallons	100
PST-5	15.4"	31.63"	Stand	1" NPT	6.3 gallons	100
PST-6	10.0"	17.10"	Stand	3/4" NPT	1.6 gallons	100

*Drawdown is measured with 20 PSI air charge and with 40 PSI system water pressure.

PST-1 AND PST-2



PST-3A, PST-4 AND PST-5



NOFLO™ DRY-TANK PROTECTION FOR PUMPS (PATENTED)



THE CONCEPT

Most pumps depend on the water being pumped for seal lubrication and impeller protection, and pressure pumps are controlled by a pressure switch that relies on the presence of water to deliver flow and pressure. When an interruption to the supply of water occurs, none of these functions work as intended, and if left undetected the pump is likely to run continuously, resulting in drained batteries, pump damage, or both.

Standard equipment on Paragon Junior, Paragon Senior and Parallelagon pumps, NOFLO™ is a patented system designed to recognize an interruption to the flow of water to your pump of greater than 30-seconds duration, and to safely shut off the pump. There are no moving parts or probes into the water path, and NOFLO™ works with any pump type (centrifugal, vane, rotary, etc.), or any pump material (bronze, stainless steel, plastic, etc.).

Model	Plumbing NPT	On-Off Control
NOFLO-7500	3/4"	Any NC Pressure Switch or Toggle Switch
NOFLO-1000	1"	Any NC Pressure Switch or Toggle Switch

HOW IT WORKS

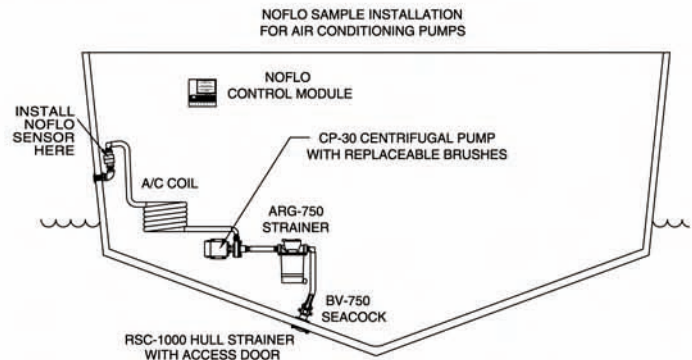
The conductivity of water is utilized to recognize the presence or absence of water. The control translates the information received from the NOFLO™ sensor, and either permits the pump to run, or disables it.

In the event of a shutdown, pump operation is not automatically re-started, but may be resumed only after the cause for the interruption of flow has been resolved, and the control reset by briefly interrupting power at the breaker panel.

The NOFLO™ control module operates on any DC input from 12V to 32V, and has an internal relay that will provide power to a DC pump motor (20 amps max@12VDC). AC pumps require an additional relay or solenoid.

NOFLO™ may be used with or without external pump control (pressure switch or on-off switch).

Maximum water temperature is 240° F.



▲ NOFLO™ SAMPLE INSTALLATION FOR AIR CONDITIONING SYSTEMS