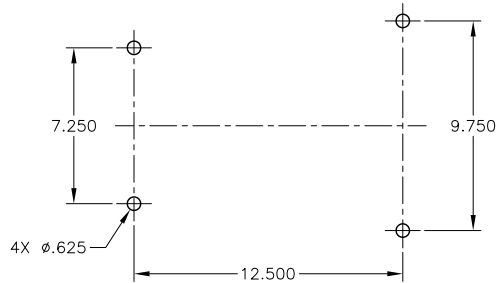
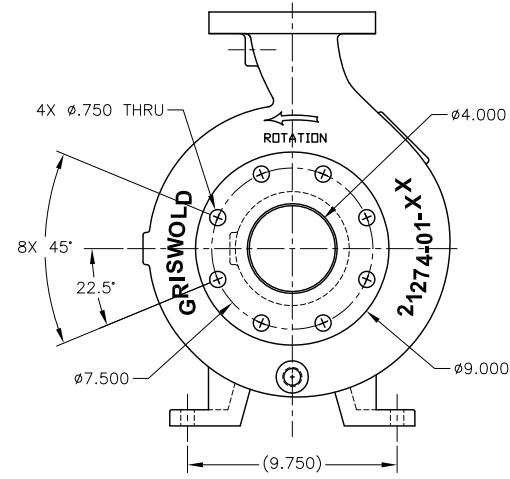
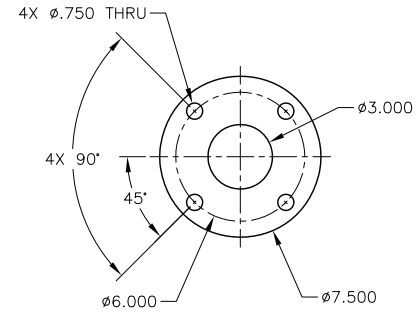
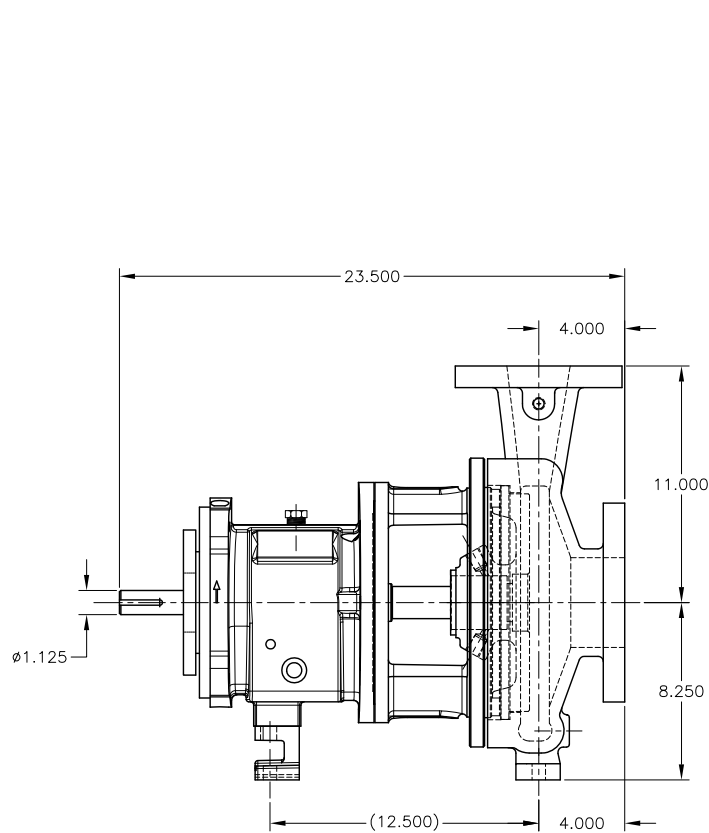


CAD generated and maintained drawing. All printed and electronic copies outside of Griswold's engineering database are "Uncontrolled" and shall be used for reference only.

REV.	DESCRIPTION	BY	APP.	DATE
A	ASSEMBLY, 4 X 3-10 A70 ANSI		M.H.	

NOTES: UNLESS OTHERWISE SPECIFIED

1. DIMENSIONS AND TOLERANCES PER ANSI Y14.5M-1982.
2. \* INDICATES DIMENSIONS AND/OR FEATURES MODIFIED ON CURRENT REVISION LEVEL.



THIS DOCUMENT AND ITS CONTENTS ARE PROPRIETARY TO WILSON PUMP AND ENGINEERING CO. ANY REPRODUCTION, DISCLOSURE OR USE OF THIS DOCUMENT IS EXPRESSLY PROHIBITED EXCEPT AS OTHERWISE AGREED TO IN WRITING.

DO NOT SCALE DRAWING	
UNLESS OTHERWISE SPECIFIED DIMENSIONS ARE IN INCHES	
TOLERANCES ARE:	
FRACTIONS	± -
DECIMALS .XX	± -
.XXX	± -
ANGLES	± -
SCALE 1/1	SHEET 1 OF 1

**GRISWOLD**

GRISWOLD PUMP COMPANY  
22080 VAN BUREN ST.  
GRAND TERRACE, CA 92313  
PHONE: (800) 843-2223, FAX: (800) 752-2928

TITLE ASSEMBLY, 4 X 3 - 10 A70 ANSI

DRAWN BY M. HIATT	DATE 05/03/10	ASSY. NO.
CHECKED BY	DATE	DRAWING NO.
APPROVED BY	DATE	4310A70 A

REV.