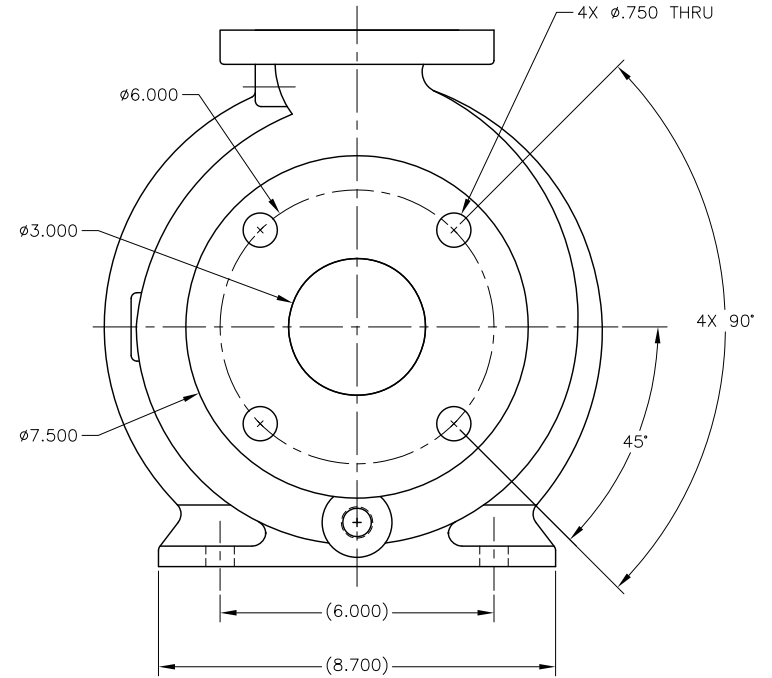
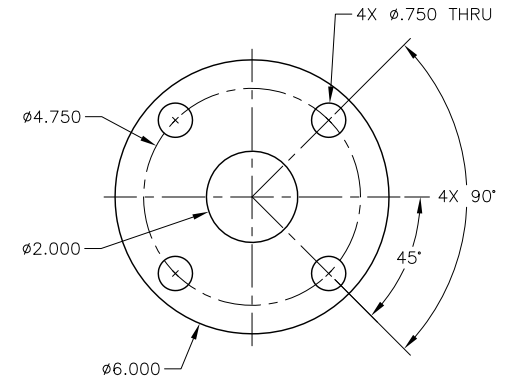
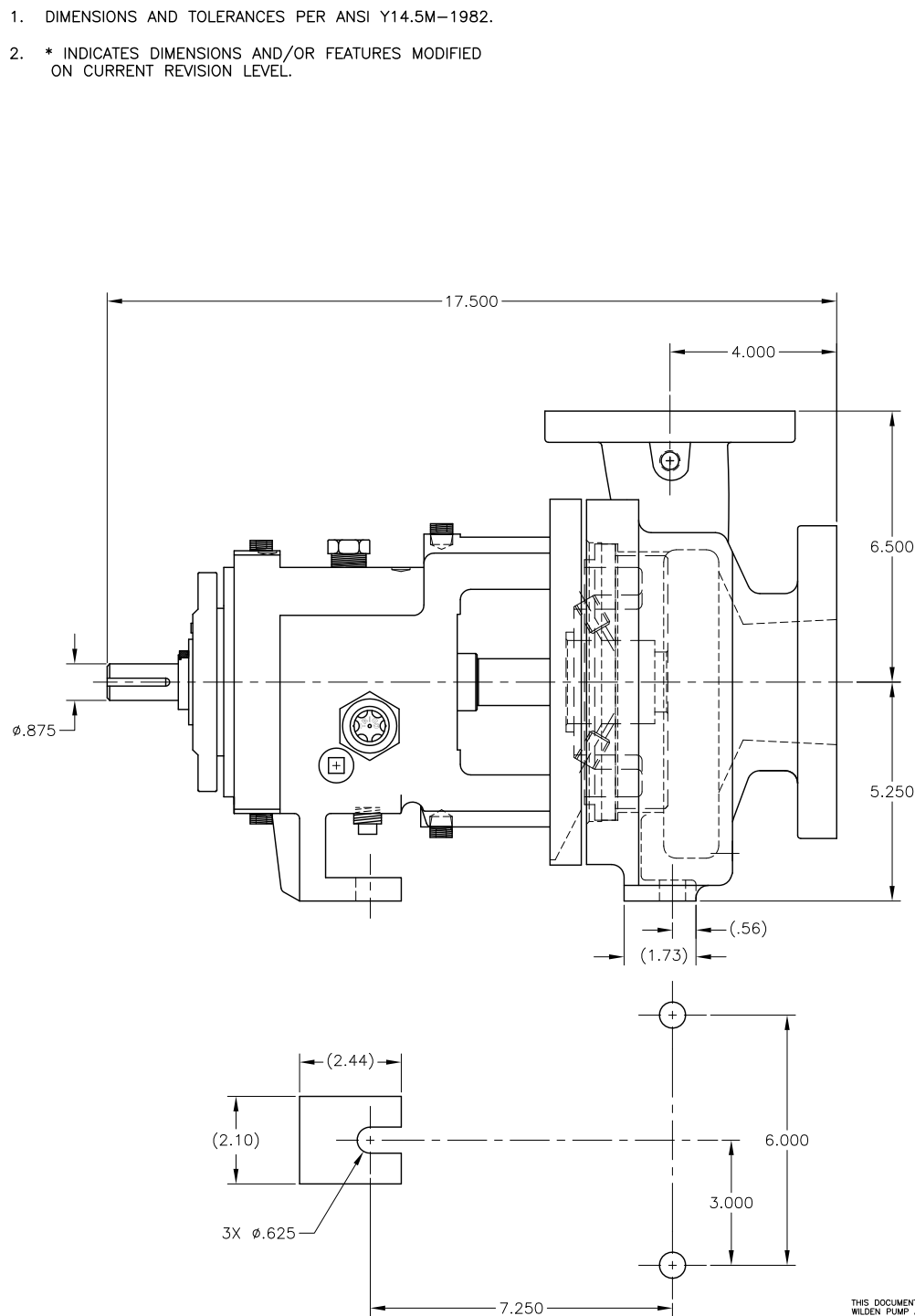


REV.	DESCRIPTION	BY	APP.	DATE
A	3 x 2 - 6 AC ANSI ASSEMBLY	M.H.		

NOTES: UNLESS OTHERWISE SPECIFIED

1. DIMENSIONS AND TOLERANCES PER ANSI Y14.5M-1982.
2. \* INDICATES DIMENSIONS AND/OR FEATURES MODIFIED ON CURRENT REVISION LEVEL.



DO NOT SCALE DRAWING		<b>GRISWOLD</b>		GRISWOLD PUMP COMPANY	
UNLESS OTHERWISE SPECIFIED				22000 WILBUR ST	
DIMENSIONS ARE IN INCHES				GRAND TERRACE, CA 92313	
TOLERANCES ARE:				PHONE: (800) 843-9222, FAX: (800) 752-2829	
FRACTIONS	± -	TITLE		ASSEMBLY, 3 x 2 - 6 AC ANSI	
DECIMALS .XX	± -	DRAWN BY		M. HIATT	DATE
.XXX	± -	CHECKED BY			DATE
ANGLES	± -	APPROVED BY			DATE
SCALE	1/1	SHEET	1 OF 1	ASSY. NO.	
				DRAWING NO.	326AC
					REV.
					A

THIS DOCUMENT AND ITS CONTENTS ARE PROPRIETARY TO WILDEN PUMP AND ENGINEERING CO. ANY REPRODUCTION, DISCLOSURE OR USE OF THIS DOCUMENT IS EXPRESSLY PROHIBITED EXCEPT AS OTHERWISE AGREED TO IN WRITING.