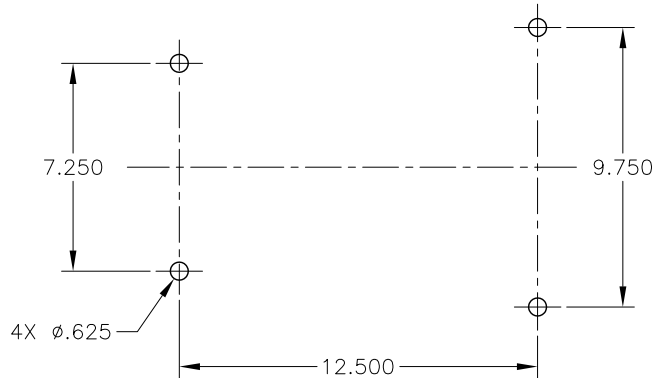
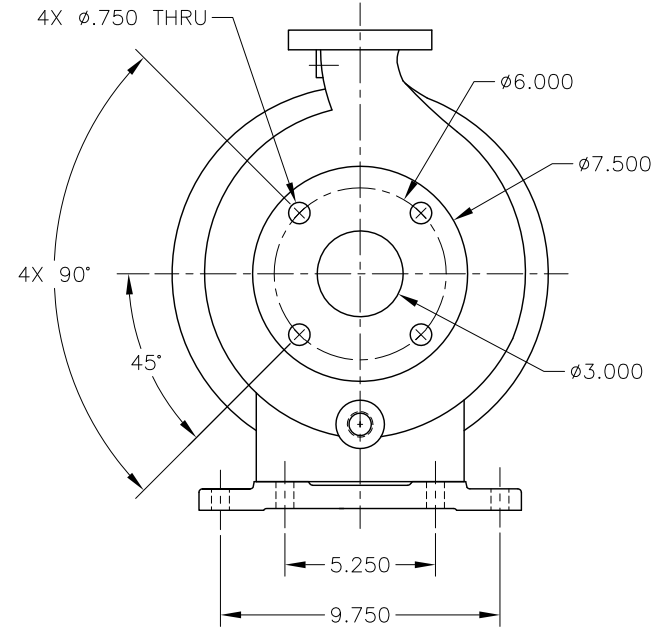
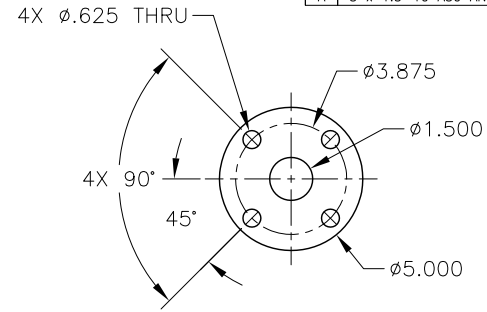
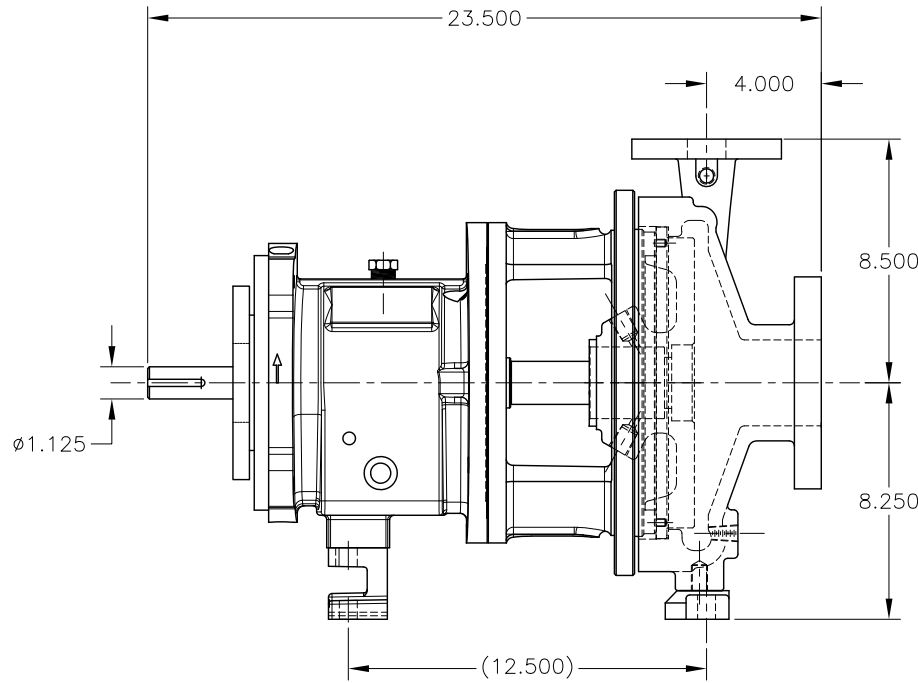


CAD generated and maintained drawing. All printed and electronic copies outside of Griswold's engineering database are "Uncontrolled" and shall be used for reference only.

NOTES: UNLESS OTHERWISE SPECIFIED

1. DIMENSIONS AND TOLERANCES PER ANSI Y14.5M-1982.
2. \* INDICATES DIMENSIONS AND/OR FEATURES MODIFIED ON CURRENT REVISION LEVEL.

REV.	DESCRIPTION	BY	APP.	DATE
A	3 x 1.5-10 A50 ANSI ASSEMBLY	M.H.		



THIS DOCUMENT AND ITS CONTENTS ARE PROPRIETARY TO WILSON PUMP AND ENGINEERING CO. ANY REPRODUCTION, DISCLOSURE OR USE OF THIS DOCUMENT IS EXPRESSLY PROHIBITED EXCEPT AS OTHERWISE AGREED TO IN WRITING.

DO NOT SCALE DRAWING	
UNLESS OTHERWISE SPECIFIED DIMENSIONS ARE IN INCHES	
TOLERANCES ARE:	
FRACTIONS	± -
DECIMALS .XX	± -
.XXX	± -
ANGLES	± -
SCALE 1/1	SHEET 1 OF 1

**GRISWOLD**

GRISWOLD PUMP COMPANY  
 22080 VAN BUREN ST.  
 GRAND TERRACE, CA 92313  
 PHONE: (800) 943-9223, FAX: (800) 752-2929

TITLE		ASSEMBLY, 3 X 1.5-10 A50 ANSI	
DRAWN BY	M. HIATT	DATE	10/09/08
CHECKED BY		DATE	
APPROVED BY		DATE	
ASSY. NO.		DRAWING NO.	
		31.510A50	
		REV. A	