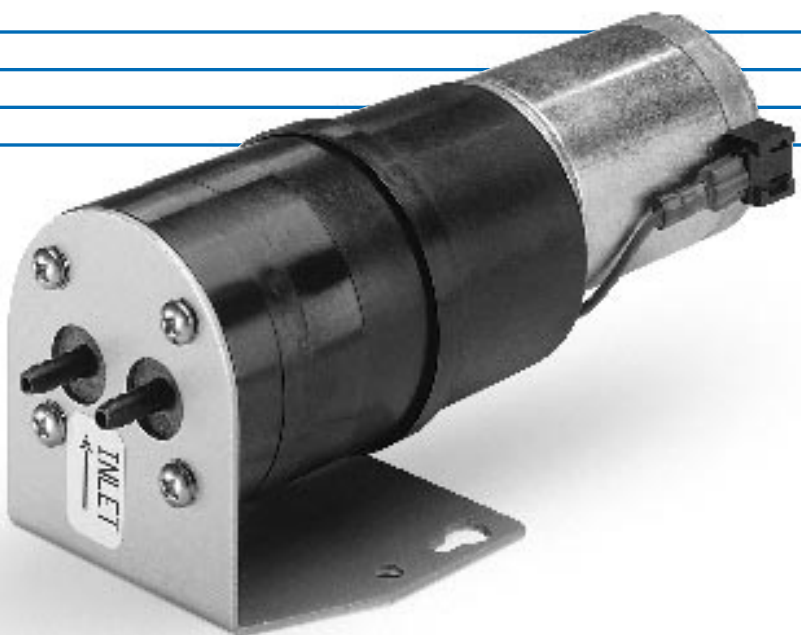


1000 Series

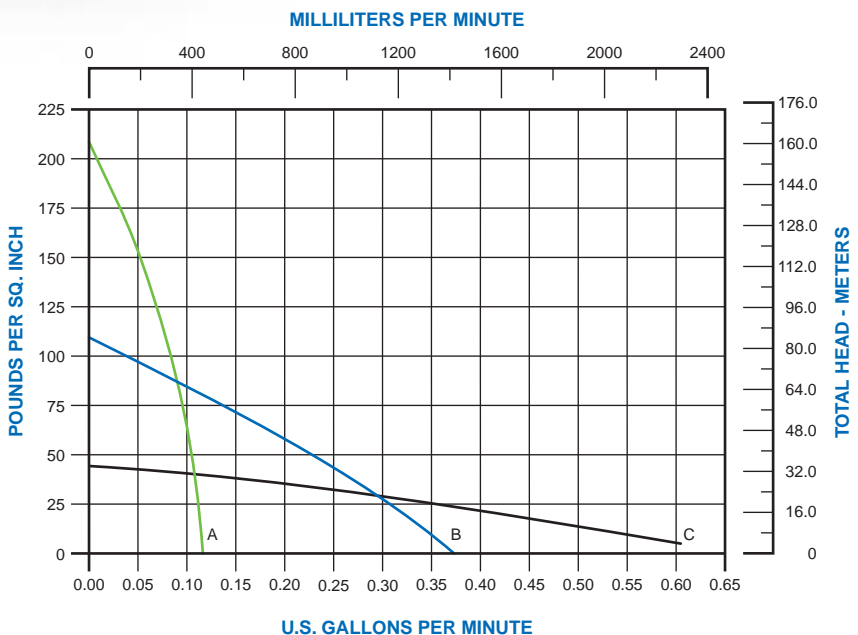


Pump Specifications:

- Flow Rates** — Range to .50 gpm; maximum pressure 200 psi
- Motor** — 12VDC, nominal, reversible, brush
- Fluid Temperature** — To 180°F (82°C)

Materials in Contact with Solution:

- Body** — PPS Polymer
- Seal** —
 - a. Carbon and Ceramic faces with 302 Stainless Steel spring
 - b. PPS Polymer (Ryton®) spring/ seal retainer
- Shafts** — 630 Stainless Steel
- Hose Connectors** — PPS Polymer (Ryton®)
- Gears** — PPS Polymer (Ryton®)
- O-Rings (Elastomers)** — Nitrile



A - 12VDC curve (.080" gears).
 B - 12VDC curve (.264" gears).
 C - 12VDC curve (.537" gears).

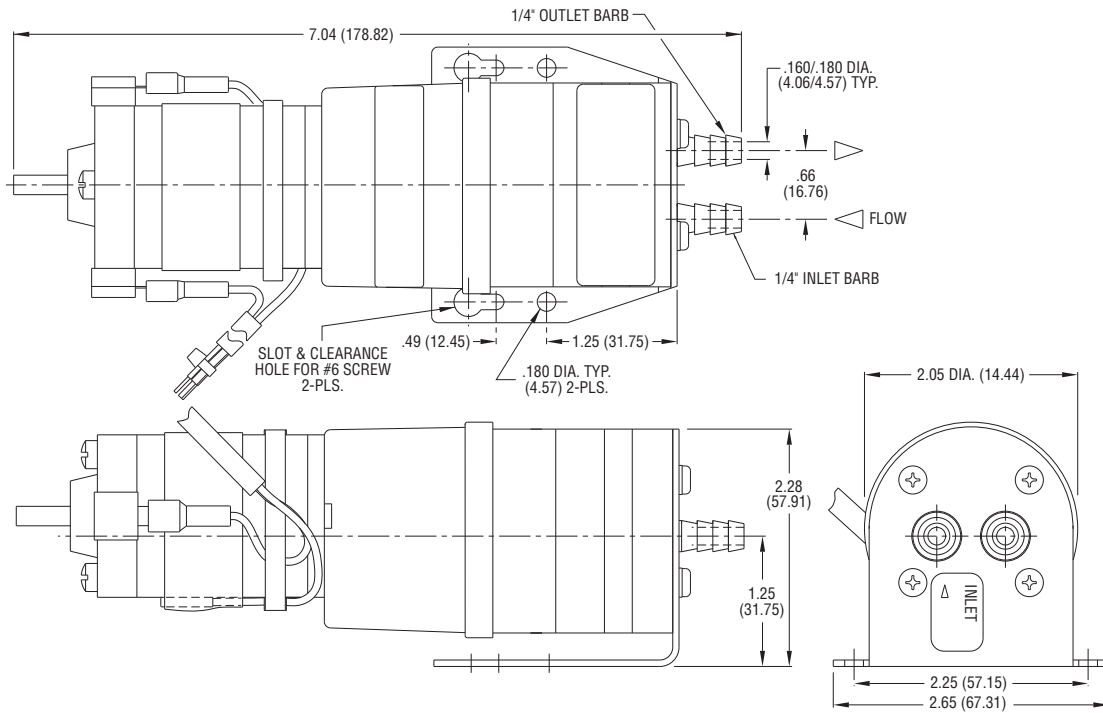
MODEL SPECIFICATIONS

Model Number	Series	Volts	Motor Type	Gear Thickness	Typical Curve	Approx. Wt.
					12VDC	
19001-001	1000	12VDC	Brush	.080"	A	1.7 lbs.
19001-002	1000	12VDC	Brush	.264"	B	1.7 lbs.
19001-003	1000	12VDC	Brush	.537"	C	1.7 lbs.

Note: Motor amps affected by flow rate. Consult factory for specs.

GEAR PUMPS - TYPICAL DIMENSIONS

1000 Series Model



OEM Options

O-Rings

- (Elastomers)** — a. EPT/EPDM
b. Viton®/Fluoroelastomer
c. Aflas®

Hose

- Connectors** — PPS Polymer (Ryton®)
a. 1/8" hose barb
b. 1/4" hose barb
c. 3/8" hose barb

- Gears** — PPS Polymer (Ryton®) —
3 different gear sizes
available

- Motors** — 24VDC brush